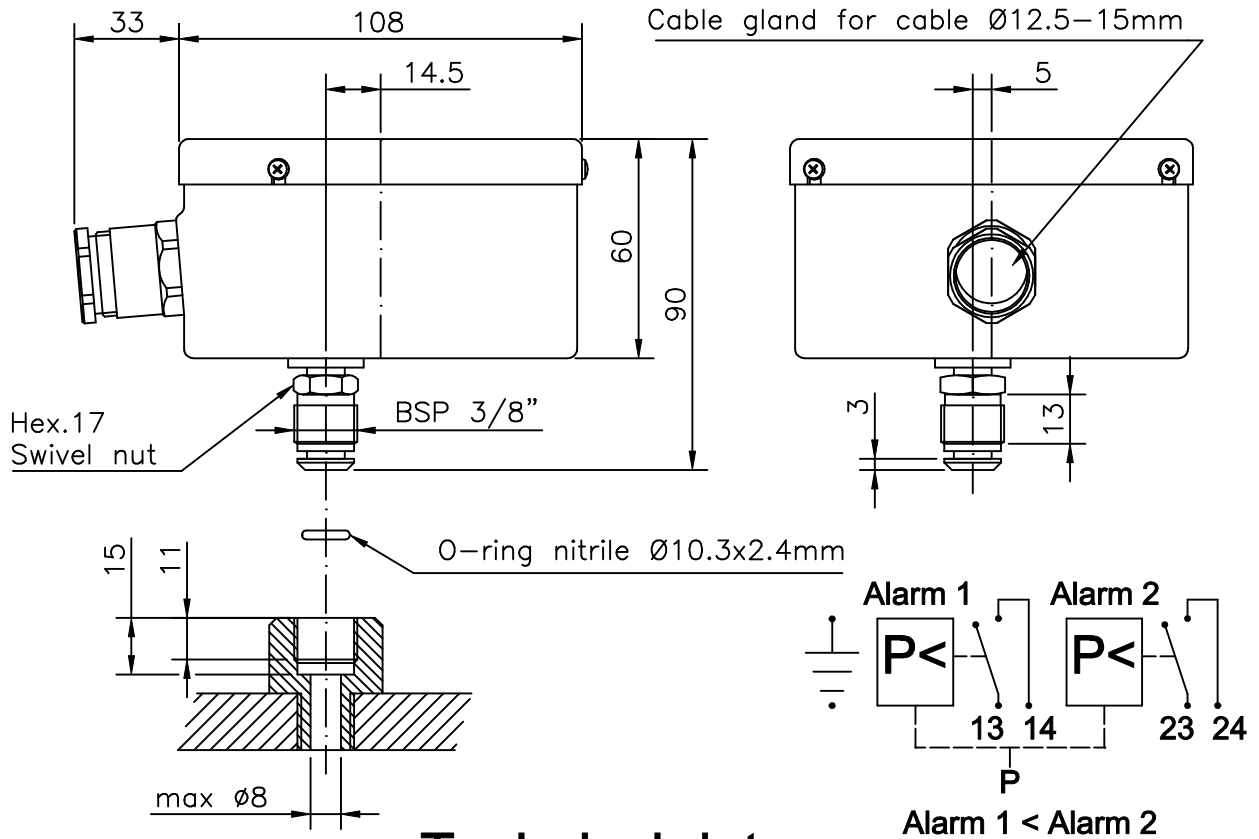


No.	Qty.	Type of revision	Date	Intro.	Appr.
1	1	Redrawn	98-11-04	PL	



Technical data

Type number	AKM 47500-"alarm 1 / alarm 2" (ex. AKM-47500-25/30)
Switching range	10-50 kPa (in type no.)
Switching accuracy	±3 kPa
Switching differential	Max. 5 kPa
Switch types	Microswitches 5A 250 VAC 0.3A 110 VDC L/R=10ms
Ambient temperature	Max +80°C, min -40
Pressure	Min -50kPa Max +200kPa
Insulation test	2000V 50Hz to earth 60s
Protection class	IP 54
Materials	Process media contacted part off brass and tombak

Item ref.	Qty.	Name	Material	Mod.-no. Blank Dimension	Anm.
Designed by	Drawn by PL	Approved by	Weight 565g	Scale 1:2	Replace 47500E av den 940307
AB KIHLESTRÖMS MANOMETERFABRIK STOCKHOLM SWEDEN		Pressure monitor			File 47500e Date 98-11-10 Drawing no. 47500E