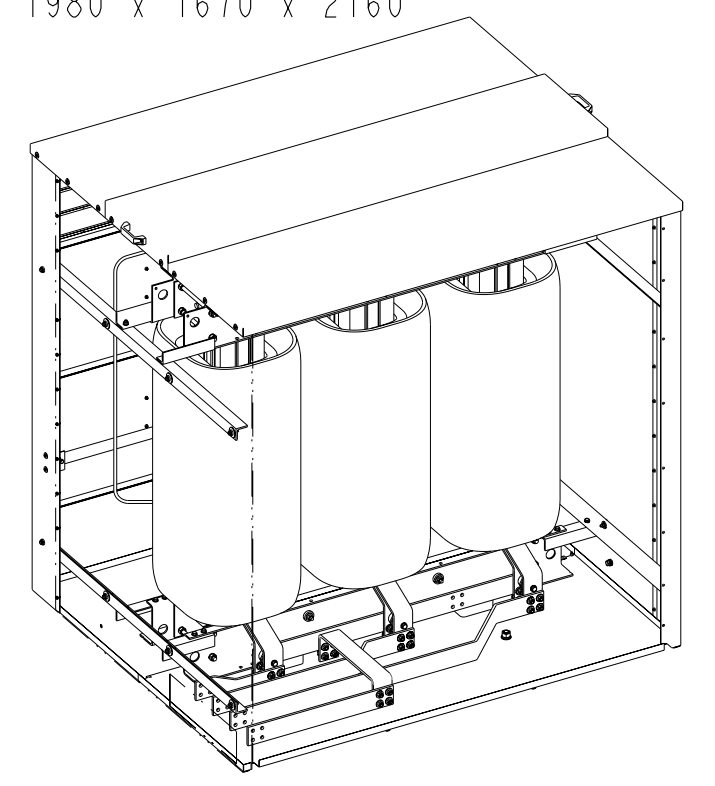


max. Dimensions / max. Abmessungen
1980 x 1670 x 2160

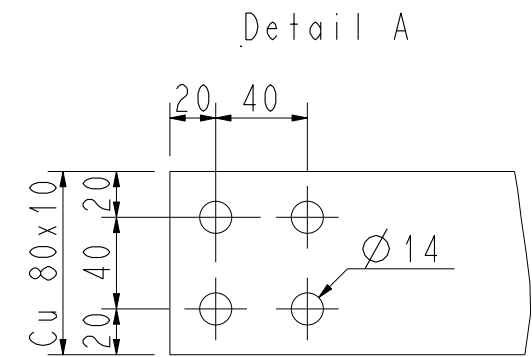
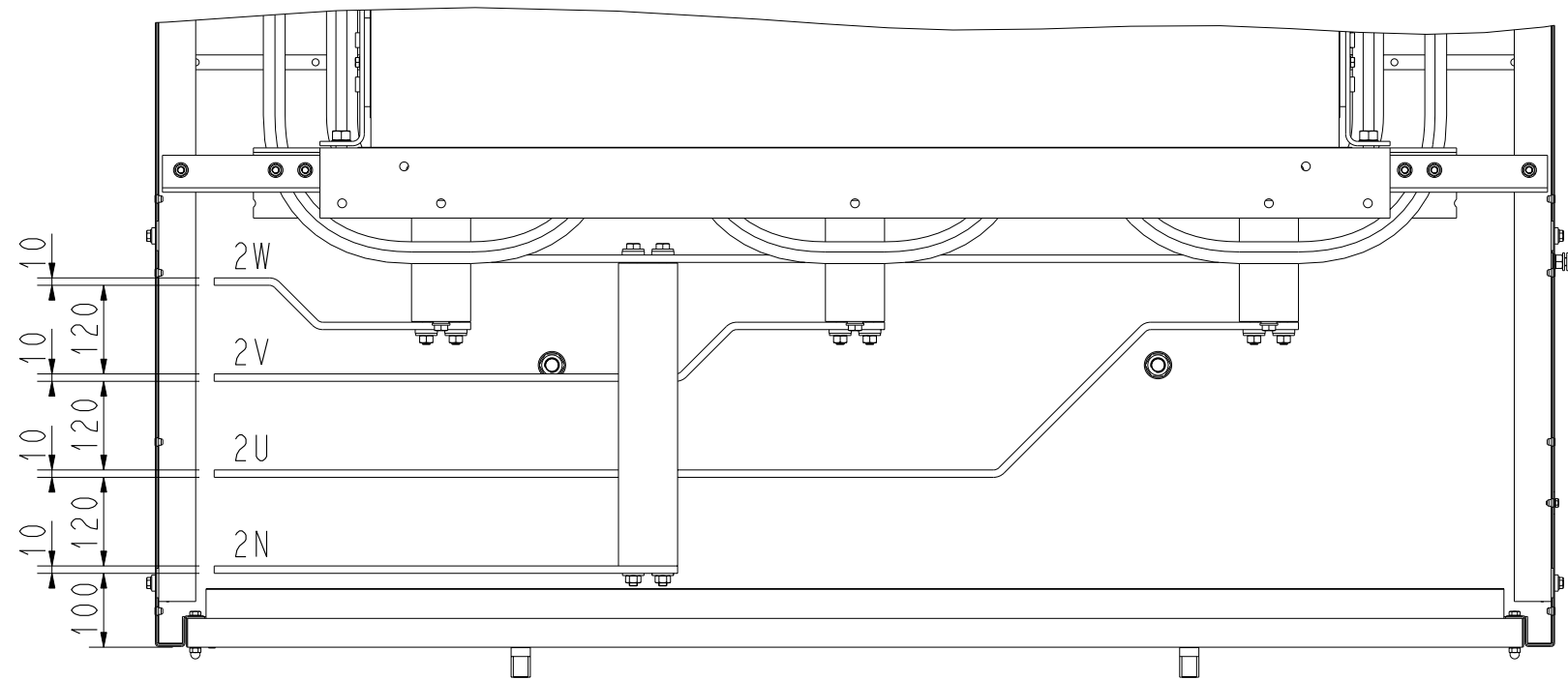
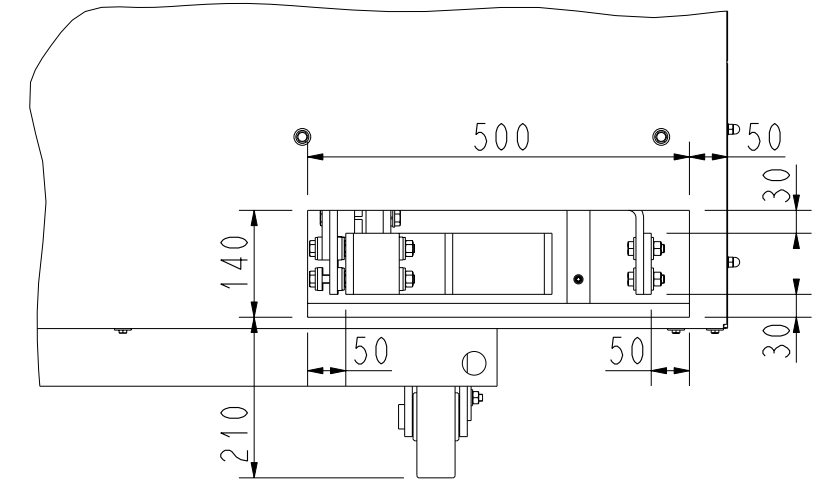
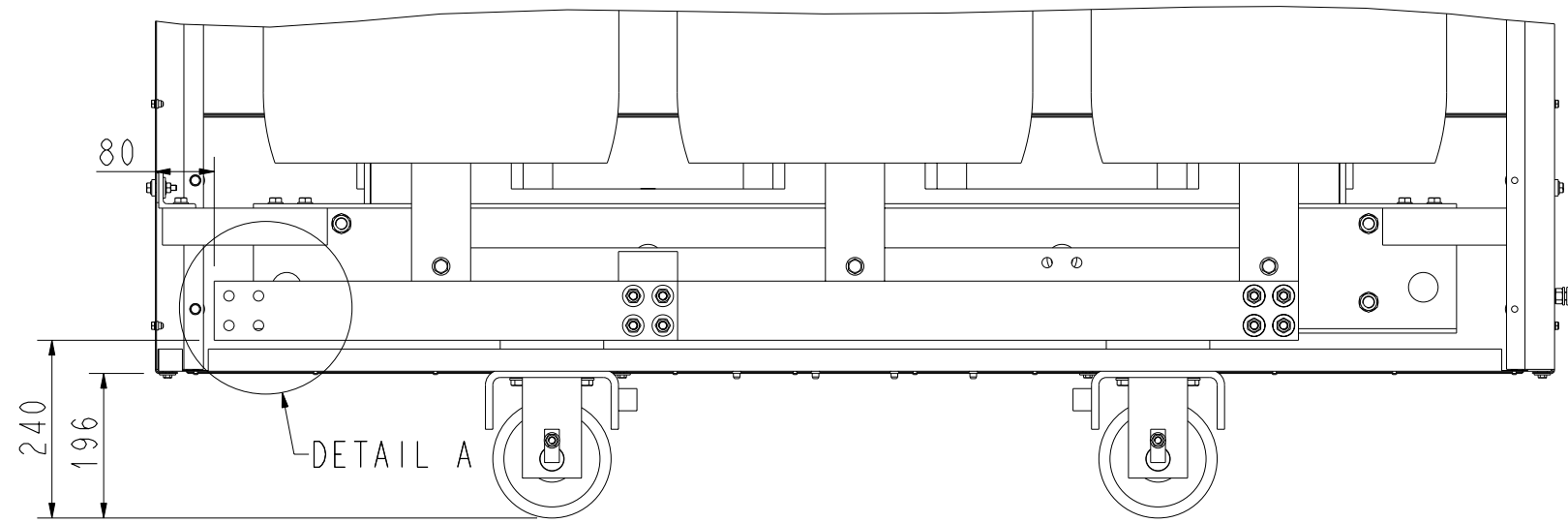


for information only !

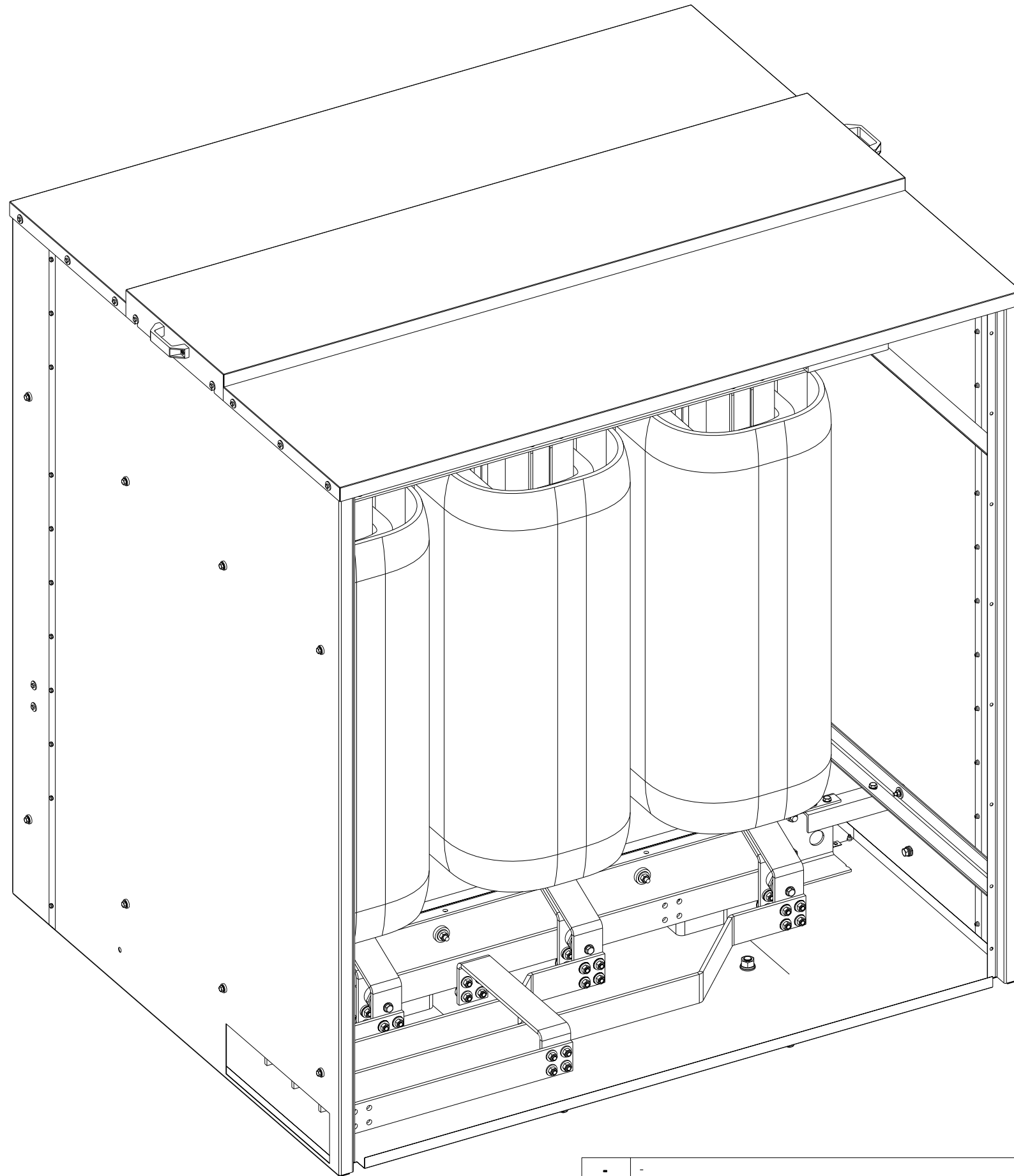
1	HV connection / OS Anschluss
2	LV connection / US Anschluss
2N	LV starpoint / US Sternpunkt
3	Earthing M12 / Erdung M12
4	Rating plate / Leistungsschild

3-Phase Dry-Type Transformer / 3-Phasen Trockentransformator	
Type / Typ RESIBLOC	
Rated power / Leistung	[kVA] 1000
Rated voltage HV / Spannung OS	[V] 22000 ±2x2.5%
Rated voltage LV / Spannung US	[V] 400
Vector group / Schaltgruppe	Dyn5
Protection mode / Schutzart	IP23
Frequency / Frequenz	[Hz] 50
Insulation class / Isol.Klasse	F
Total weight / Gesamtgewicht	[kg] 3400

RevInd	Revision	Appd	Date
Prepared <i>A. Sattler</i>	Date 22.04.2004	Responsible department BT	Title Customer drawing
Approved	Date	Take over Department	File: <auftrag>\trafo\massbild.drw
ABB Transformatoren GmbH			Document No. 14200 1636/A
			Language de
			Sheet 1/3



RevInd	-	Revision	-	Appd	-	Date	-
Prepared	<i>A. Sattler</i>	Date	22.04.2004	Responsible department	BT	Title	File: <auftrag>\trafo\massbild.drw
Approved		Date		Take over Department		Customer drawing	Language de
ABB Transformatoren GmbH						Document No.	14200 1636/A
						Sheet	2/3



-	-	-	-
RevInd	Revision	Appd	Date
Prepared <i>A. Sattler</i>	Date 22.04.2004	Responsible department BT	Title Customer drawing
Approved	Date	Take over Department	File: <auftrag>\trafo\massbild.drw
ABB Transformatoren GmbH			Document No. 14200 1636/A
			Language de
			Sheet 3/3