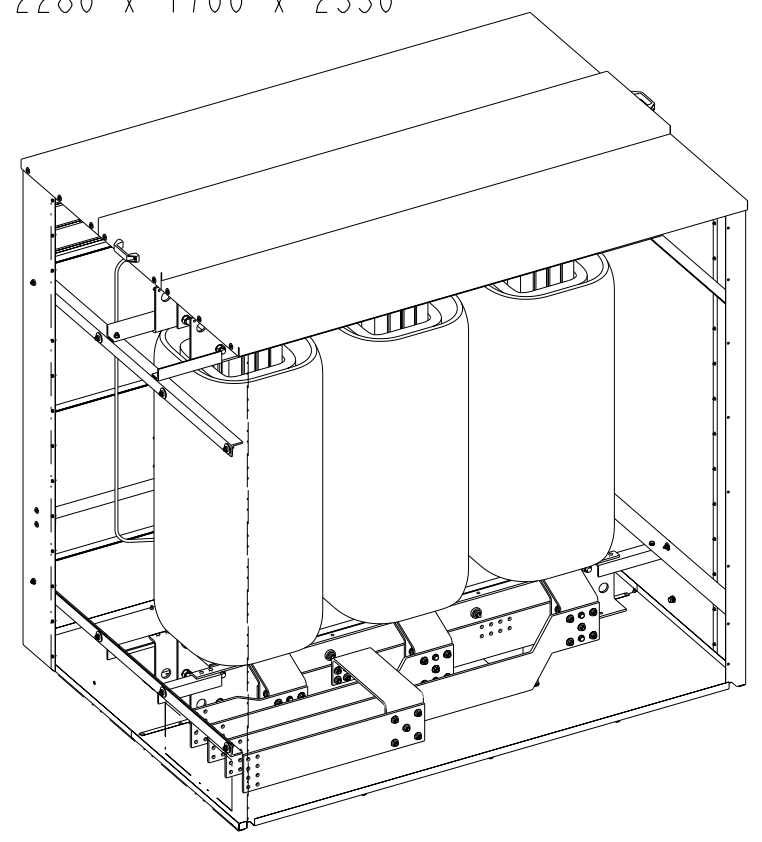
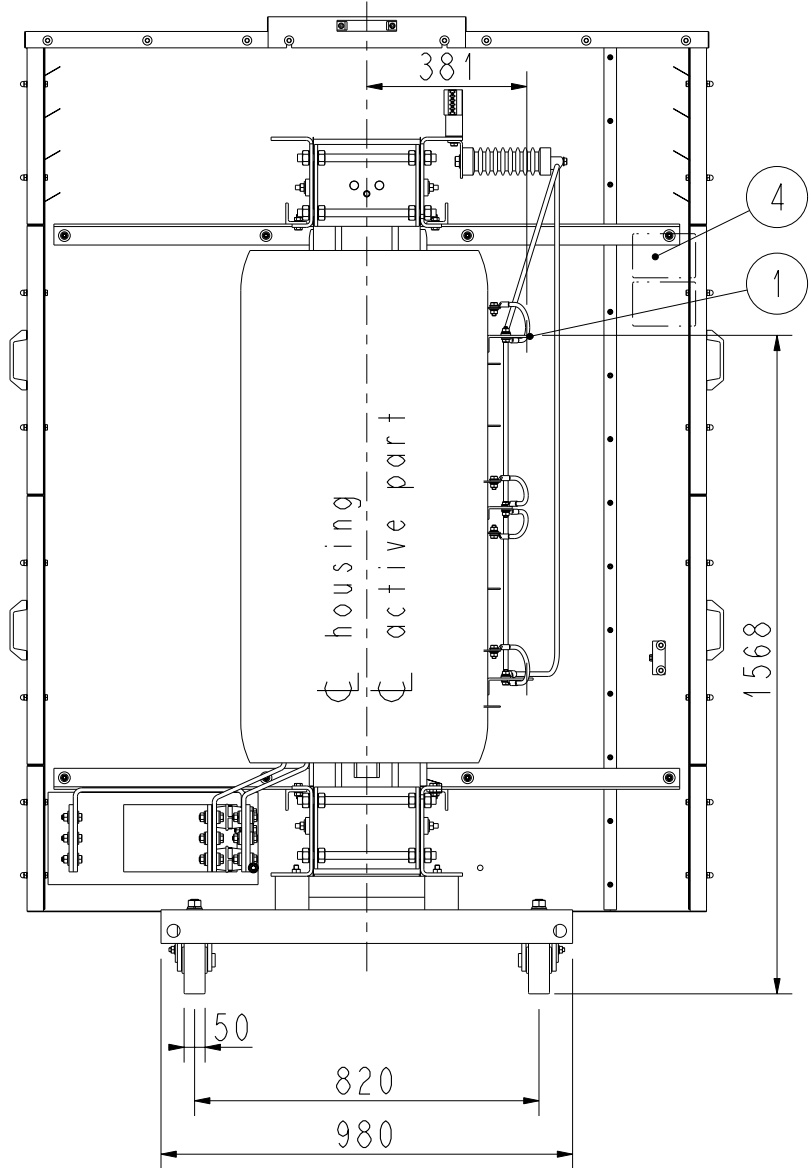
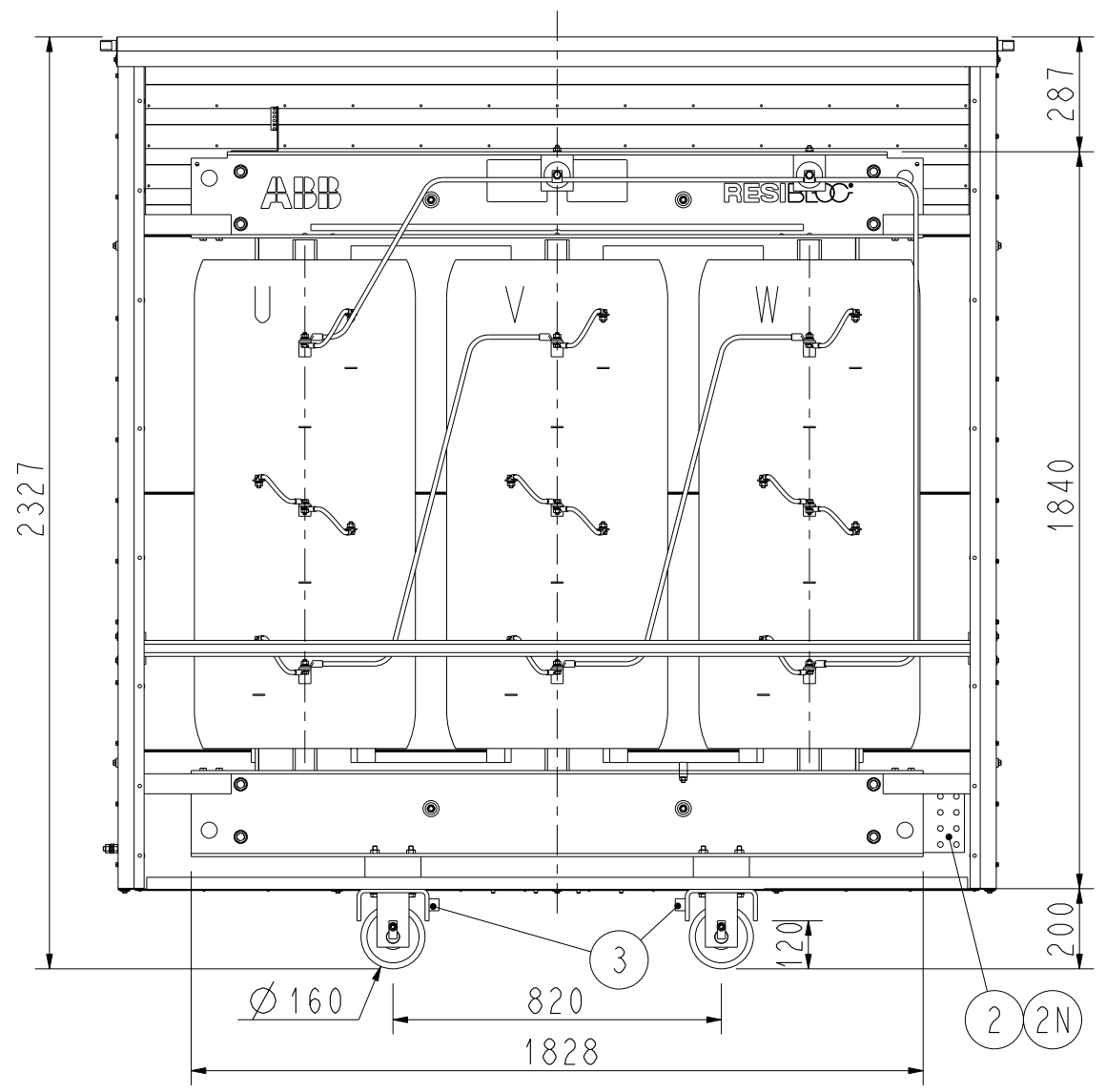
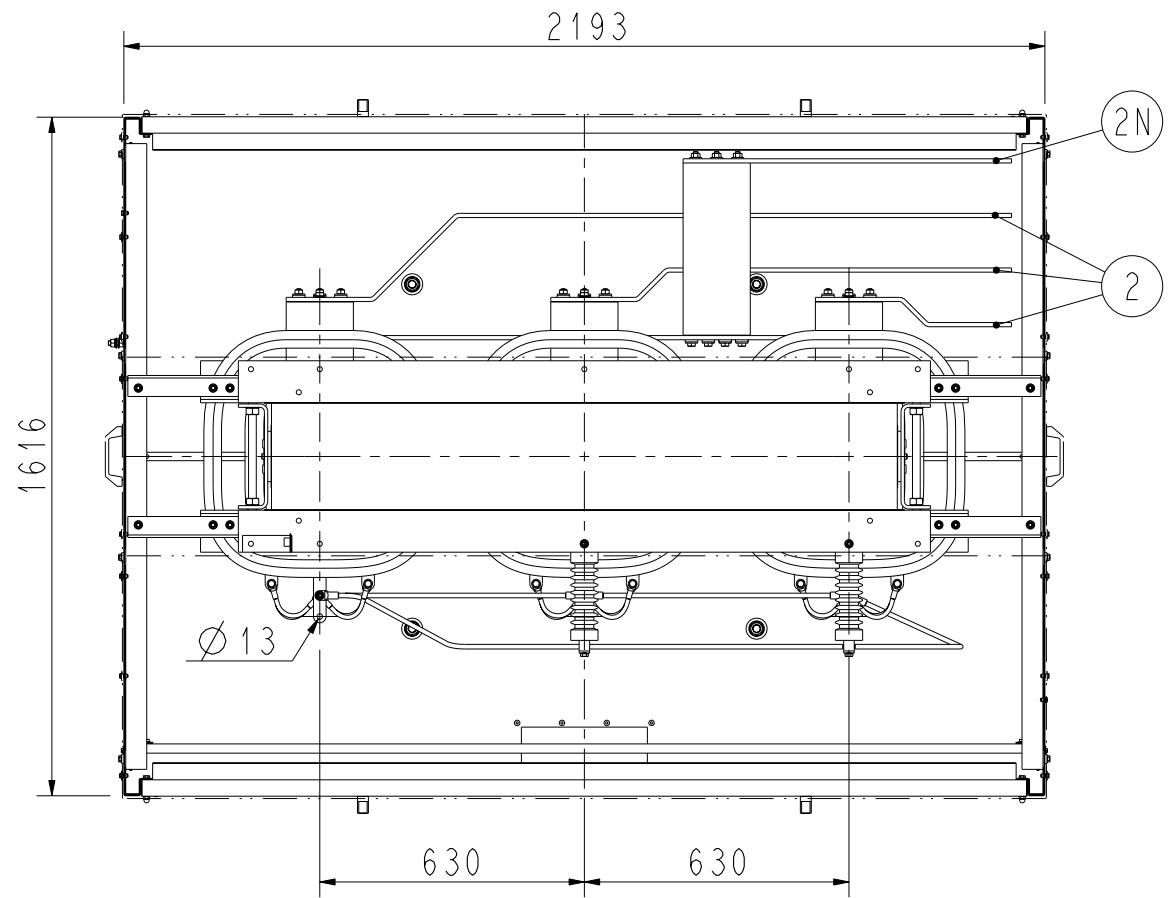


max. Dimensions / max. Abmessungen  
2280 x 1700 x 2330



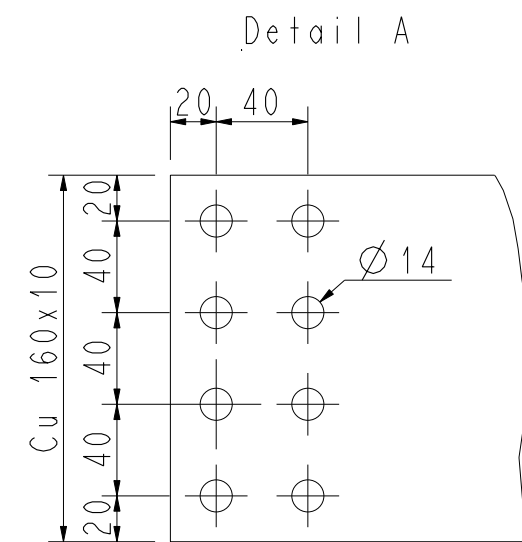
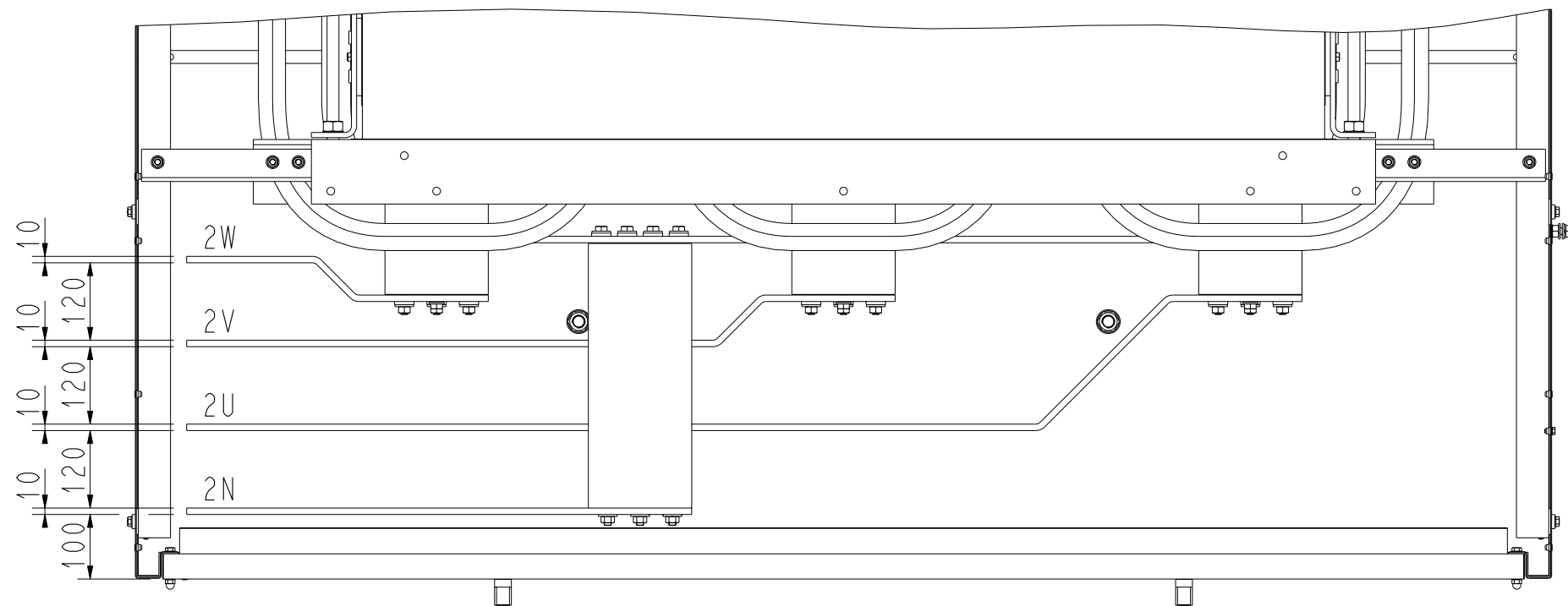
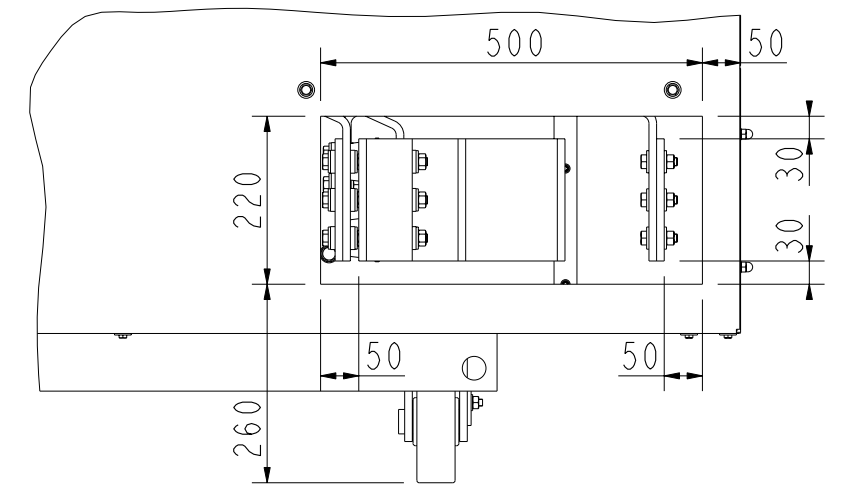
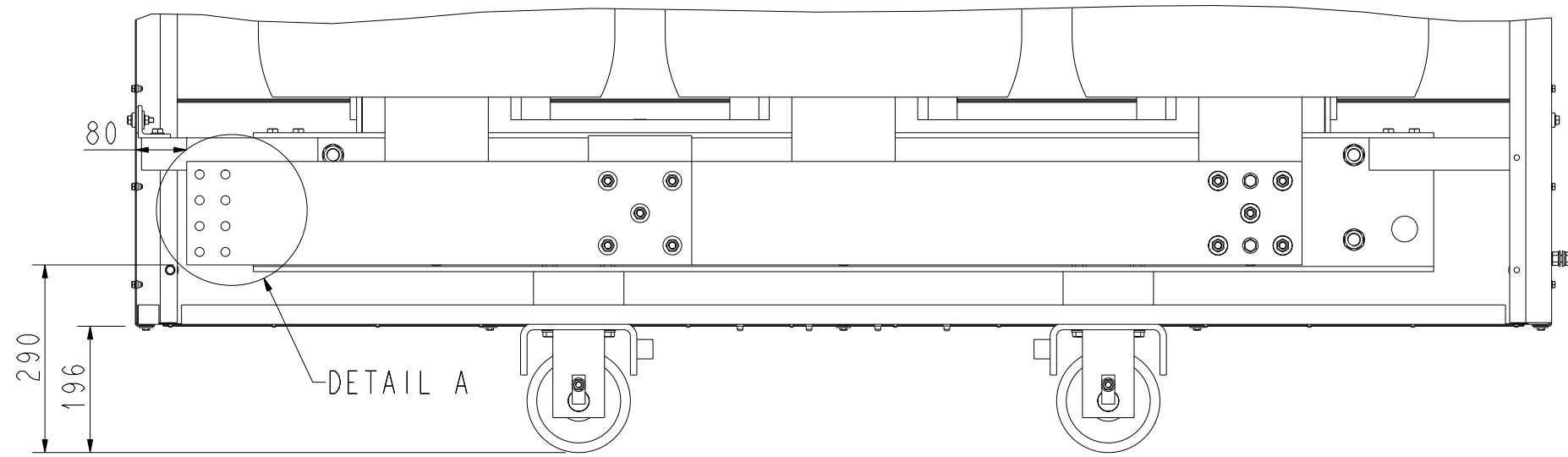
for information only !

1	HV connection / OS Anschluss
2	LV connection / US Anschluss
2N	LV starpoint / US Sternpunkt
3	Earthing M12 / Erdung M12
4	Rating plate / Leistungsschild

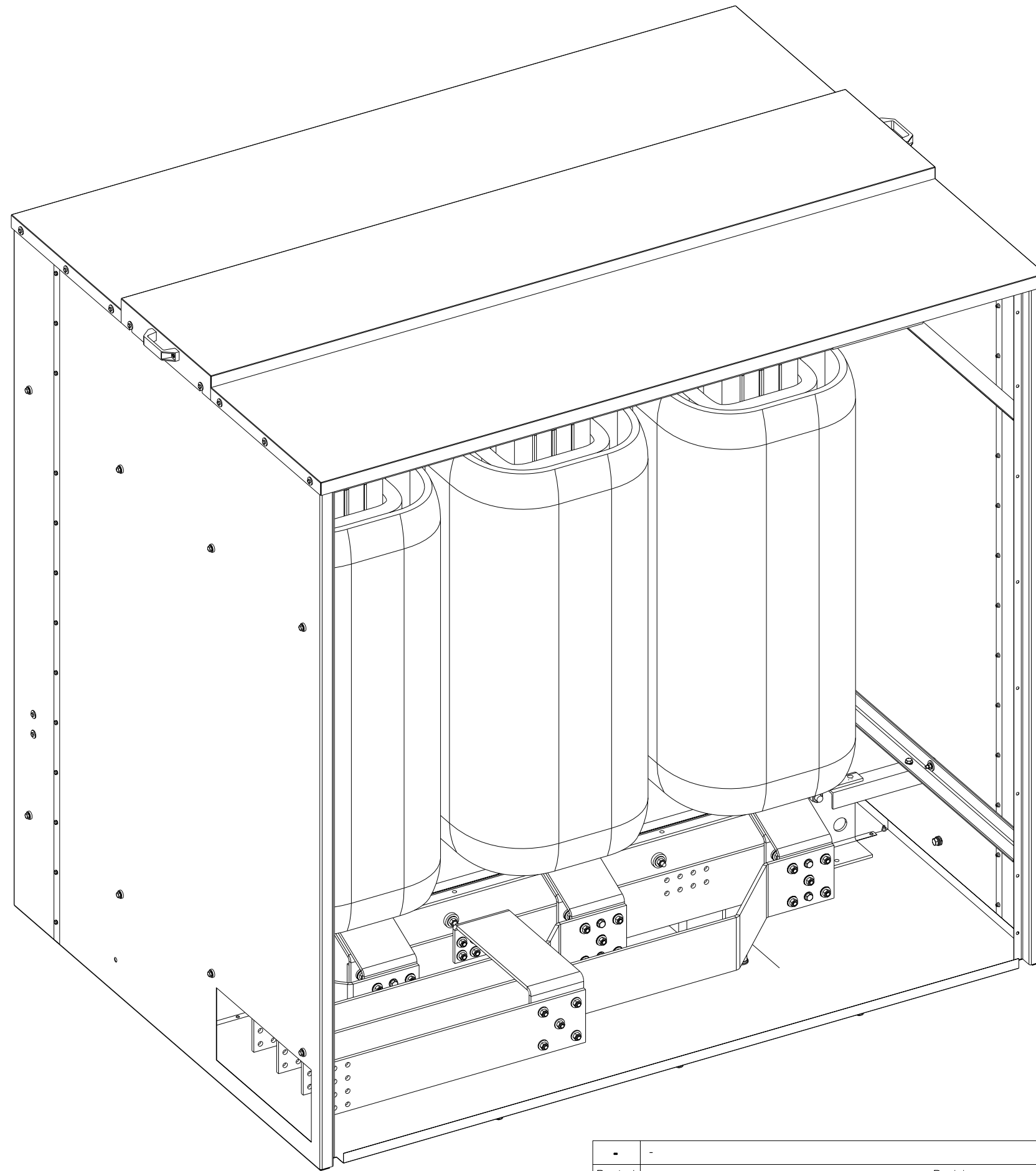


3-Phase Dry-Type Transformer / 3-Phasen Trockentransformator	
Type / Typ RESIBLOC	
Rated power / Leistung	[kVA] 1600
Rated voltage HV / Spannung OS	[V] 22000 ±2x2.5%
Rated voltage LV / Spannung US	[V] 400
Vector group / Schaltgruppe	Dyn11
Protection mode / Schutzart	IP23
Frequency / Frequenz	[Hz] 50
Insulation class / Isol.Klasse	F
Total weight / Gesamtgewicht	[kg] 4840

RevInd	Revision	Appd	Date
Prepared <i>A. Sattler</i>	Date 22.04.2004	Responsible department BT	Title Customer drawing
Approved	Date	Take over Department	File: <auftrag>\trafo\massbild.drw
ABB Transformatoren GmbH			Document No. 14203 1017/A
			Language de
			Sheet 1/3



RevInd	-	Revision	-	Appd	-	Date	-
Prepared	A. Sattler	Date	22.04.2004	Responsible department	BT	Title	File: <auftrag>\trafo\massbild.drw
Approved		Date		Take over Department		Customer drawing	Language de
ABB Transformatoren GmbH						Document No.	14203 1017/A
						Sheet	2/3



-	-	-	-
RevInd	Revision	Appd	Date
Prepared <i>A. Sattler</i>	Date 22.04.2004	Responsible department BT	Title File: <auftrag>\trafo\massbild.drw
Approved	Date	Take over Department	Language de
<b>ABB Transformatoren GmbH</b>		Document No.	Sheet 3/3
		<b>14203 1017/A</b>	