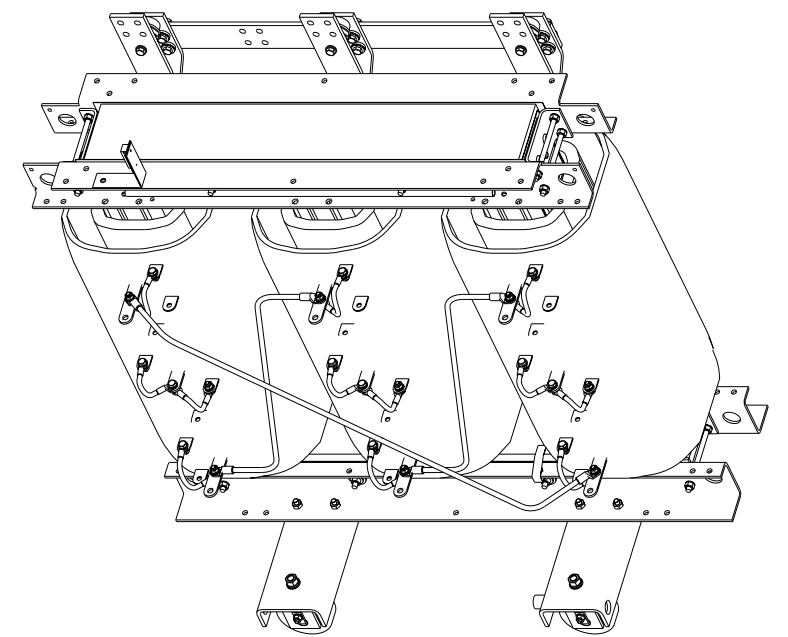
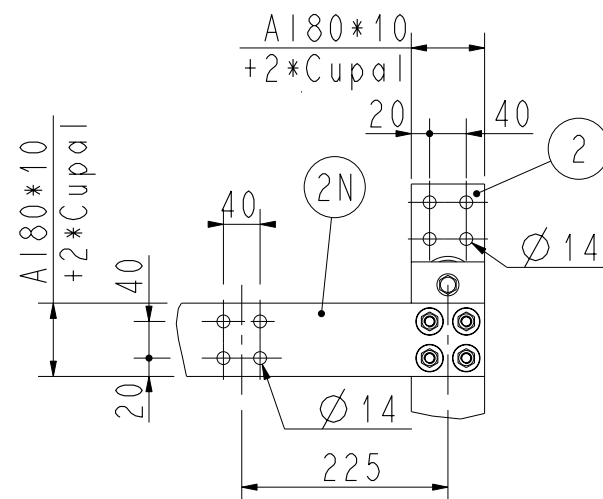
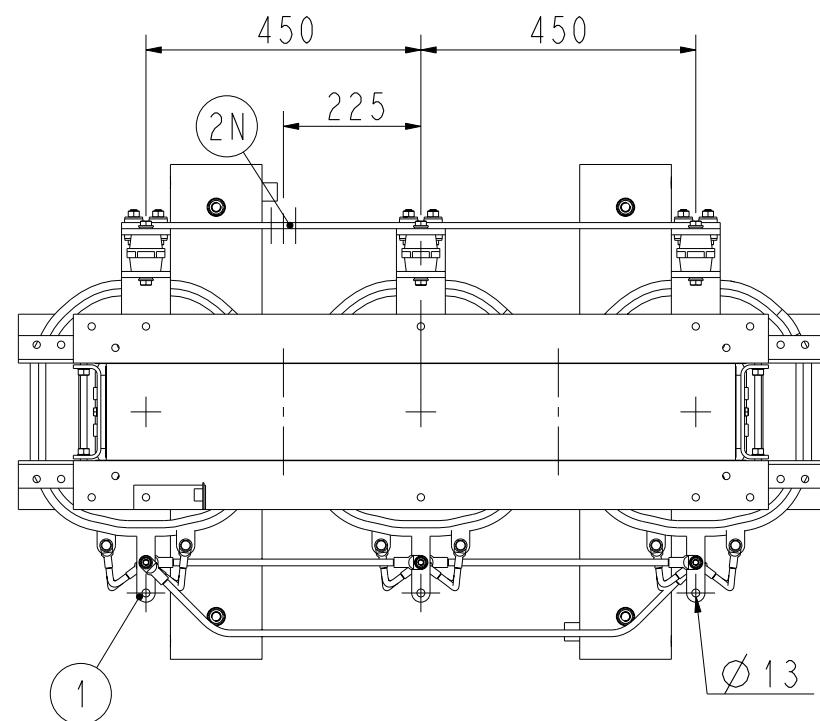


max. Dimensions / max. Abmessungen  
1320 x 810 x 1450



1	HV connection OS Anschluss
2	LV connection US Anschluss
2N	LV starpoint US Sternpunkt
3	Earthing M12 Erdung M12
4	Rating plate Leistungsschild
5	PTC-Terminal Klemmleiste



3-Phase Dry-Type Transformer / 3-Phasen Trockentransformator  
Type / Typ RESIBLOC

Rated power / Leistung	[kVA]	315
Rated voltage HV / Spannung OS	[V]	22000 ±2x2.5%
Rated voltage LV / Spannung US	[V]	400
Vector group / Schaltgruppe		Dyn5
Protection mode / Schutzart		IP00
Frequency / Frequenz	[Hz]	50
Insulation class / Isol.Klasse		F
Total weight / Gesamtgewicht	[kg]	1290

RevInd	Revision		Appd	Date
Prepared <i>Frigger</i>	Date 17.4.03	Responsible department BT	Title Customer drawing Massbild	
Approved	Date	Take over department	Document No. 14998 4707	Language de
ABB Transformatoren GmbH			Sheet 1/1	