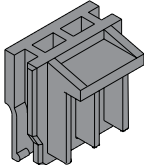
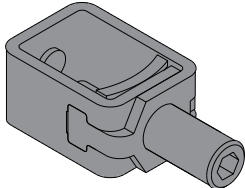
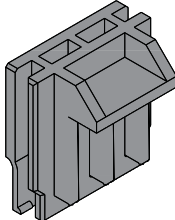
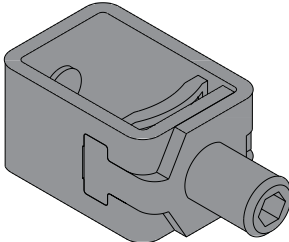
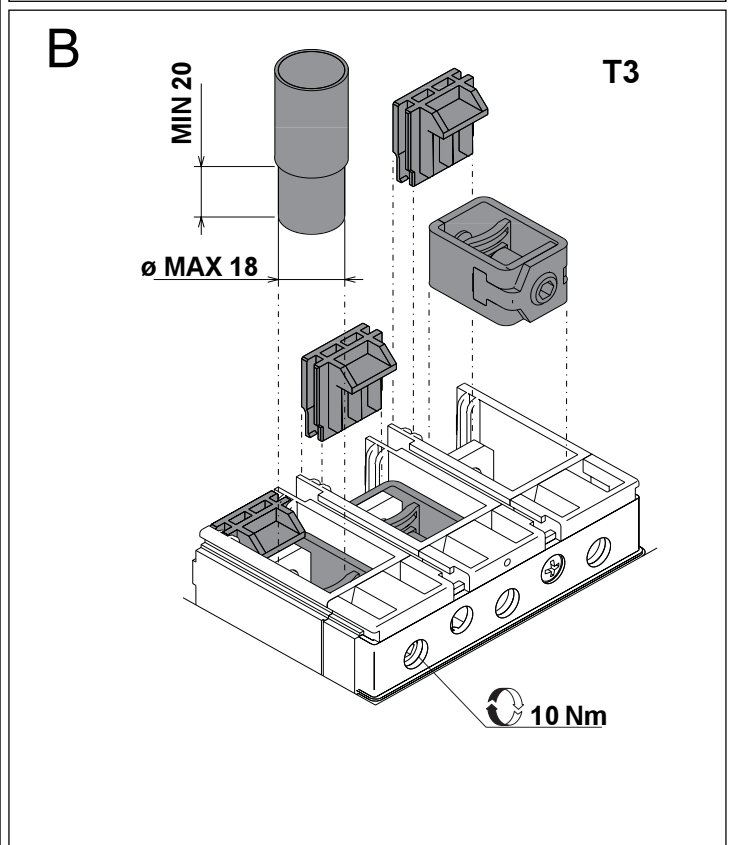
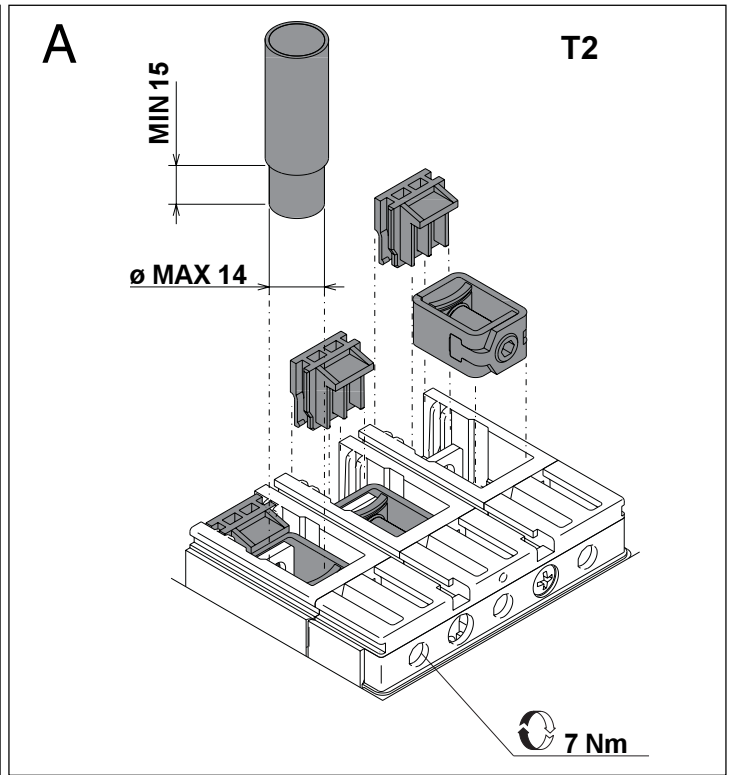


Tmax

DOC. N.° RH0012.808 - L0377

FC Cu - Terminali per cavi T2-T3 fisso/parte fissa di rimovibile.
 FC Cu - Terminals for cables T2-T3 Fixed/plug-in fixed part.
 FC Cu - Anschlüsse für Kabel T2-T3 fest/ausfahrbarer festes teil.
 FC Cu - Prises pour câbles T2-T3 fixe/partie fixe de débrochable.
 FC Cu - Terminales para cables T2-T3 fijo/parte fija de enchufable.

| | T2 III | T2 IV | T3 III | T3 IV |
|---|--------|-------|--------|-------|
|  | 3 (6) | 4 (8) | - | - |
|  | 3 (6) | 4 (8) | - | - |
|  | - | - | 3 (6) | 4 (8) |
|  | - | - | 3 (6) | 4 (8) |



C

T2



MAX 95 mm²

70 mm²

MIN 1 mm²

1 mm²

T3



MAX 185 mm²

120 mm²

MIN 6 mm²

6 mm²



ABB SACE S.p.A.

Via Baioni, 35

24123 Bergamo- Italy

Tel. +39 035.395.111 - Telefax +39 035.395.306-433

<http://www.abb.com>