
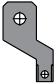
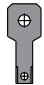
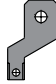






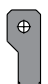
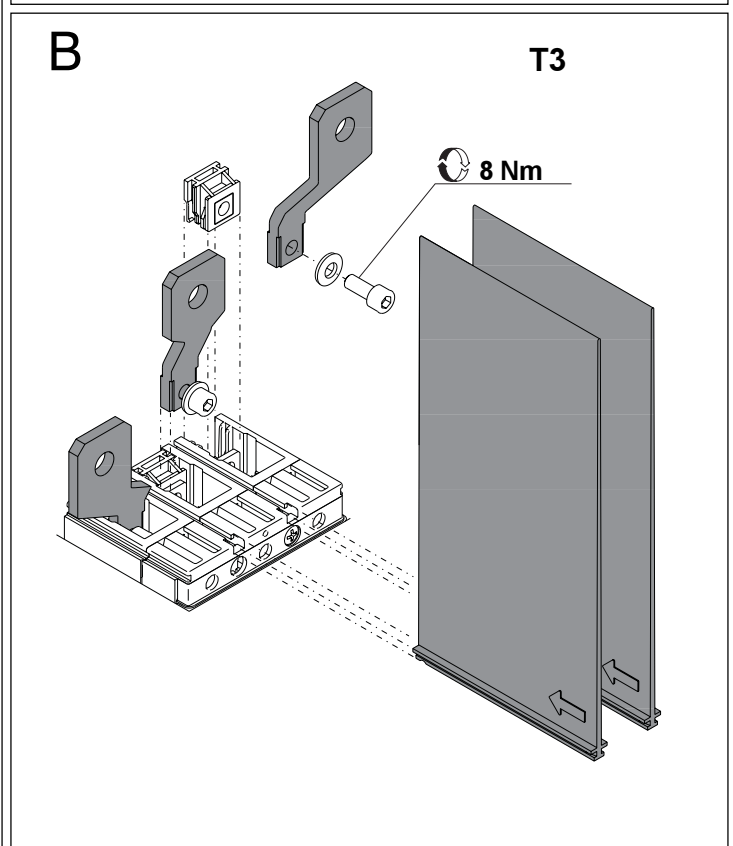
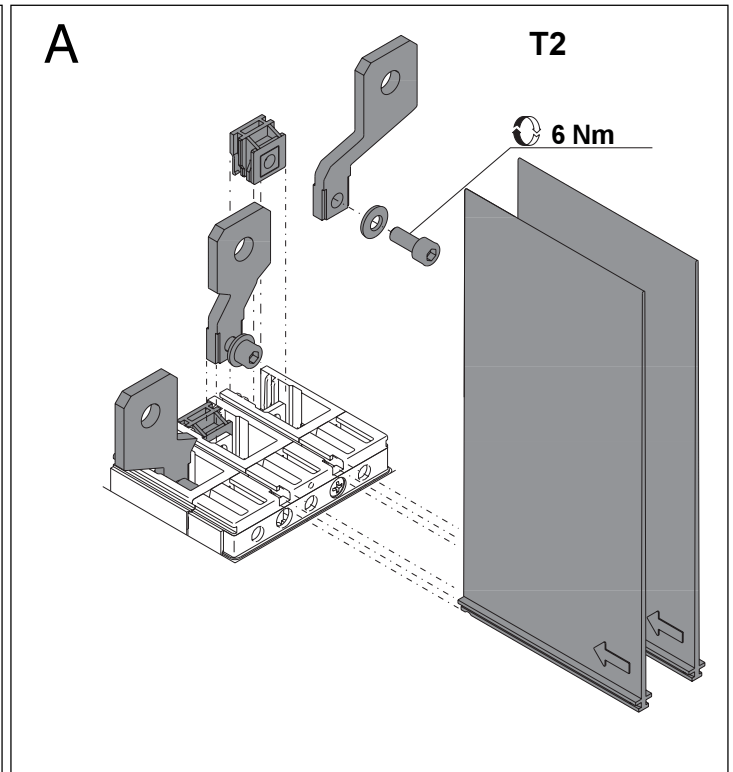


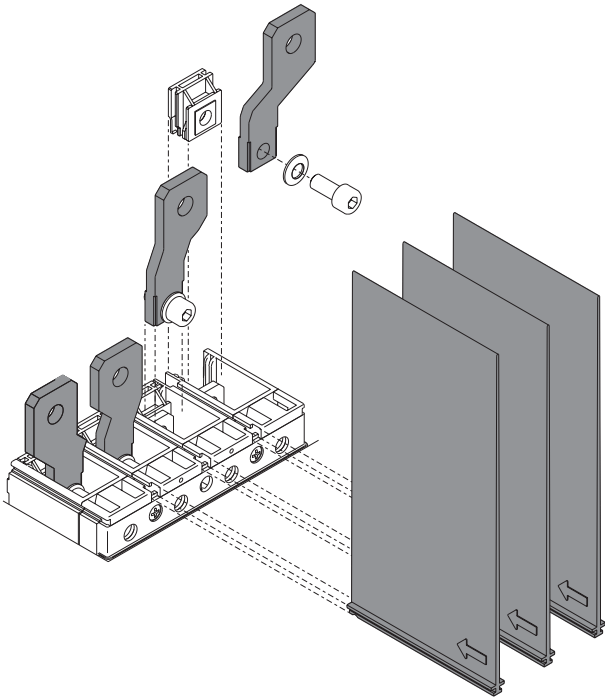
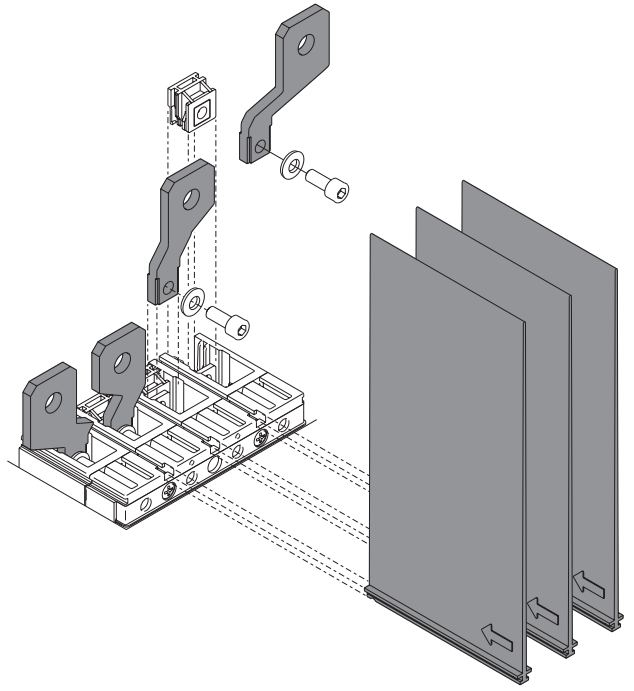
Tmax

DOC. N.° RH0012.806 - L0377

ES – Terminali anteriori divaricati T2 fisso/parte fissa di rimovibile
 ES – Splayed front terminals T2 Fixed/plug-in fixed part
 ES – Vorderseitige V-förmige Anschlüsse T2 fest/ausfahrbarer festes teil
 ES - Prises avant écartées T2 fixe/partie fixe de débroschable
 ES – Terminales anteriores separados T2 fijo/parte fija de enchufable

| | T2 II | T2 IV | T3 III | T3 IV |
|-------------------------------------------------------------------------------------|-------|-------|--------|-------|
|  | 2 (4) | 3 (6) | 2 (4) | 3 (6) |
|  | 1 (2) | 1 (2) | - | - |
|  | 1 (2) | - | - | - |
|  | 1 (2) | 1 (2) | - | - |
|  | - | 1 (2) | - | - |
|  | - | 1 (2) | - | - |
|  | - | - | 1 (2) | 1 (2) |
|  | - | - | 1 (2) | - |
|  | - | - | 1 (2) | 1 (2) |
|  | - | - | - | 1 (2) |
|  | - | - | - | 1 (2) |



C**D****ABB****ABB SACE S.p.A.**

Via Baioni, 35

24123 Bergamo- Italy

Tel. +39 035.395.111 - Telefax +39 035.395.306-433

<http://www.abb.com>