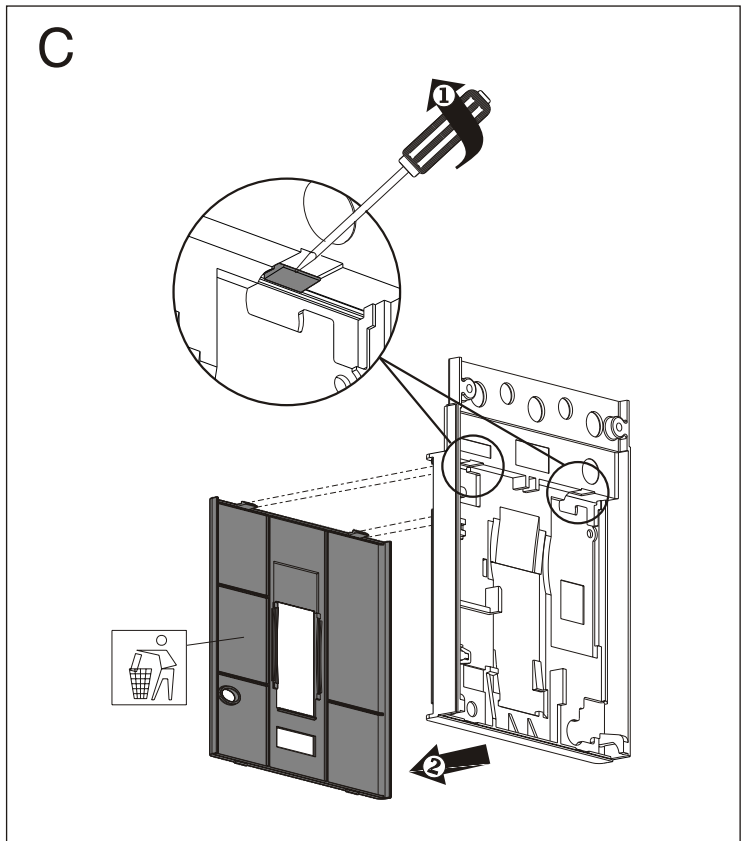
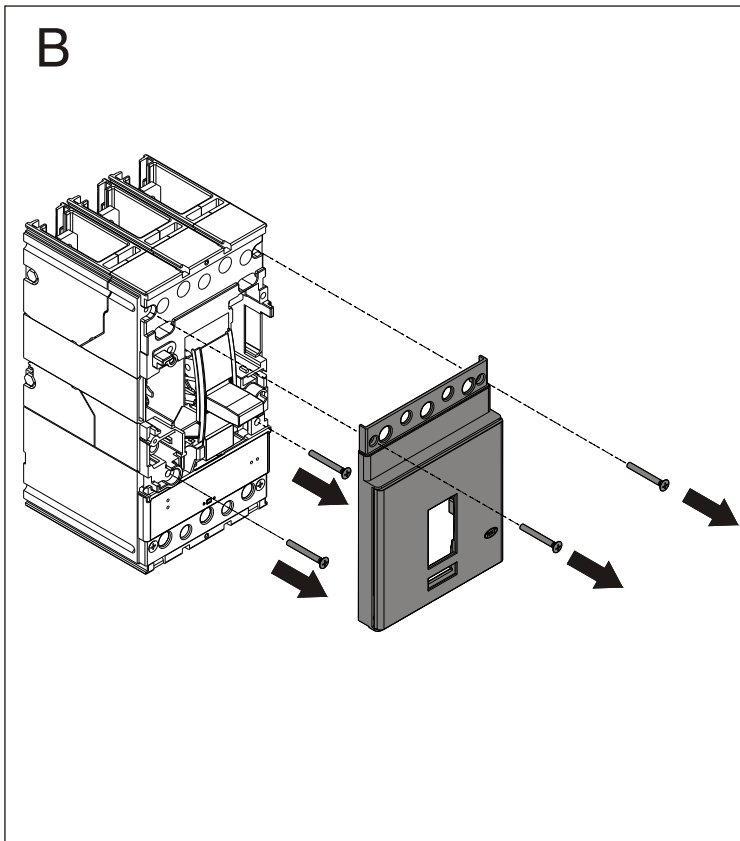
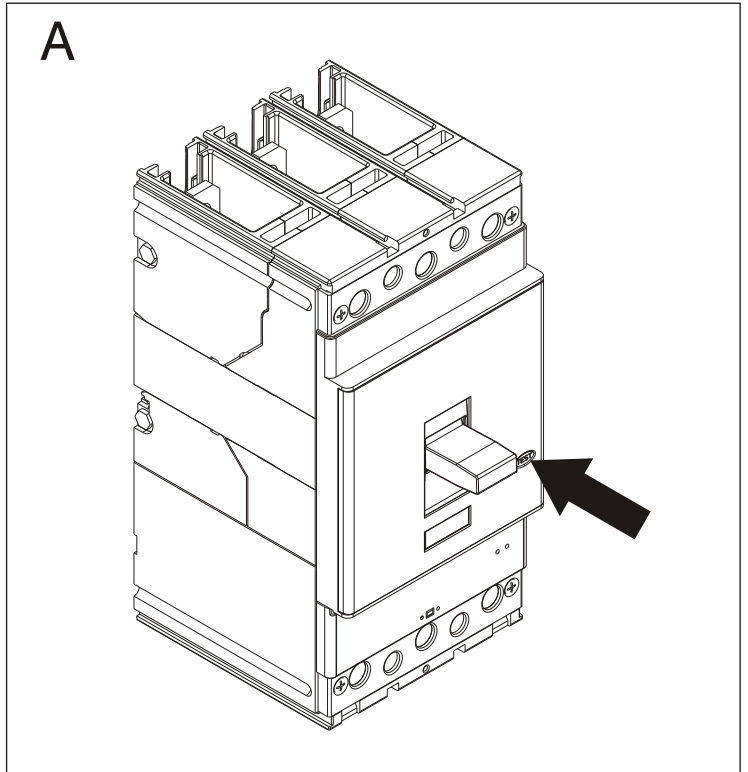
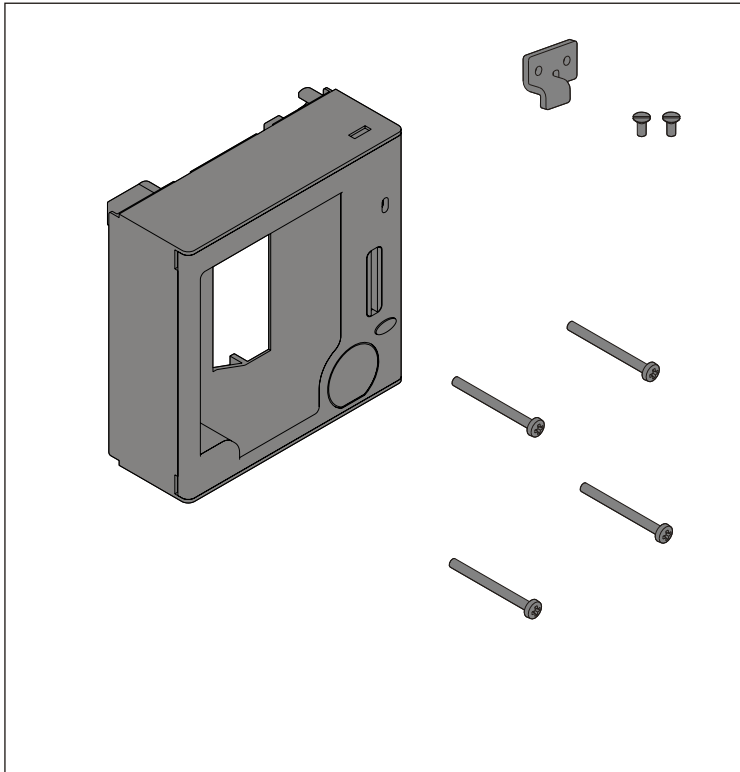
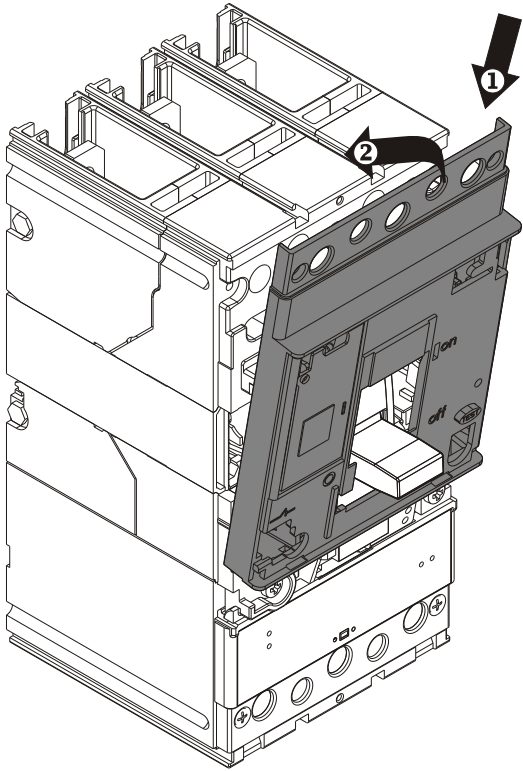
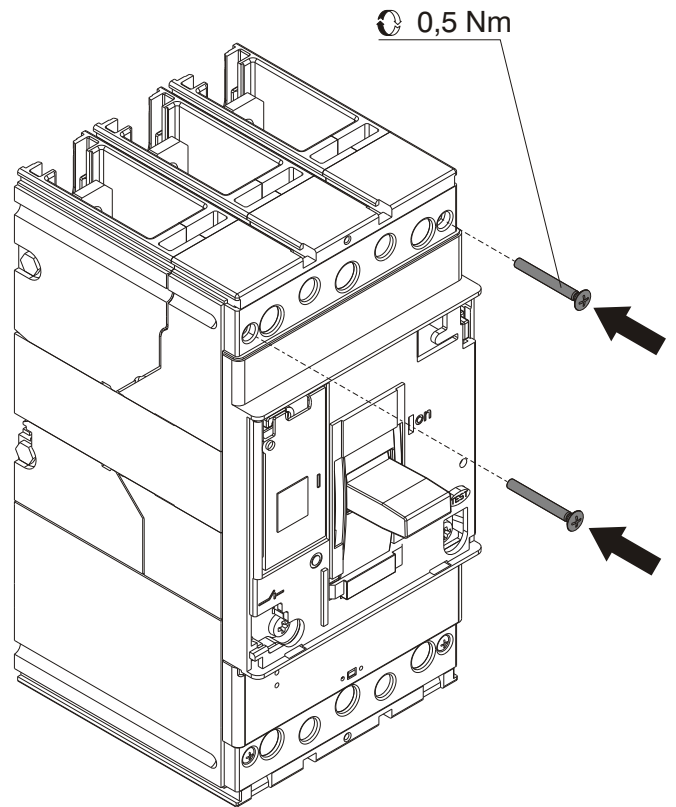
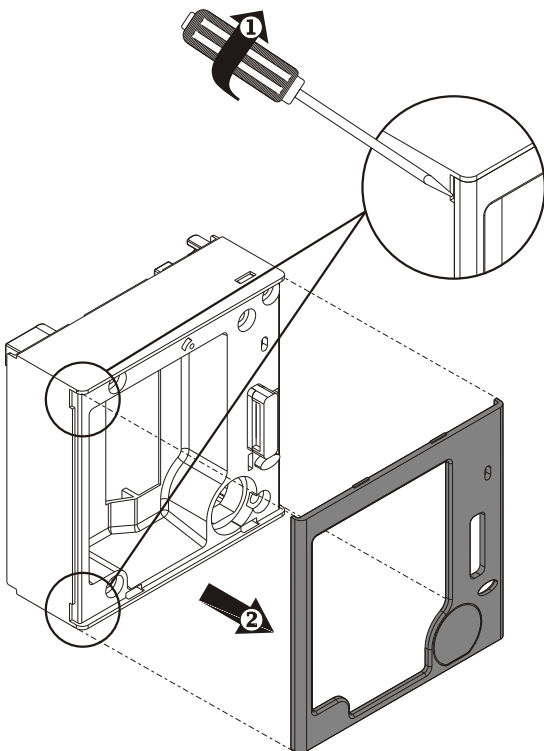
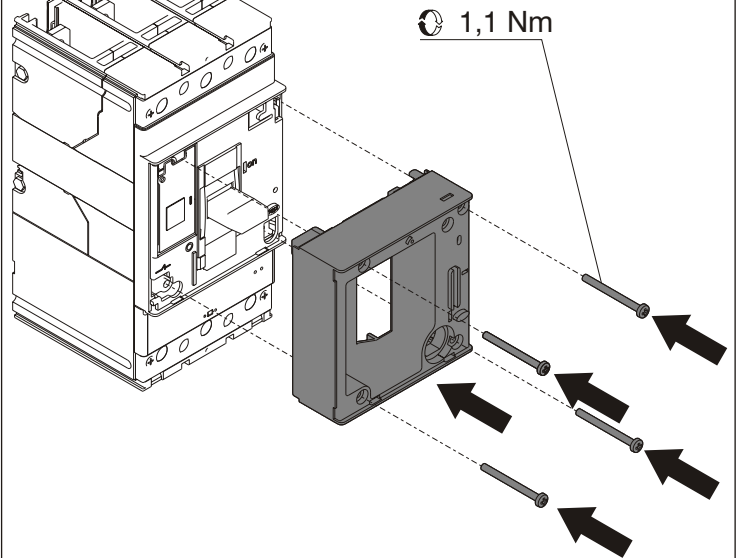


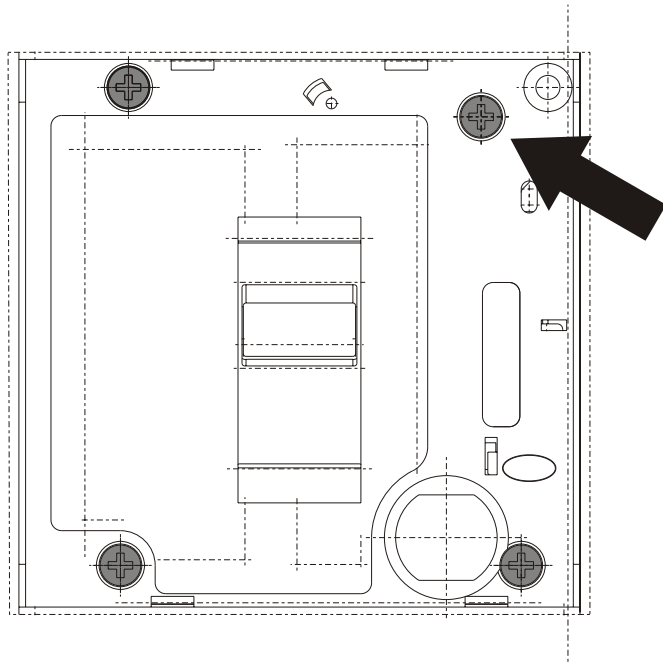
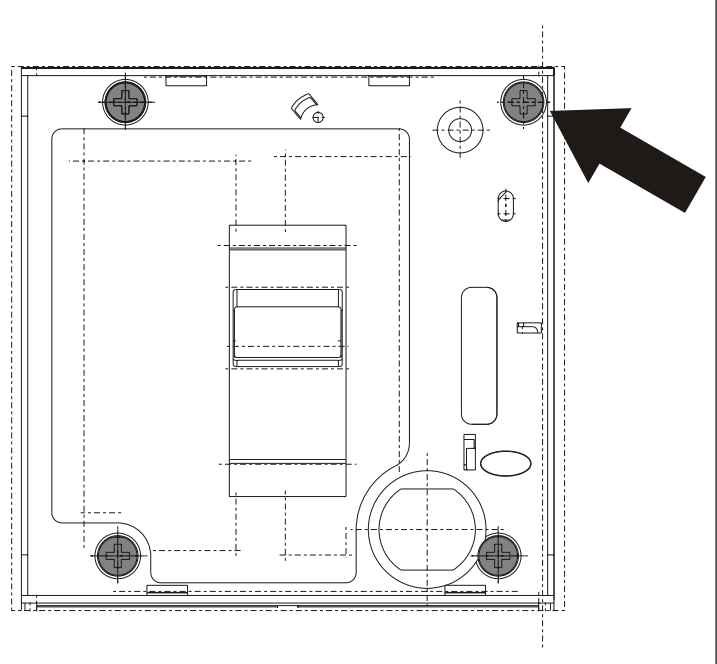
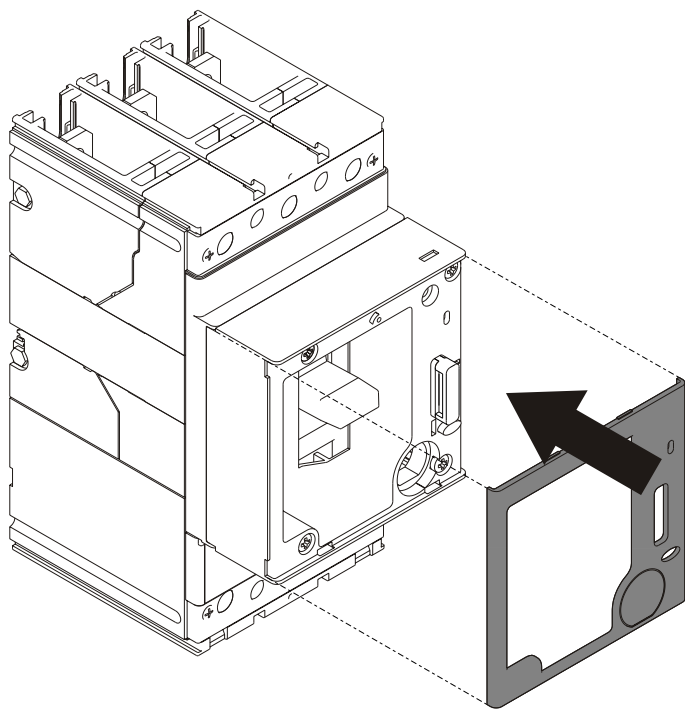
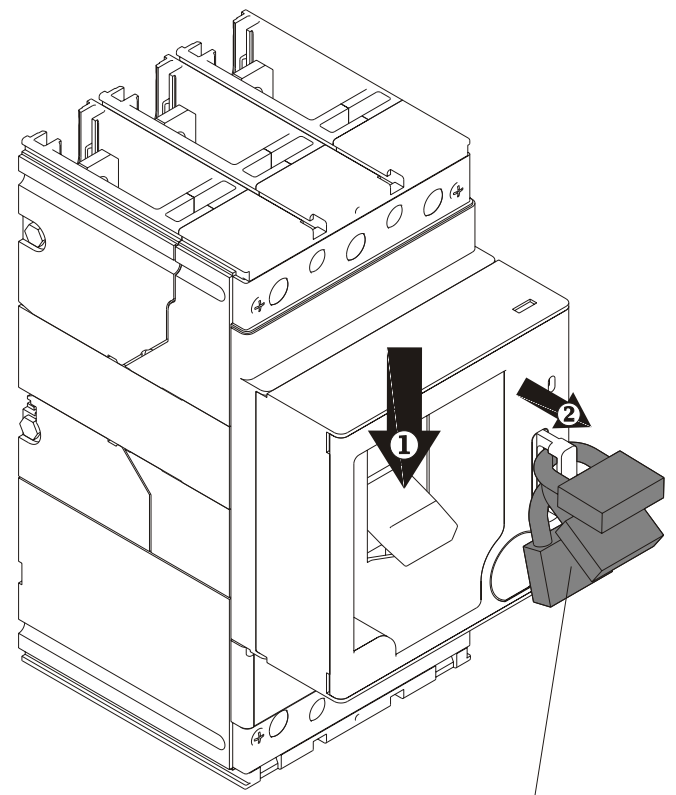
Tmax

DOC. N.° 1SDH000436R0631 - L2233

FLD - Frontale per blocchi T4-T5
FLD - Front for T4-T5 locks
FLD - Frontplatte für Verriegelungen T4-T5
FLD - Frontal pour verrouillages T4-T5
FLD - Frontal para bloques T4-T5



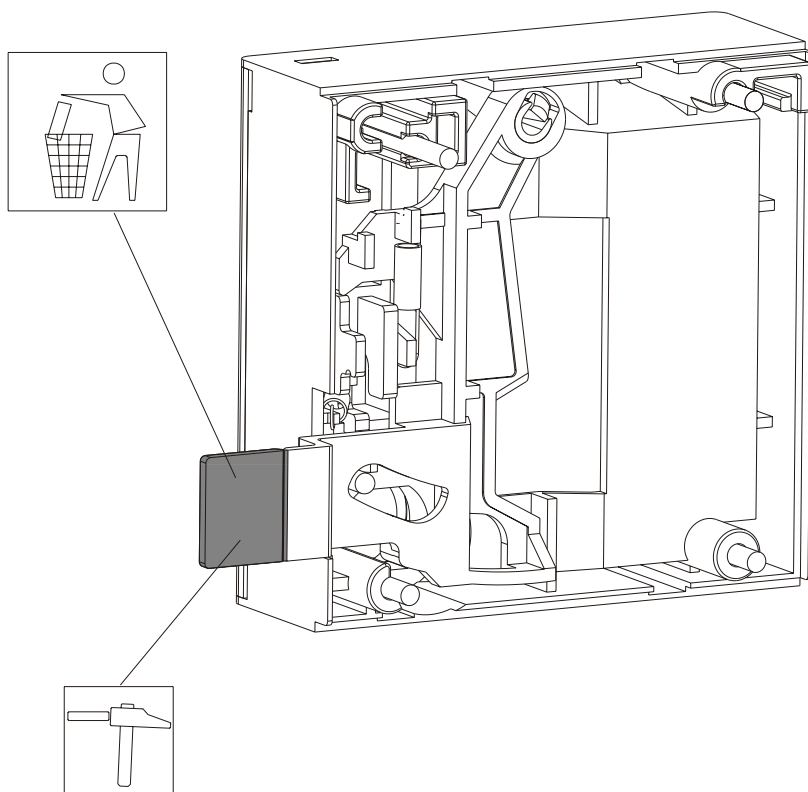
D**E****F****G**

H**T5****I****T4****L****M**

max n° 3 \varnothing 6÷7 mm

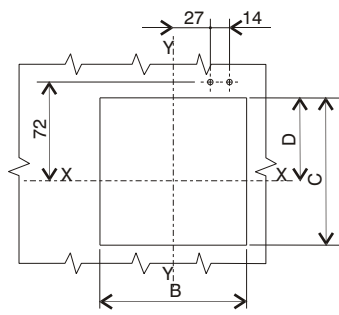
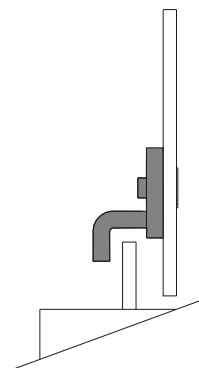
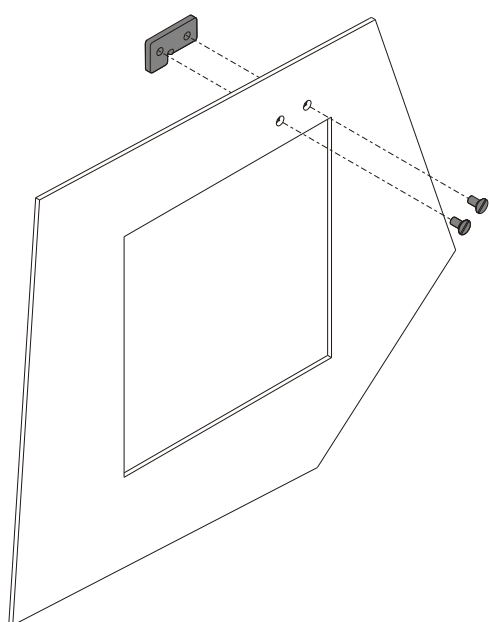
N

ONLY FOR T4 W



O

Blocco della porta della cella
 Compartment door interlock
 Verriegelung der Schaltfeldtür
 Verrouillage de la porte du compartiment
 Bloqueo (enclavamiento) de la puerta de la celda



	A	B	C	D
WITH FLANGE CON MOSTRINA	140.5	115	115.5	64.5
WITHOUT FLANGE SENZA MOSTRINA	140.5	107	107.5	60.5



ABB SACE S.p.A.

Via Baioni, 35

24123 Bergamo Italy

Tel.: +39 035 395.111 - Telefax: +39 035 395.306-433

<http://www.abb.com>