

Tmax

DOC. N.° 1SDH000479R0614 - L2358

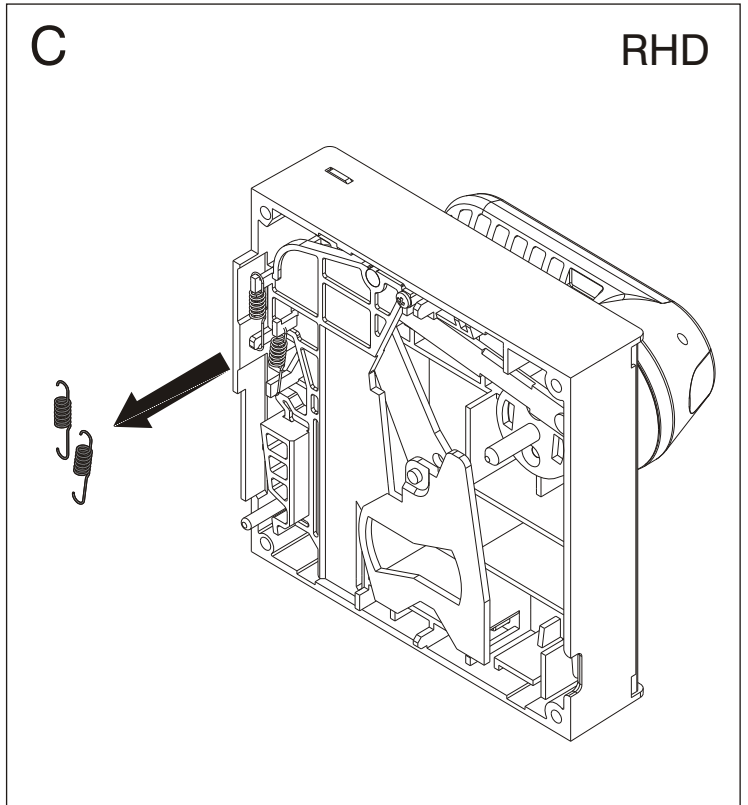
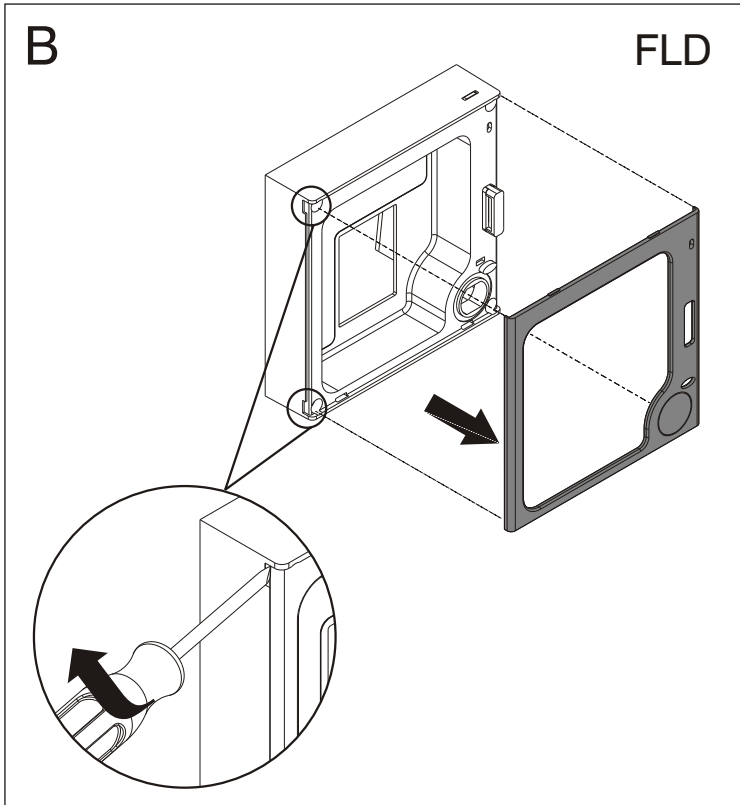
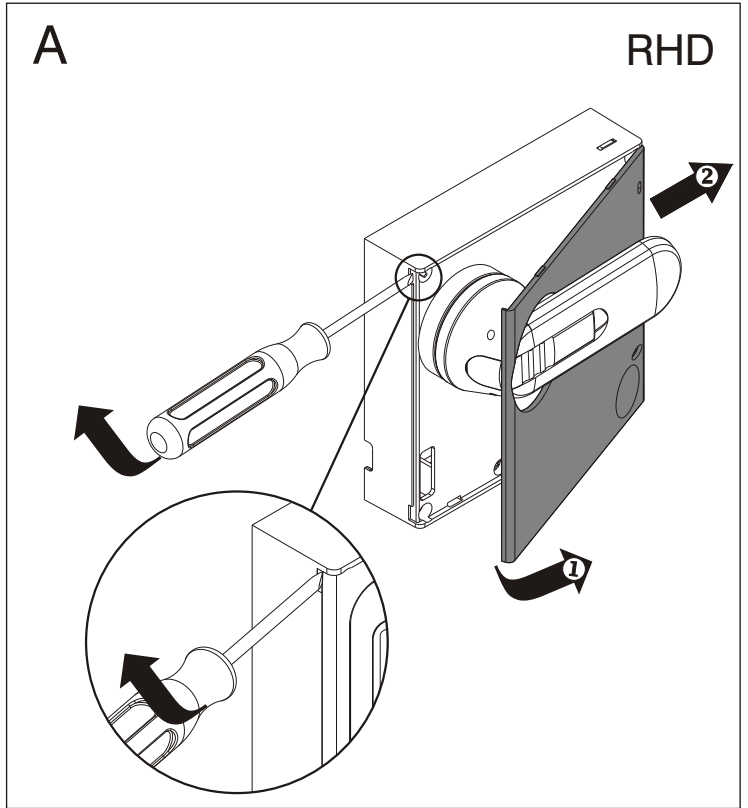
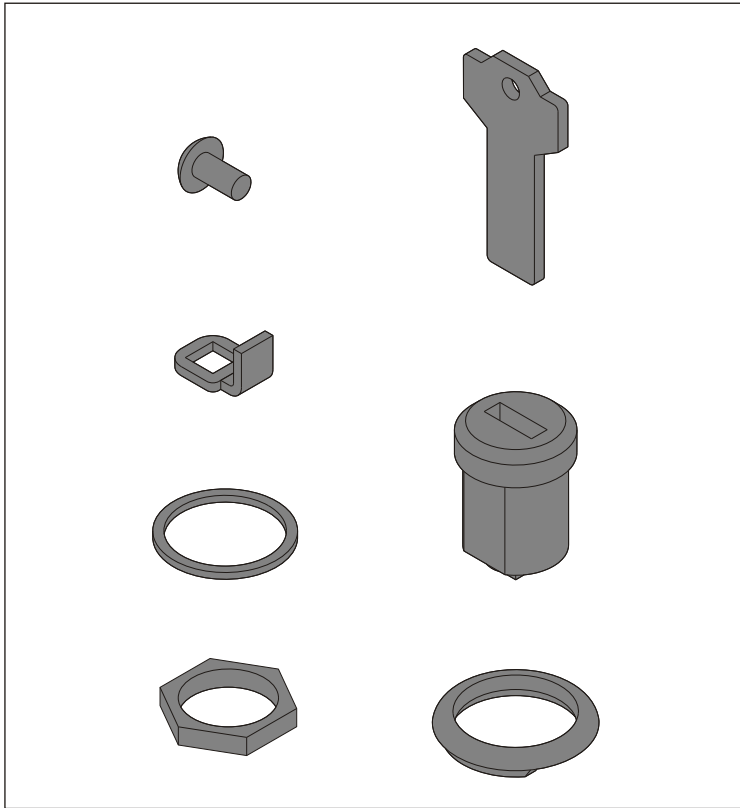
KL - Blocco a chiave per frontale/maniglia rotante T6

KL - Key lock for T6 front/rotary handle T6

KL - Schlüssellverriegelung für Frontplatte/Drehhebelantrieb T6

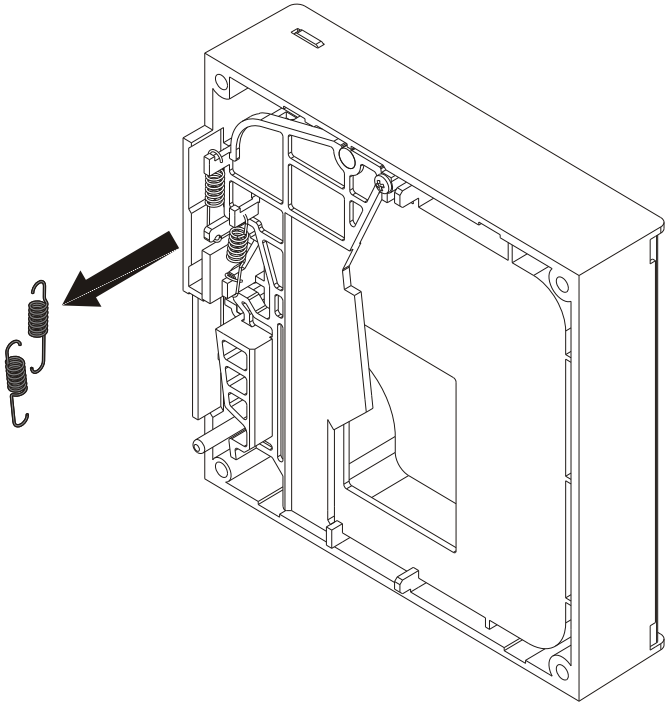
KL - Verrouillage par clé pour frontal/poignée rotative T6

KL - Bloqueo con llave para frontal/mando giratorio T6



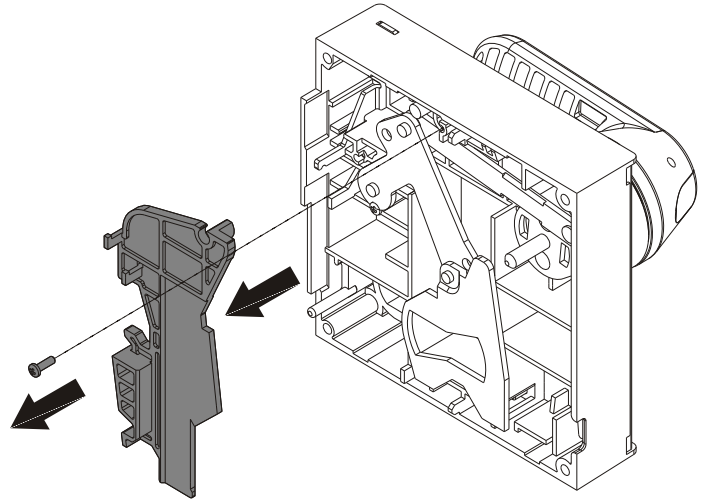
D

FLD



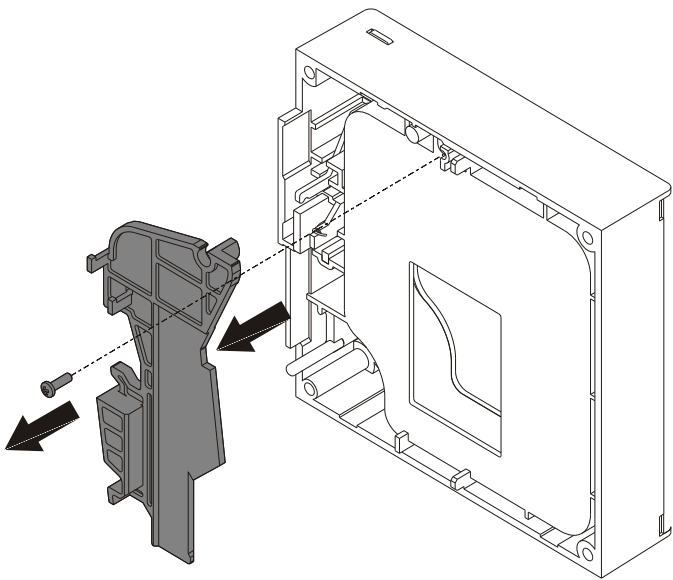
E

RHD



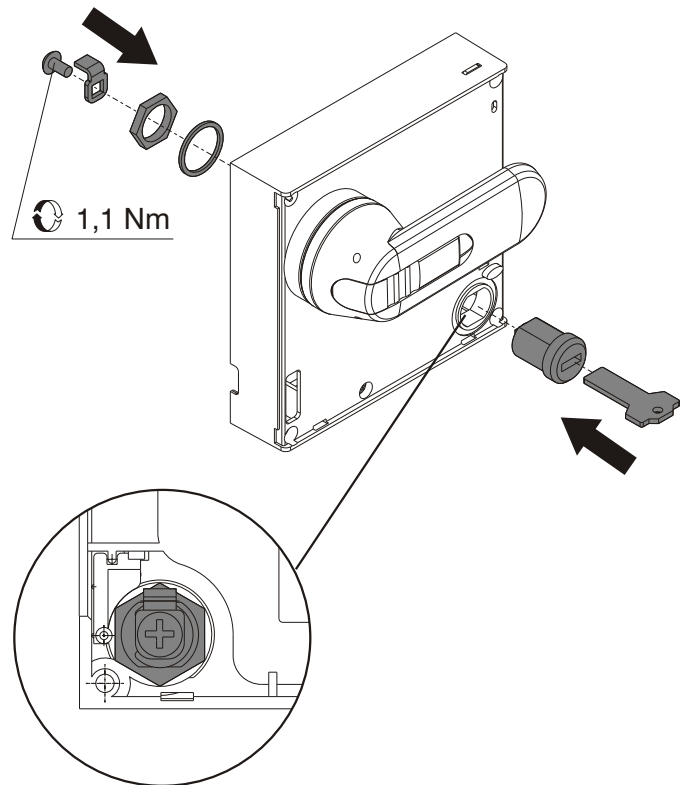
F

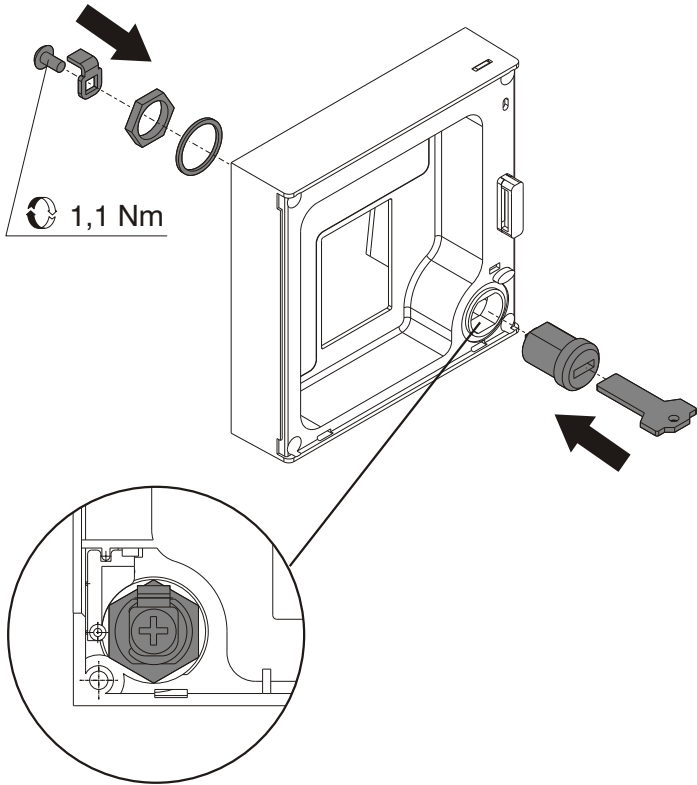
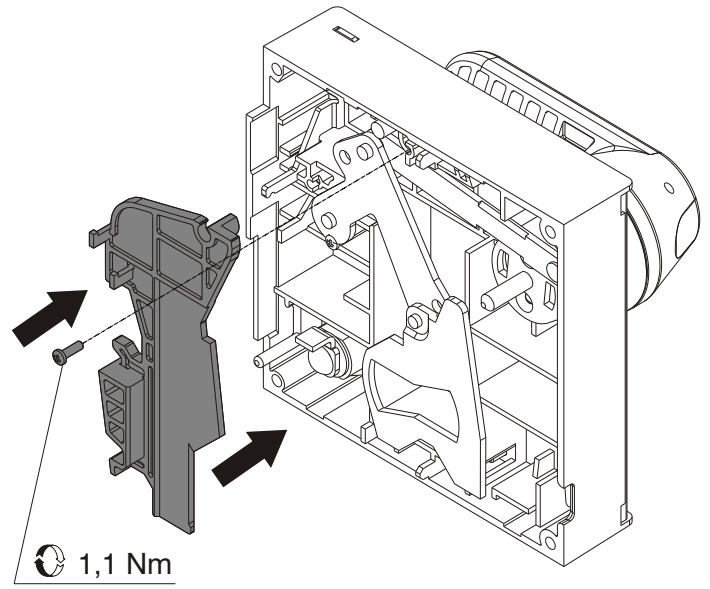
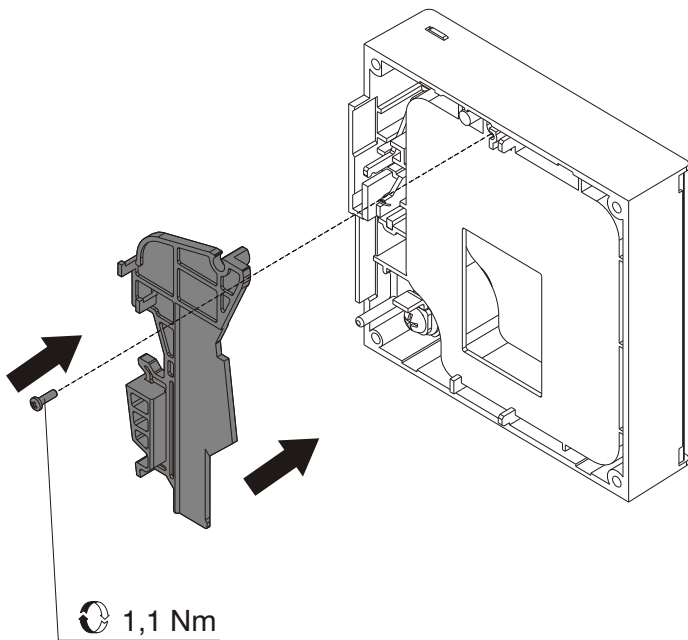
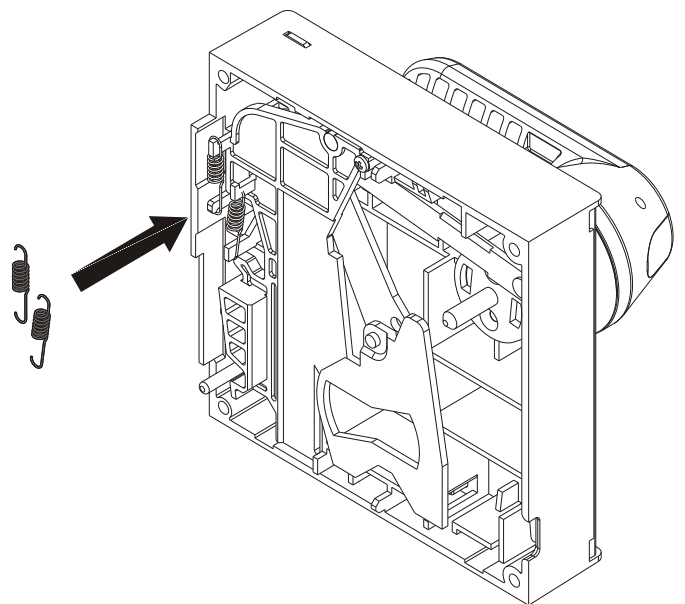
FLD



G

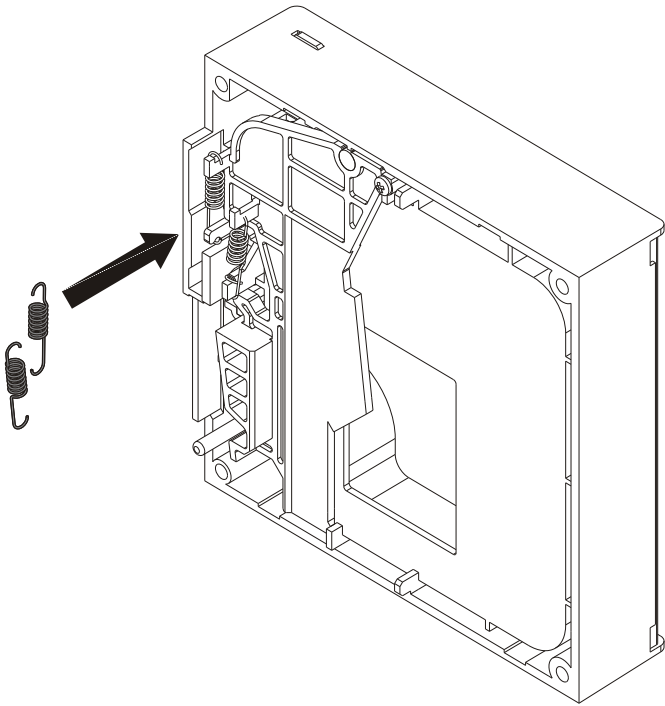
RHD



H**FLD****I****RHD****J****FLD****K****RHD**

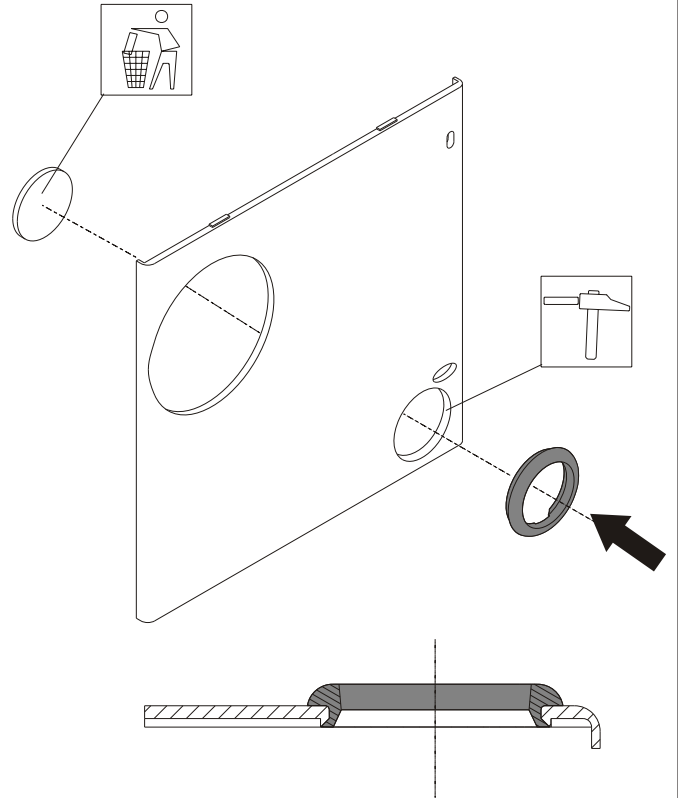
L

FLD



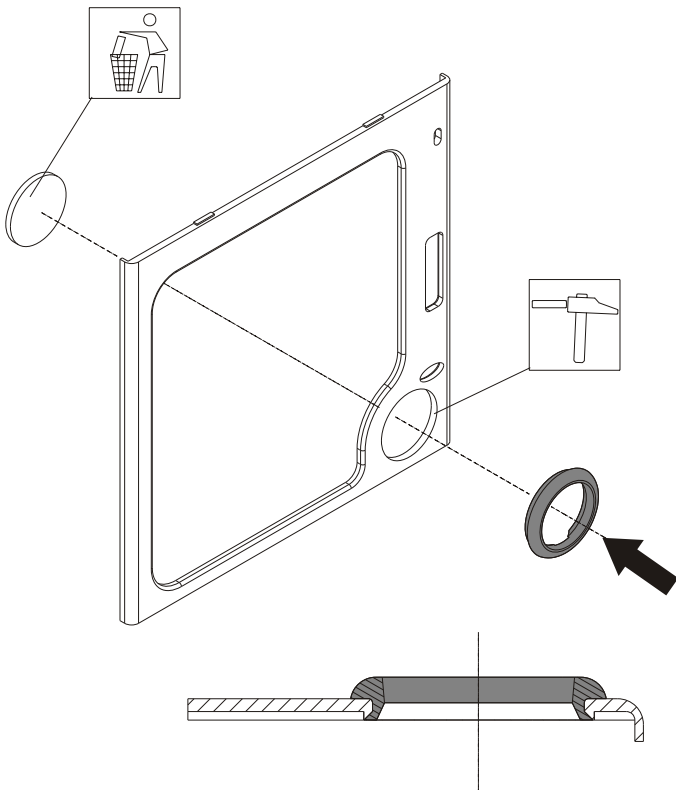
M

RHD



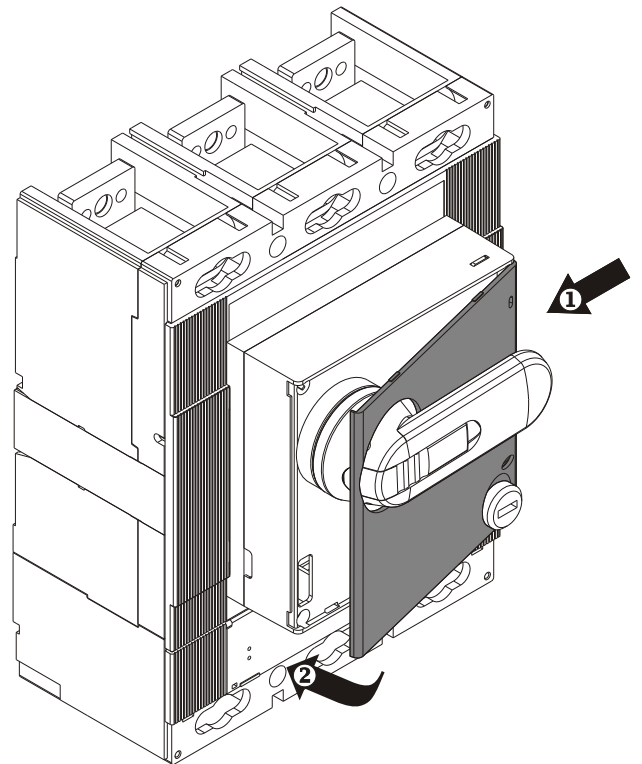
N

FLD



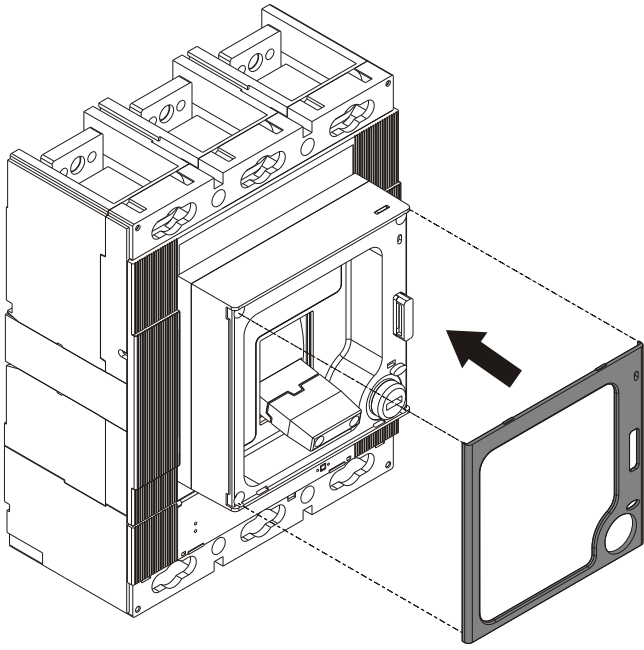
O

RHD



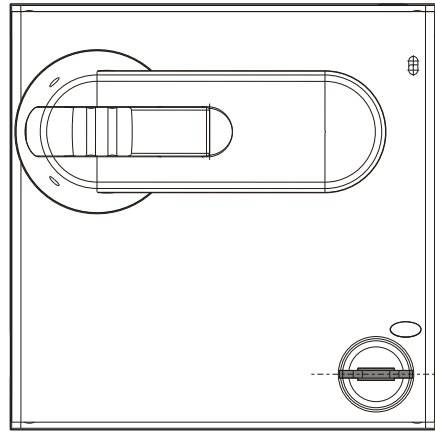
P

FLD

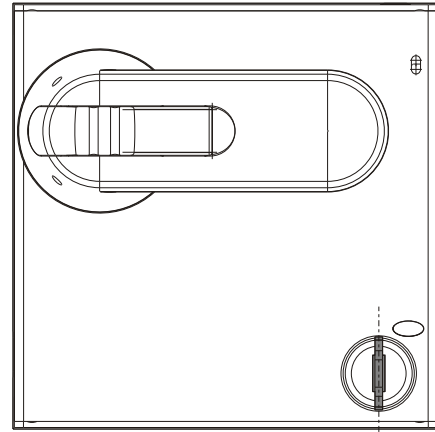


Q

RHD



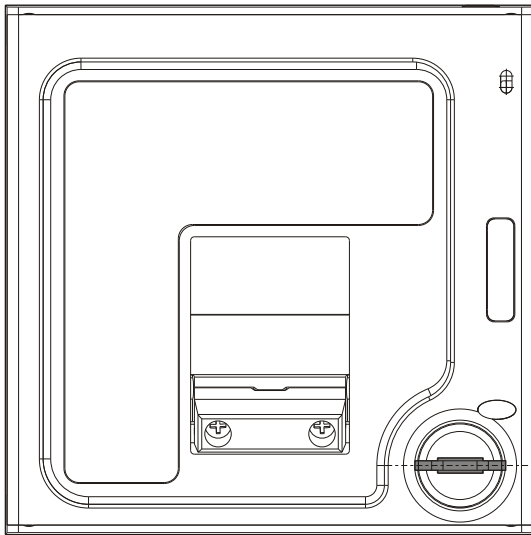
LOCKED



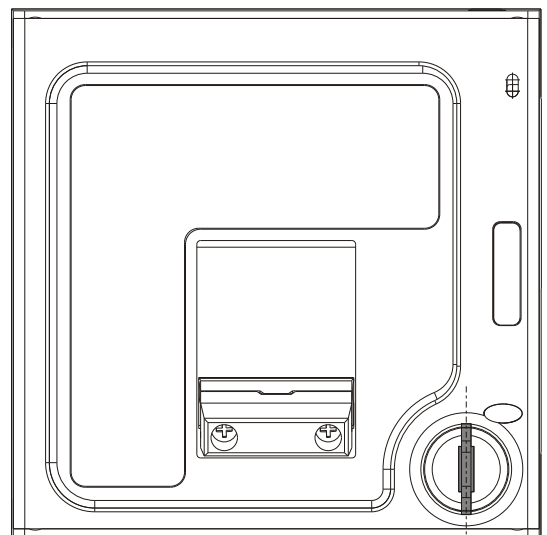
UNLOCKED

R

FLD



LOCKED



UNLOCKED



ABB SACE S.p.A.
 Via Baioni, 35
 24123 Bergamo Italy

Tel.: +39 035 395.111 - Telefax: +39 035 395.306-433

<http://www.abb.com>