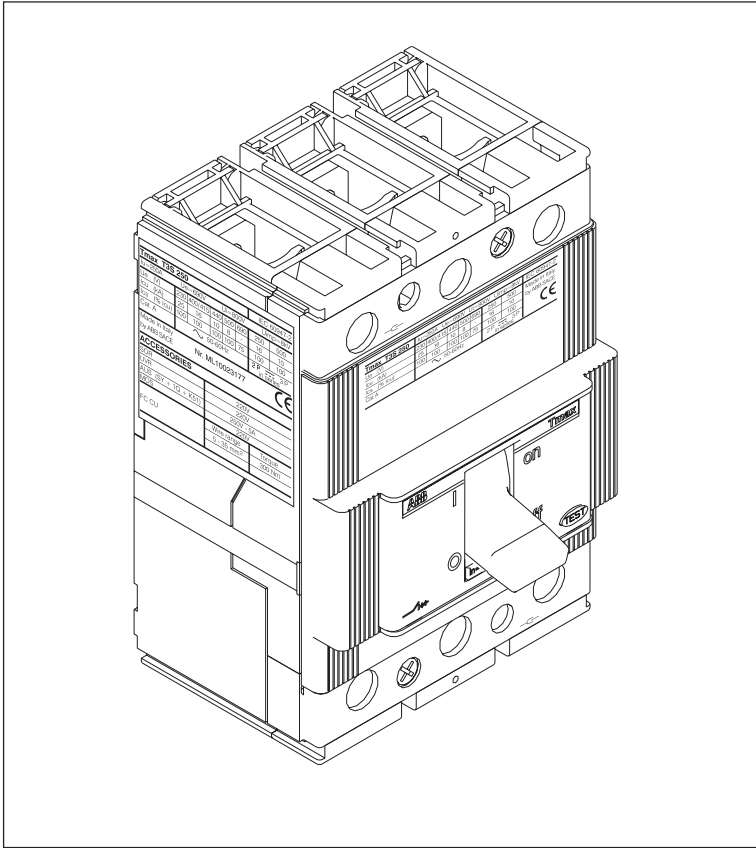
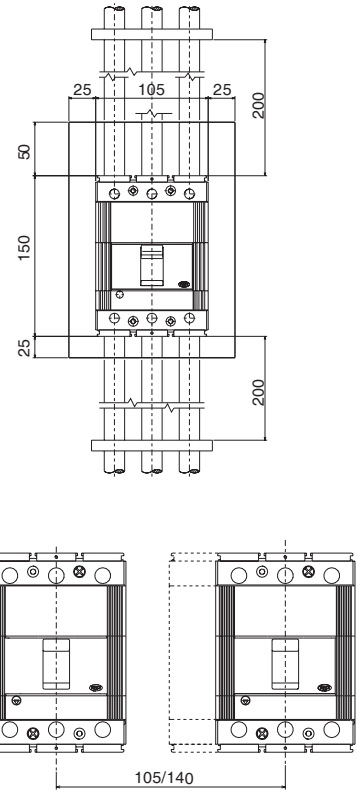


Tmax T3

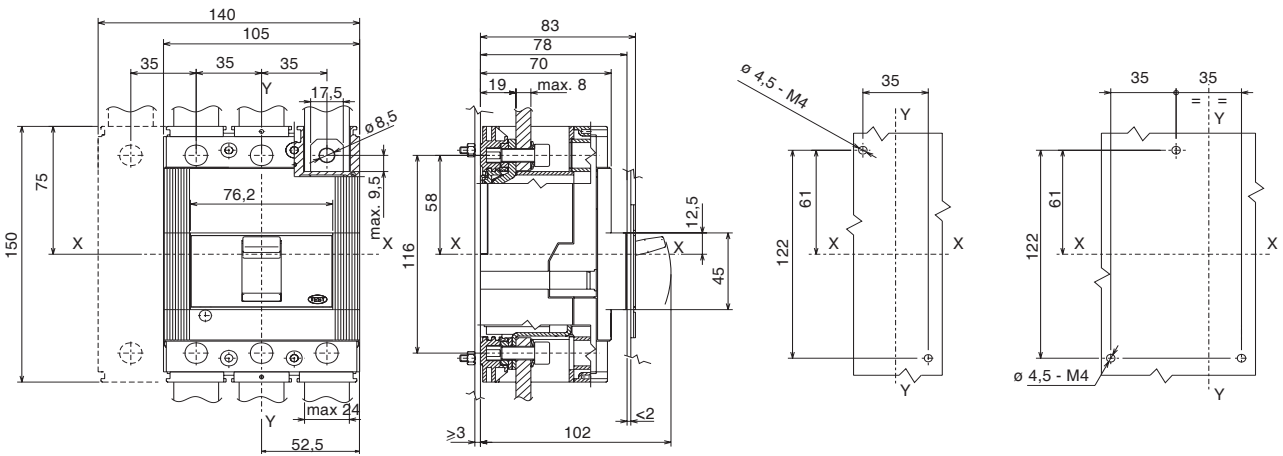
DOC. N.° RH0013001 - L3045



A

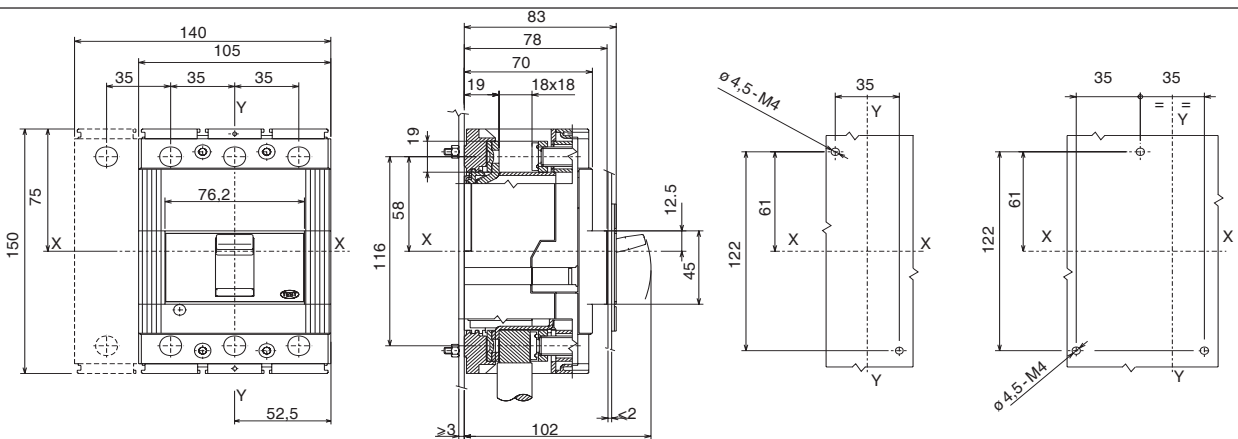


B



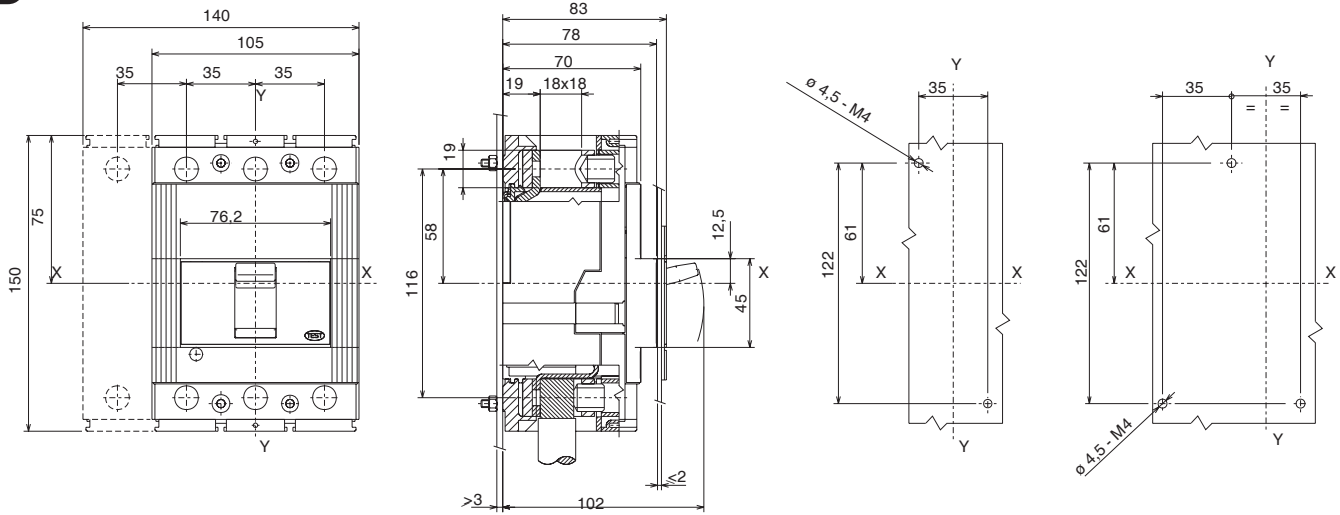
F - F

C

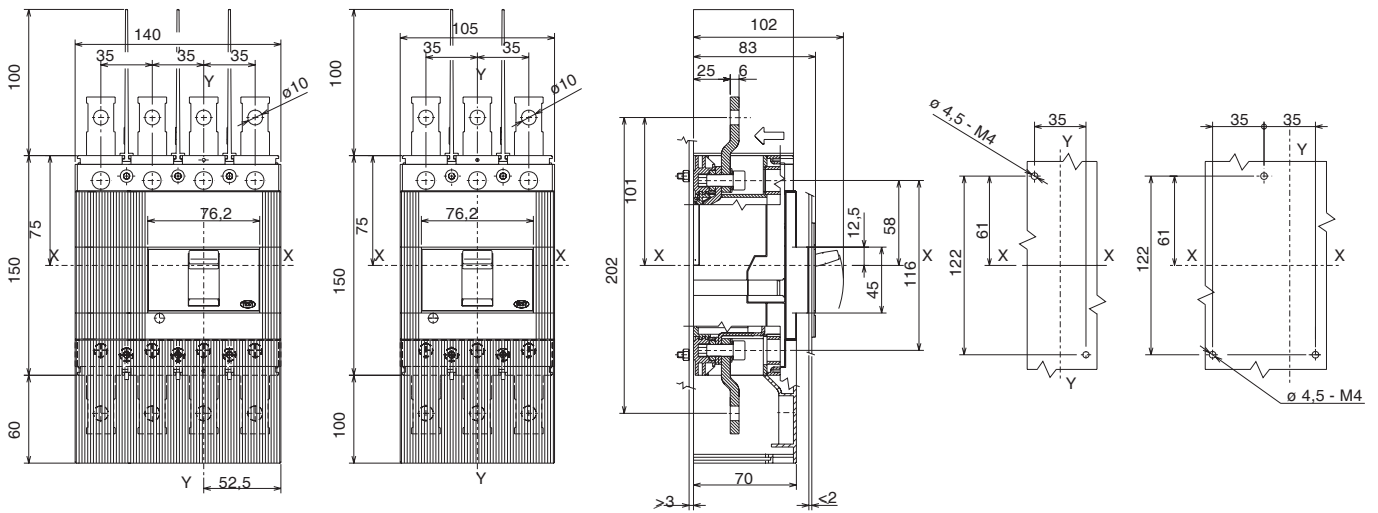


F-FCu

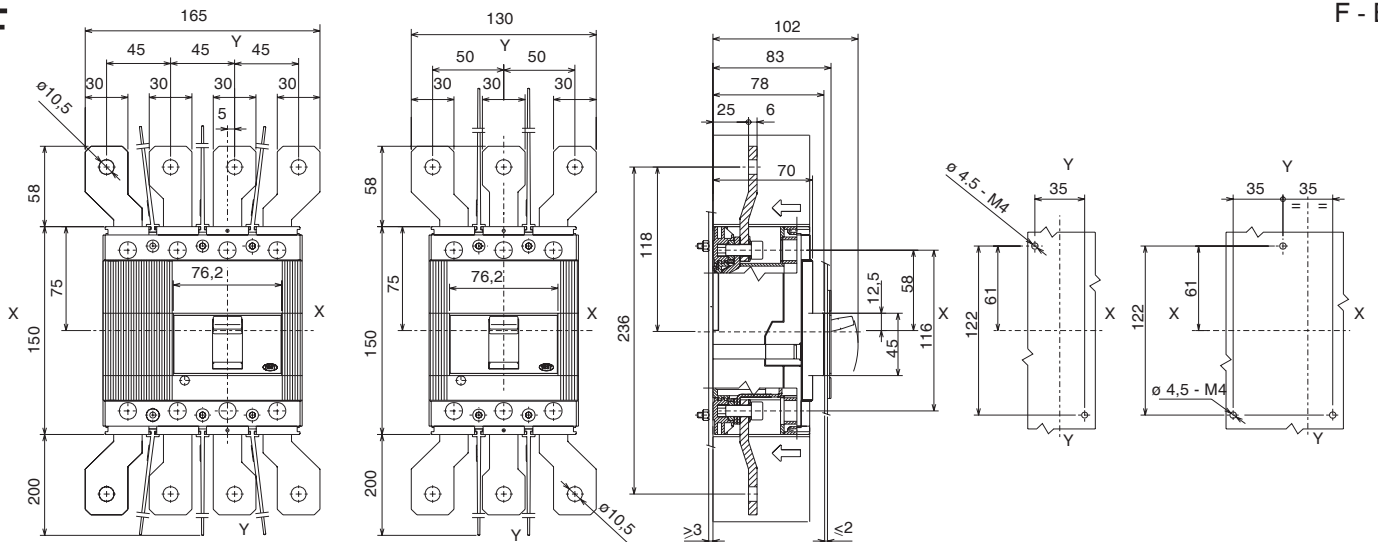
D

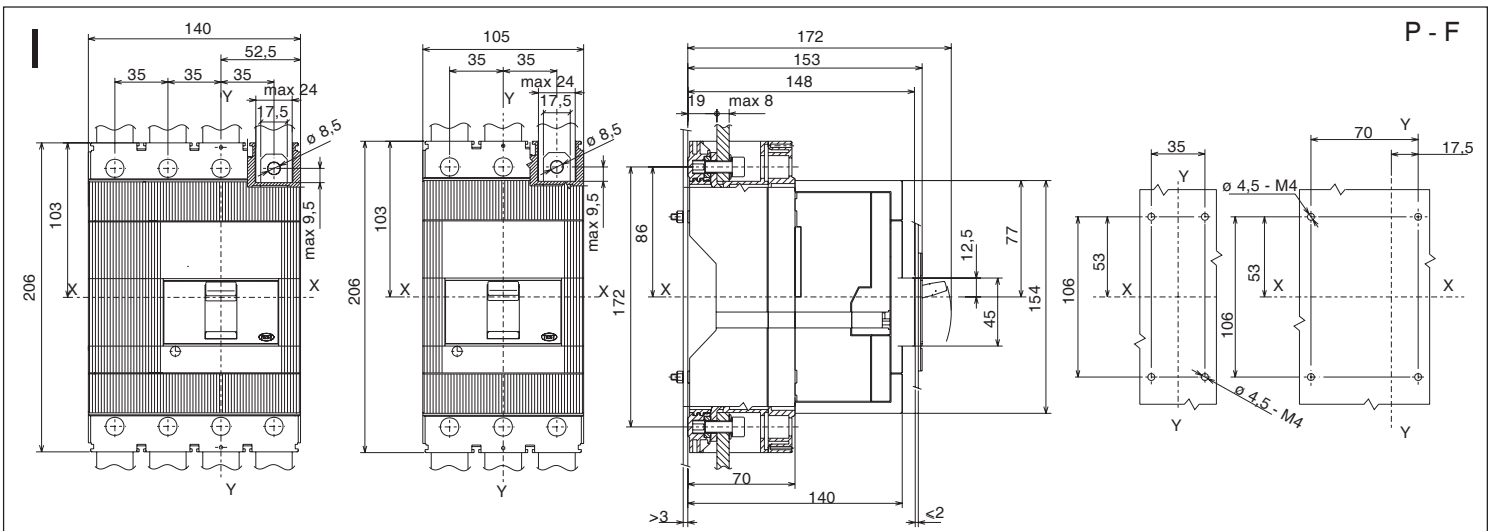
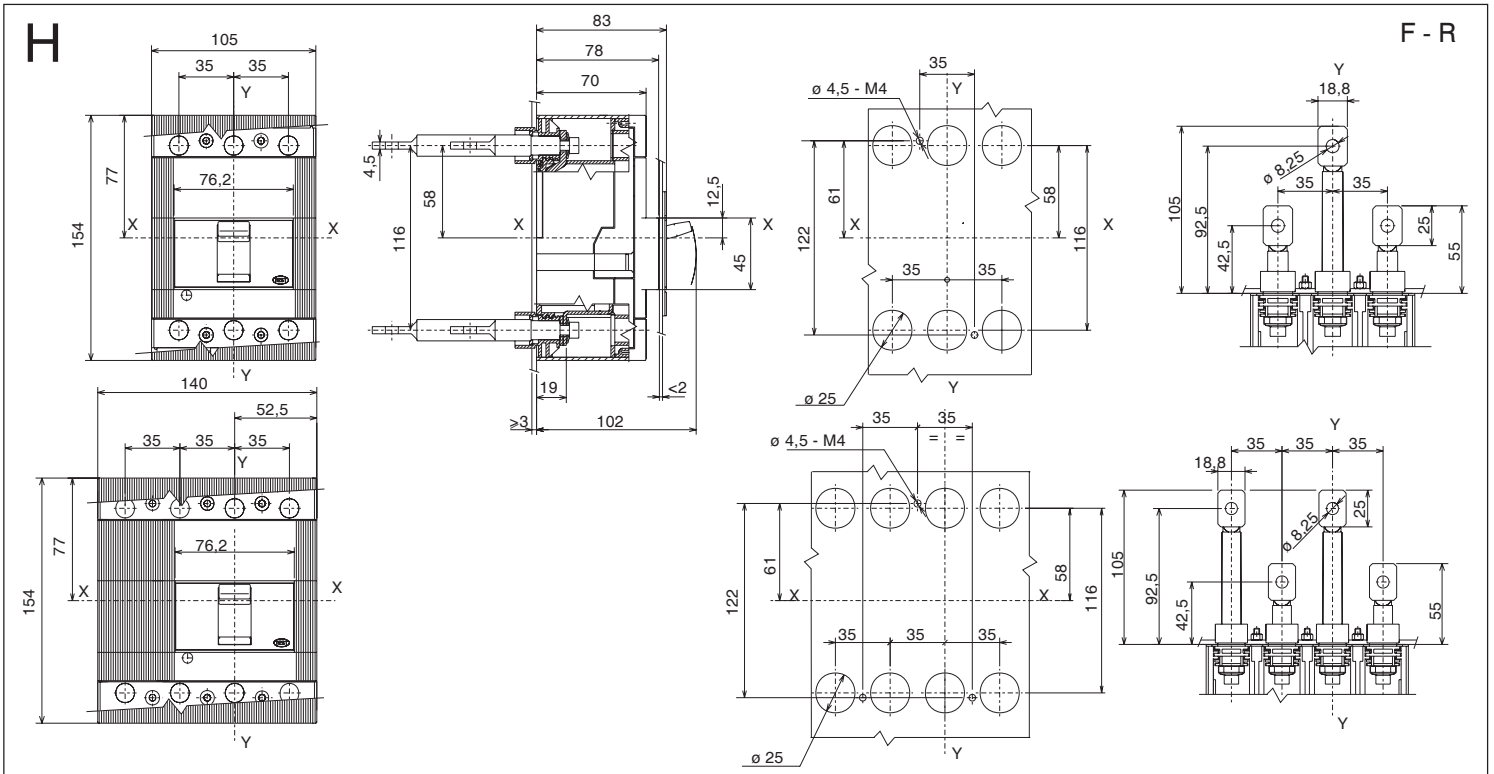
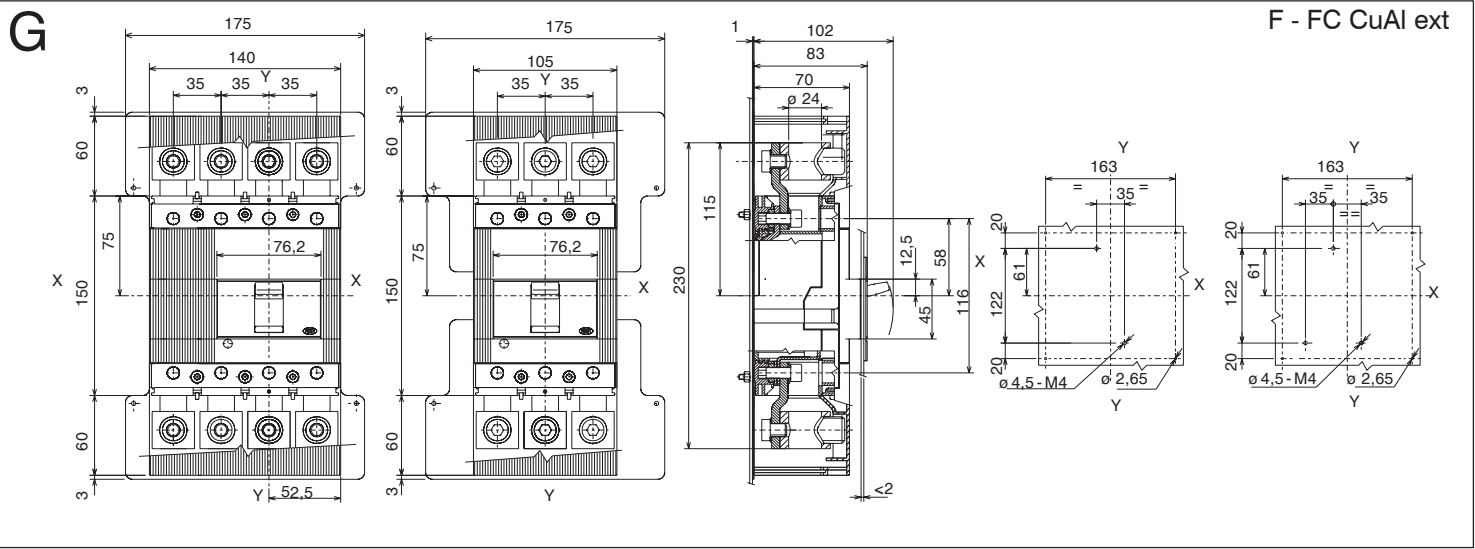


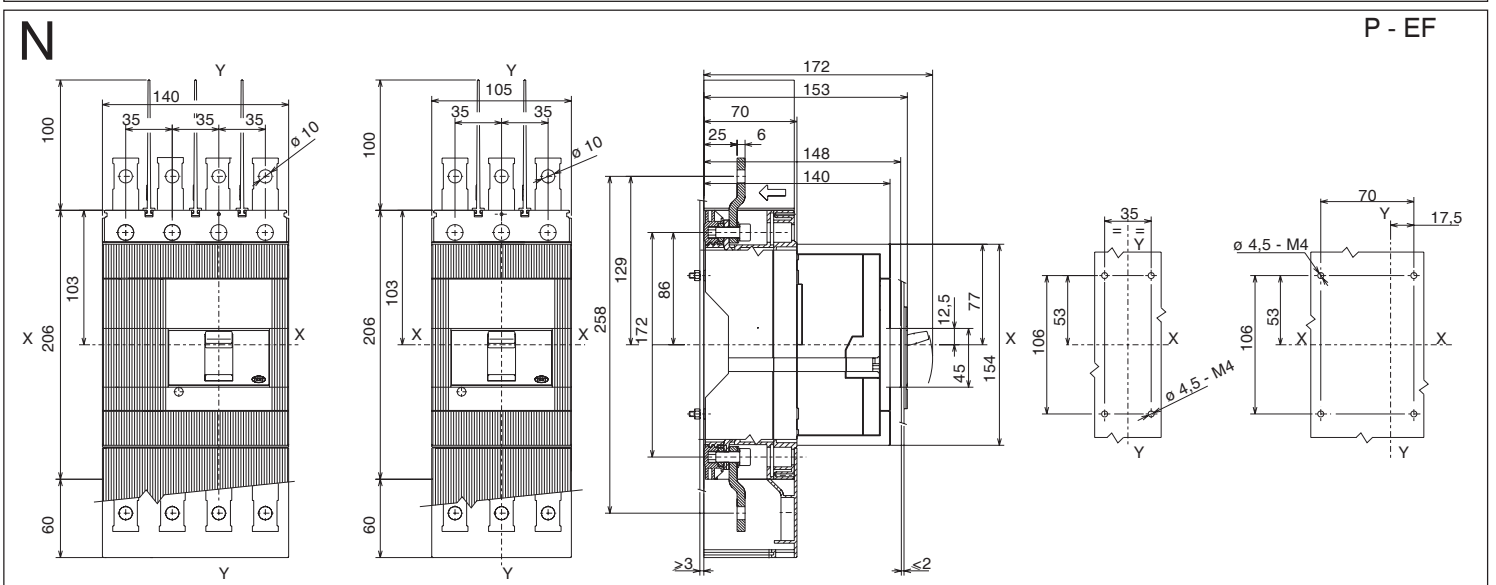
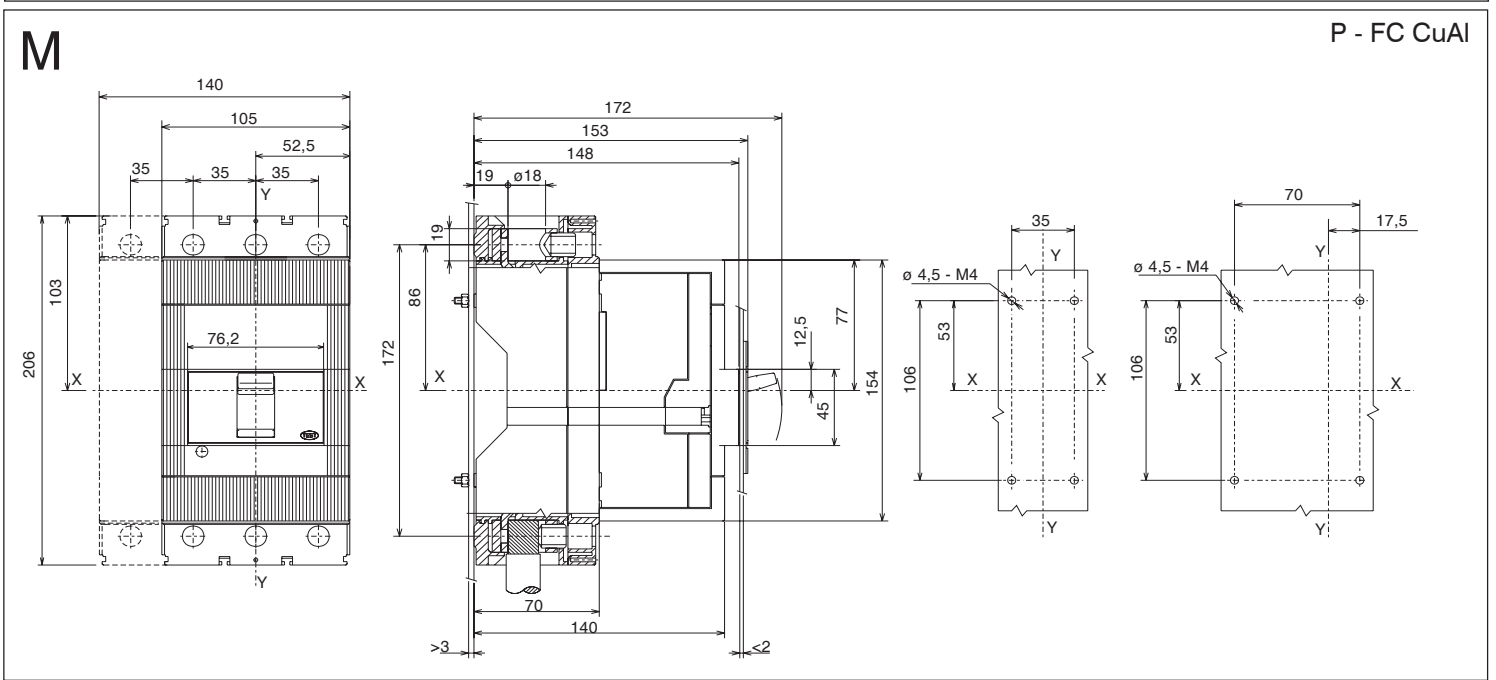
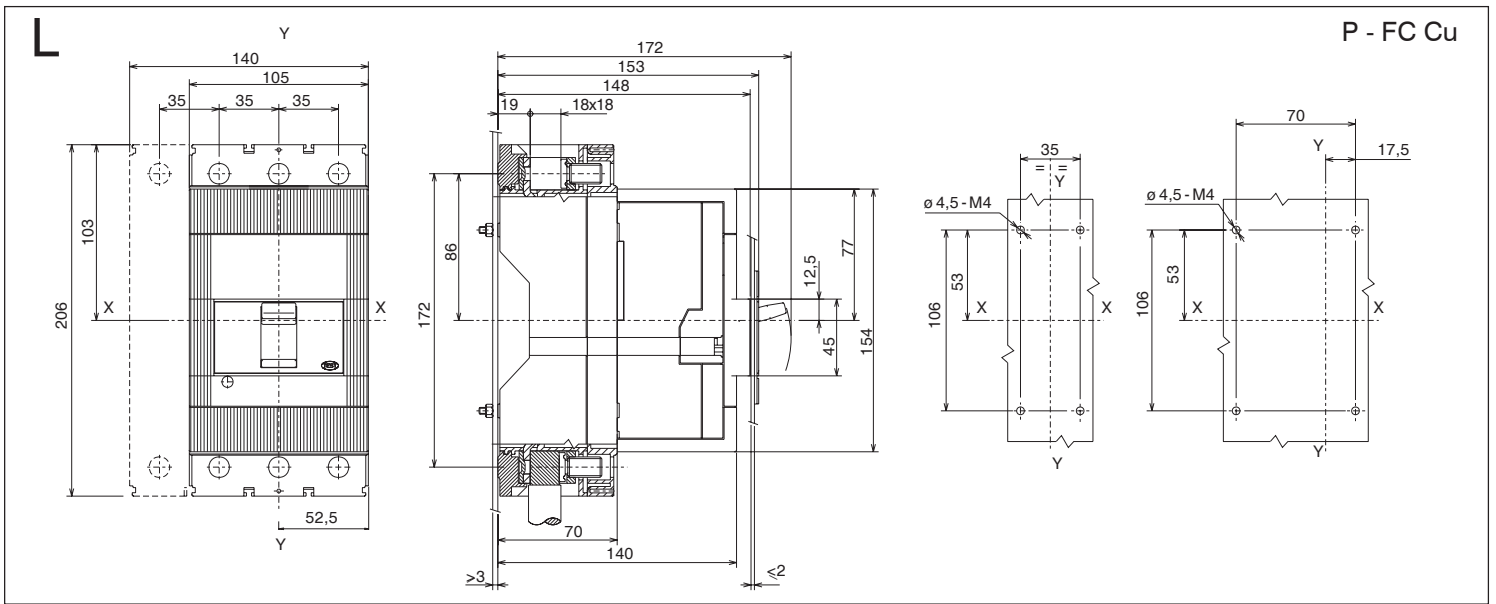
E

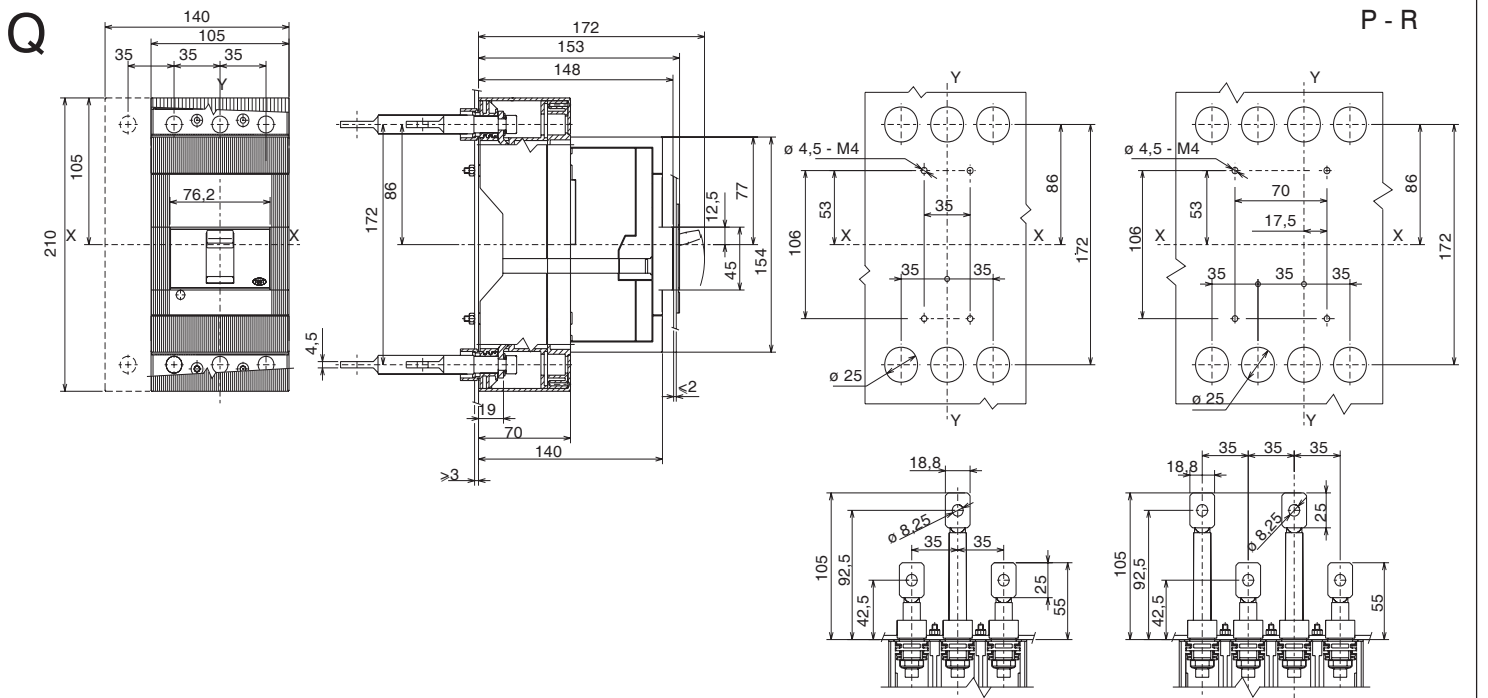
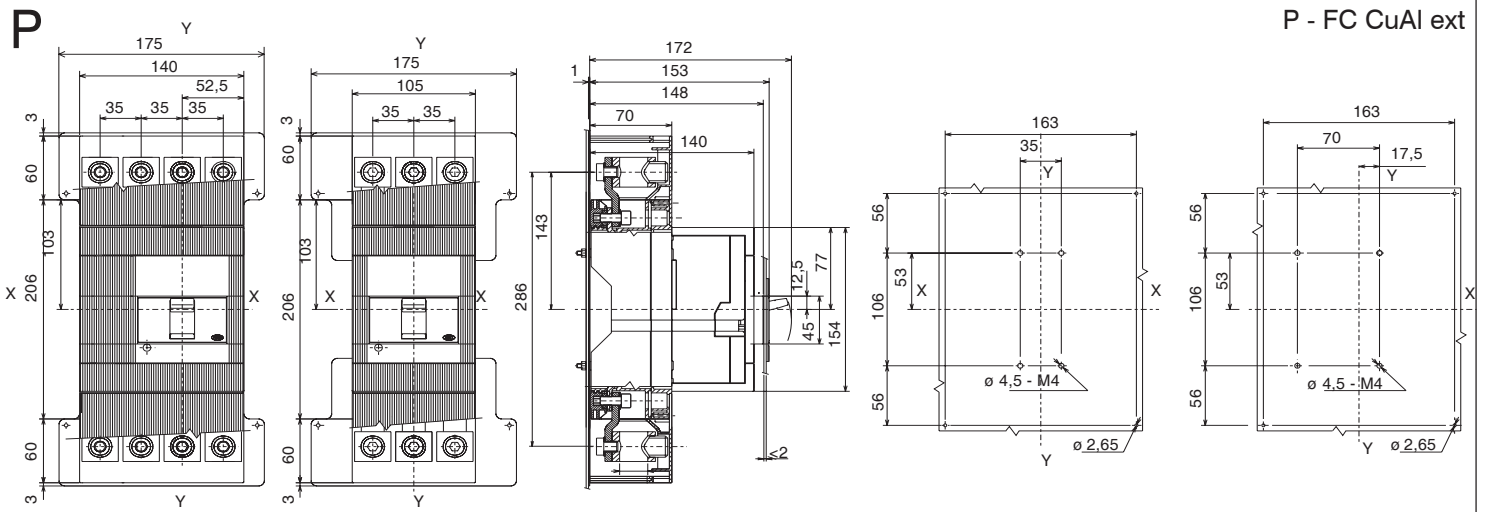
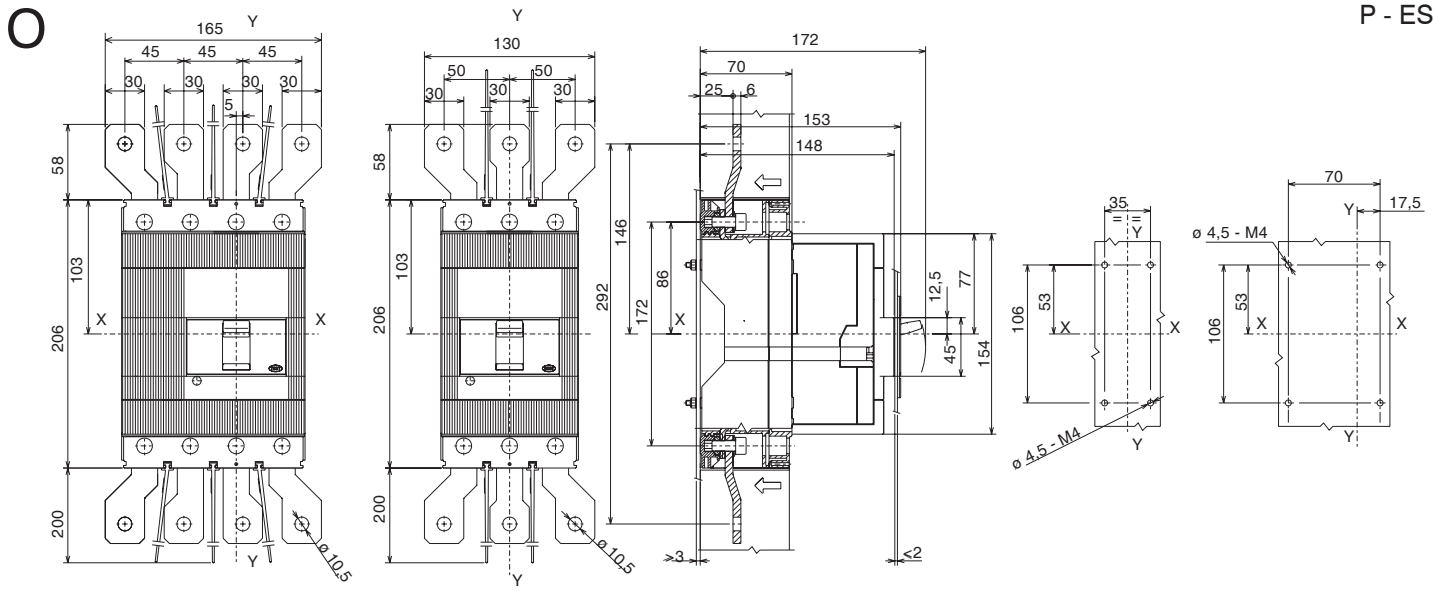


F

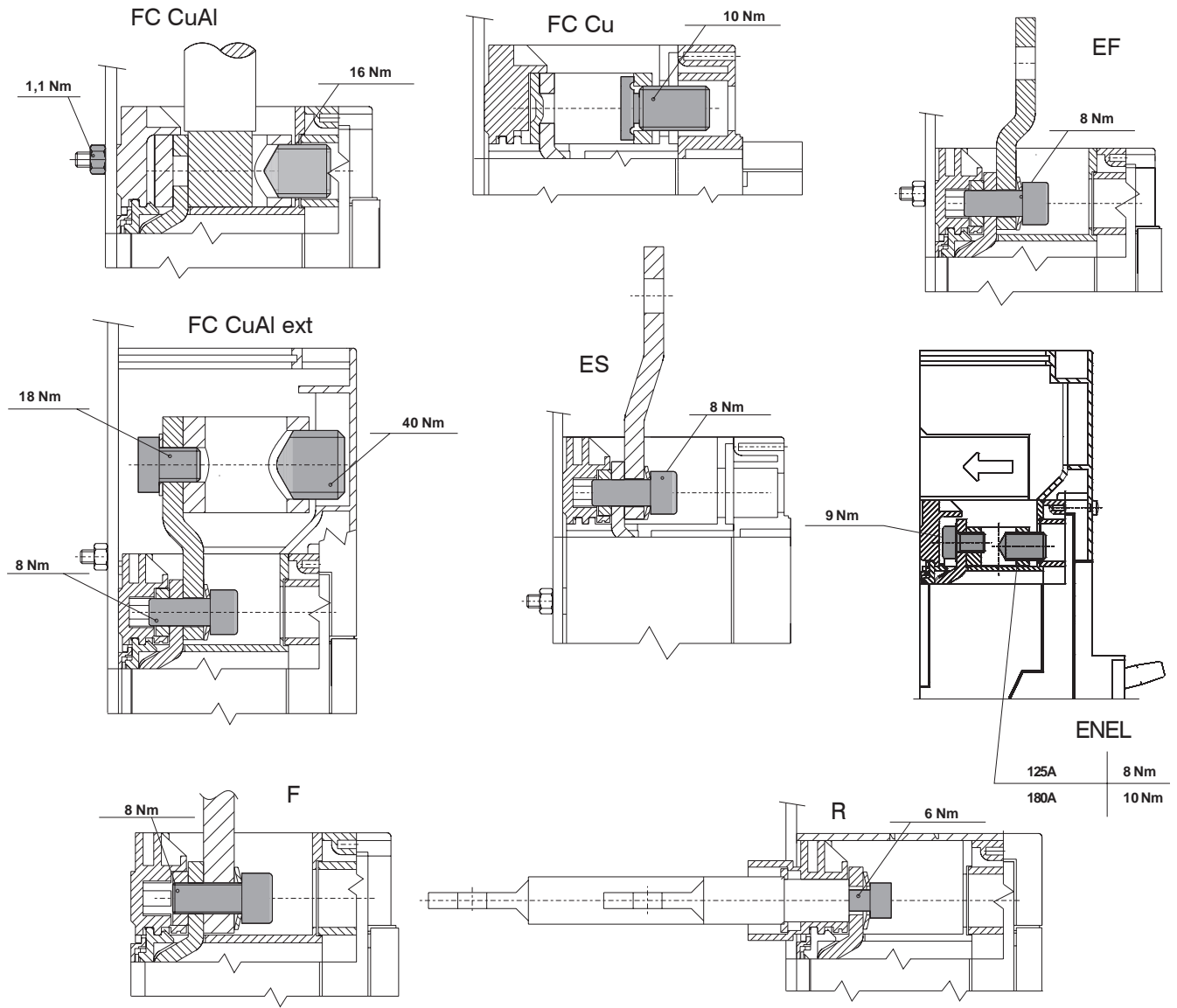




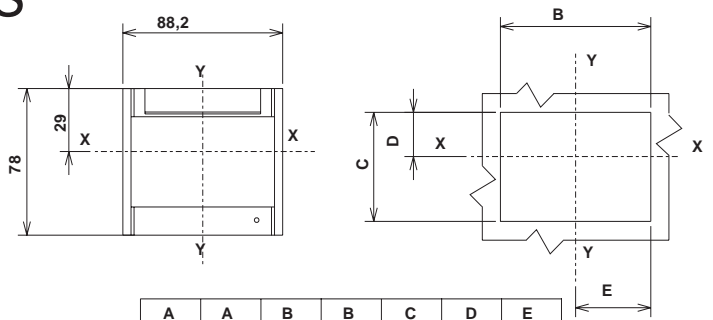




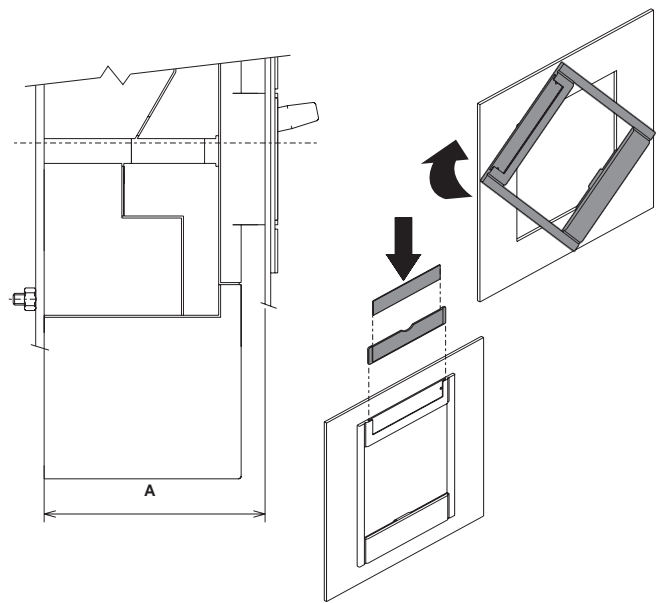
R



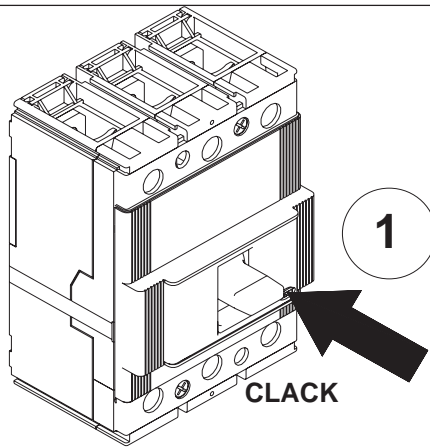
S



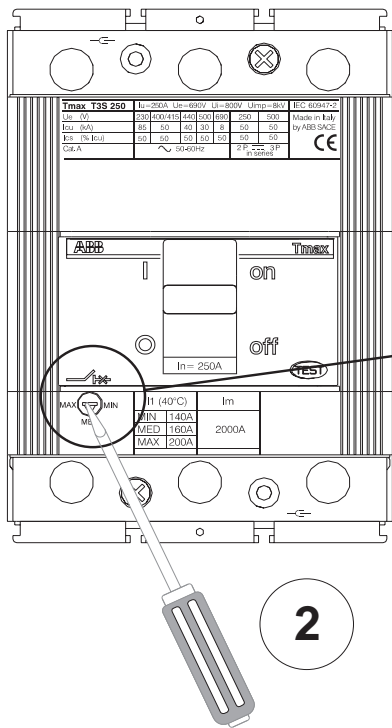
	A	A	B	B	C	D	E
	FISSO	REMOVIBILE	III POLES	IV POLES			
	FIXED	PLUG-IN					
WITH FLANGE CON MOSTRINA	79	149	83	83	58	19	41,5
WITHOUT FLANGE SENZA MOSTRINA	79	149	78,2	78,2	47	13,5	39,1
	71	141	107	142	47	13,5	53,5



T



SGANCIO!
TRIPPING!
AUSLÖSUNG!
DÉCLANCHEMENT!
DISPARO!

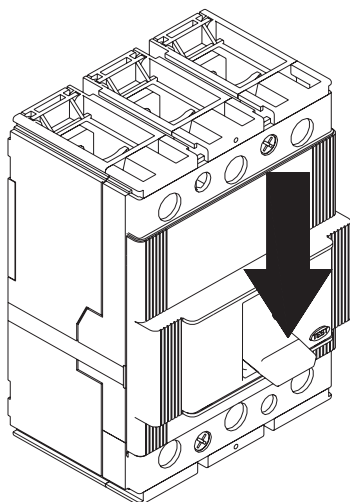


In(A)	Min (0.7)	Med (0.85)	Max (1xIn)
63	44.1	53.6	63
80	56.0	68.0	80
100	70.0	85.0	100
125	87.5	106.3	125
160	112.0	136.0	160
200	140.0	170.0	200
250	175.0	212.5	250

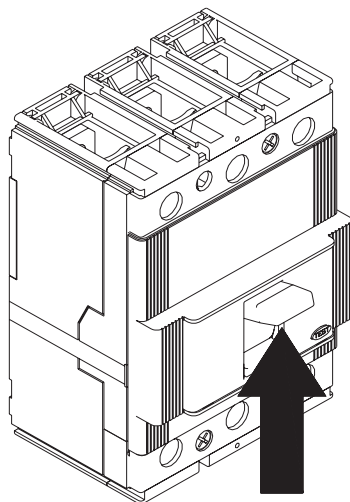
T3 MA

In(A)	I3 Min=Inx6	I3 Med=Inx9	I3 Max=Inx12
100	600	900	1200
125	750	1125	1500
160	960	1440	1920
200	1200	1800	2400

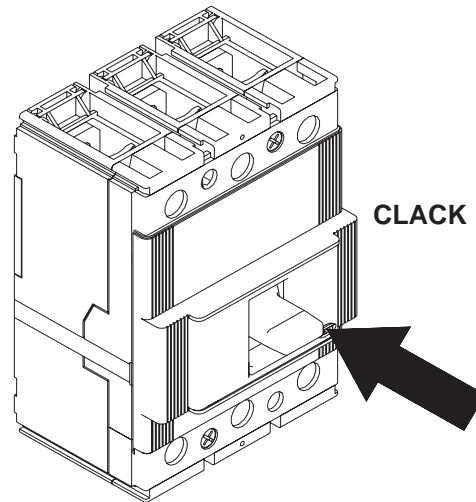
U



OFF



ON



TRIPPED

ABB



ABB SACE S.p.a.

Via Baioni, 35

24123 Bergamo Italy

Tel. +39 035 395.111 - Telefax +39 035 395.306-433

<http://www.abb.com>