

# Emax - Tmax

DOC. N.° 1SDH000529R0805 - L2770

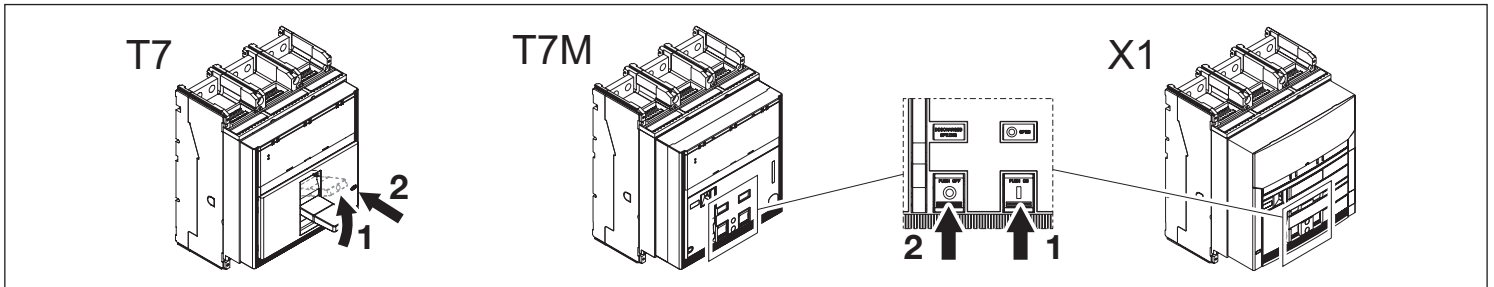
HR/VR/R - Terminali posteriori per interruttore fisso T7-T7M-X1

HR/VR/R - Rear Terminals for fixed circuit-breaker T7-T7M-X1

HR/VR/R - Rückseitige Anschlüsse für Leistungsschalter in fester Ausführung T7-T7M-X1

HR/VR/R - Raccordements arriere pour disjoncteur fixe T7-T7M-X1

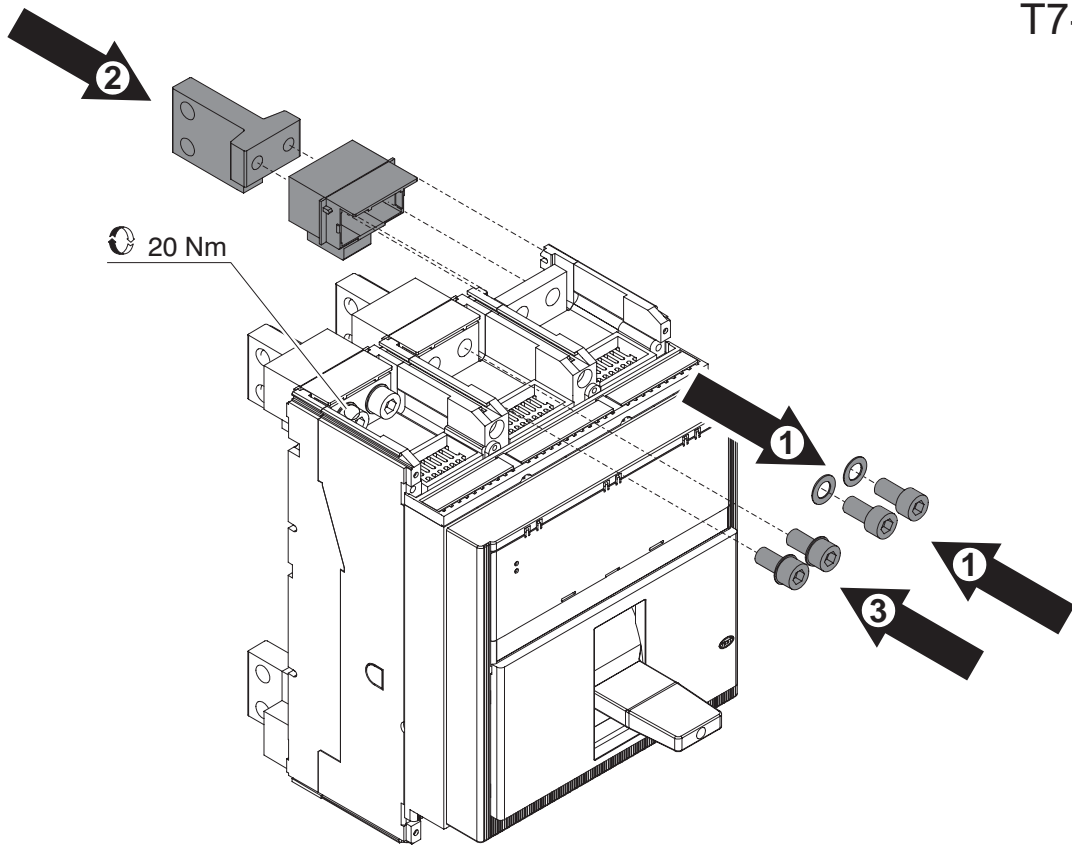
HR/VR/R - Terminales traseros para interruptor fijo T7-T7M-X1



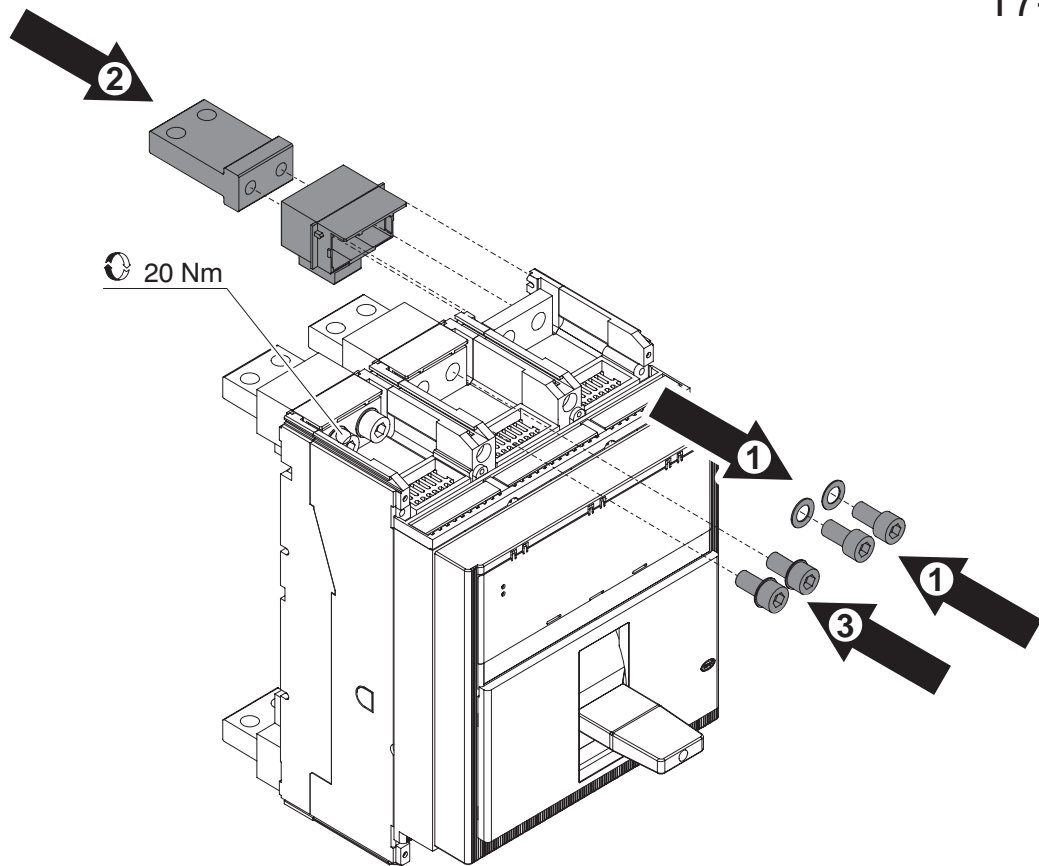
<b>HR</b>	III	3(6)	3(6)	6(12)	6(12)
	IV	4(8)	4(8)	8(16)	8(16)
<b>VR</b>	III	3(6)	3(6)	6(12)	6(12)
	IV	4(8)	4(8)	8(16)	8(16)
<b>HR - VR</b>	III	3(6)	3(6)	3(6)	6(12)  6(12)
	IV	4(8)	4(8)	4(8)	8(16)  8(16)

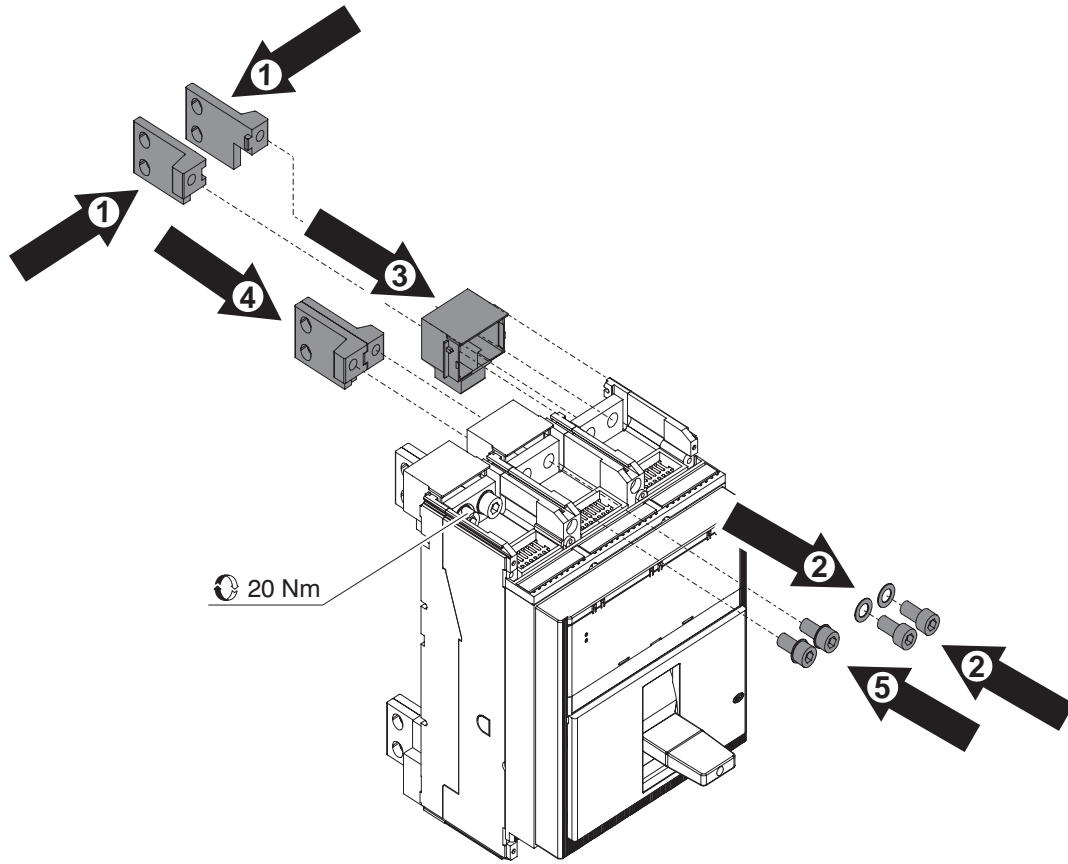
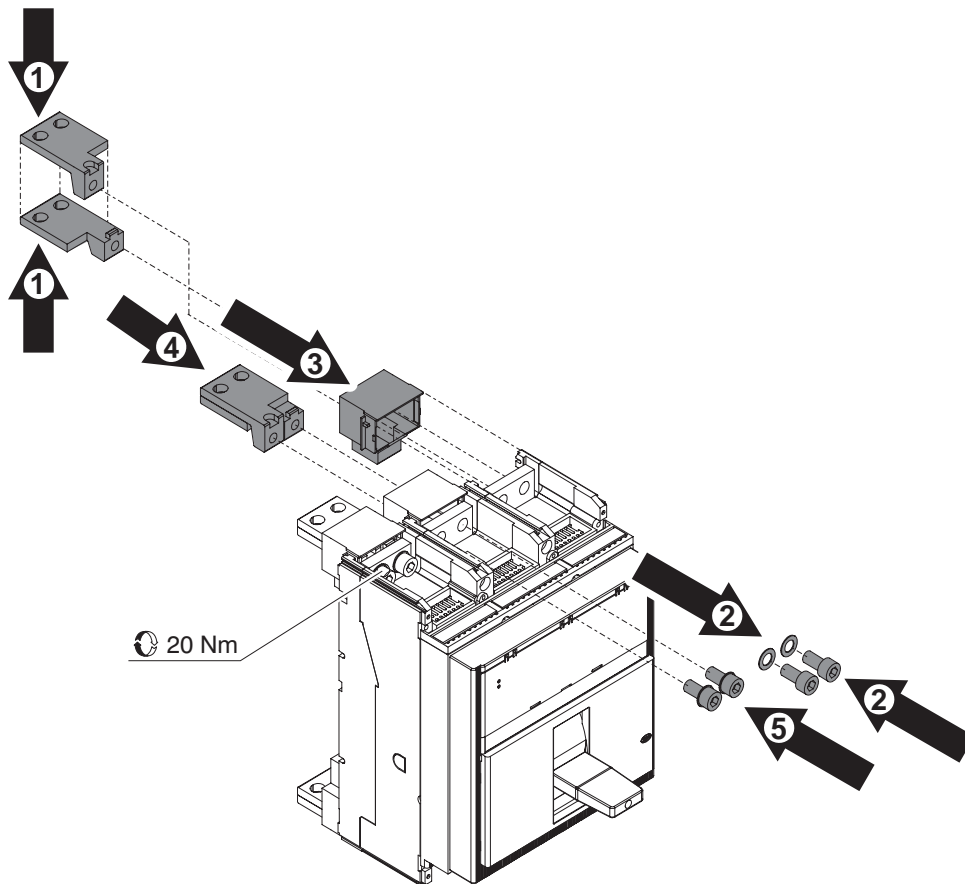
**A**

T7-T7M-X1

**B**

T7-T7M-X1



**C****T7-T7M-X1****D****T7-T7M-X1****ABB SACE S.p.A.**Via Baioni, 35  
24123 Bergamo Italy

Tel.: +39 035 395.111 - Telefax: +39 035 395.306-433

<http://www.abb.com>