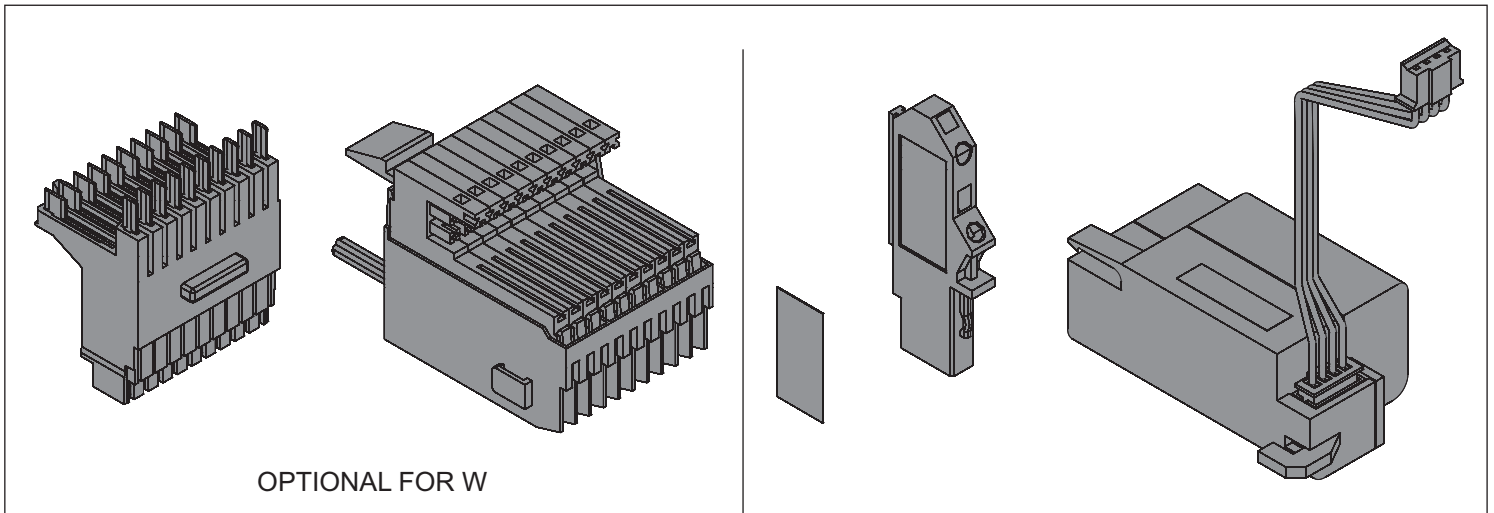
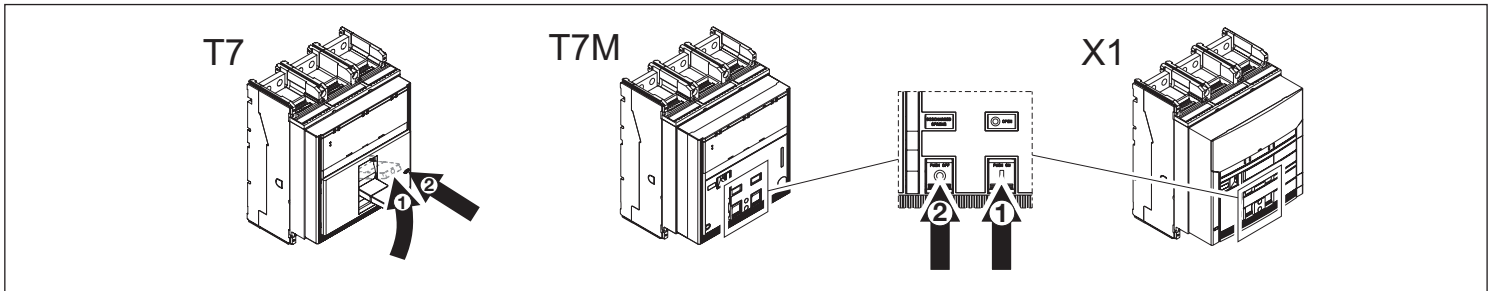


# Emax - Tmax

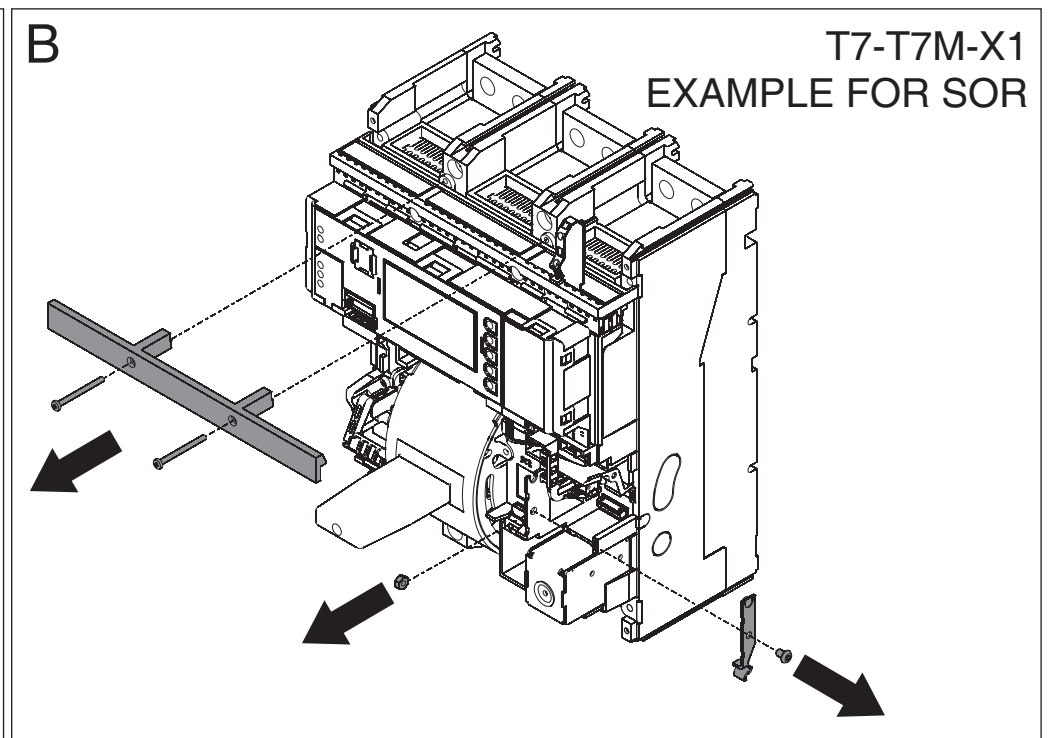
DOC. N.° 1SDH000529R0509 - L3015

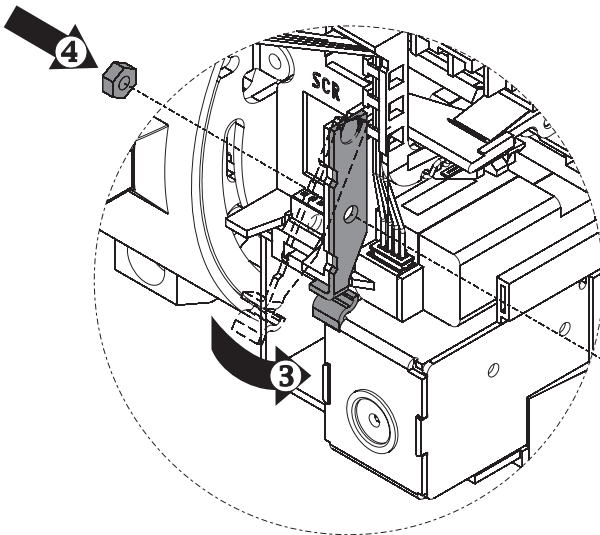
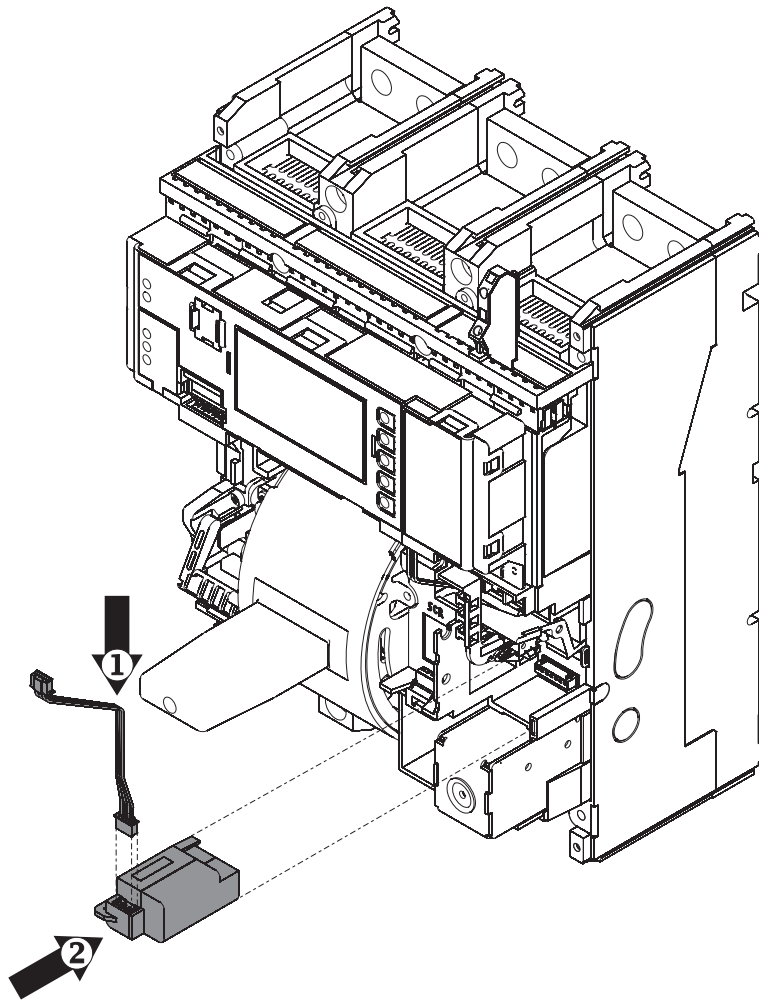
Unità di attuazione PR330/R  
 Actuator unit PR330/R  
 Steuereinheit PR330/R  
 Unité d'actionnement PR330/R  
 Unidad de actuación PR330/R



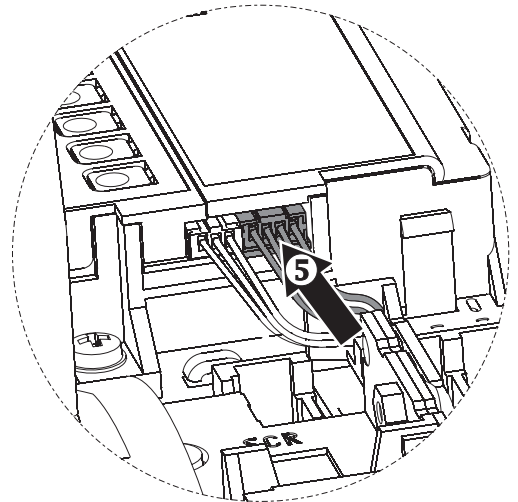
**A**

	SOR	SCR	
PR330/R	YES	YES	T7M-X1
	-	YES	T7M-X1
	YES	-	T7-T7M-X1



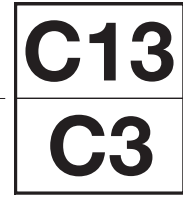
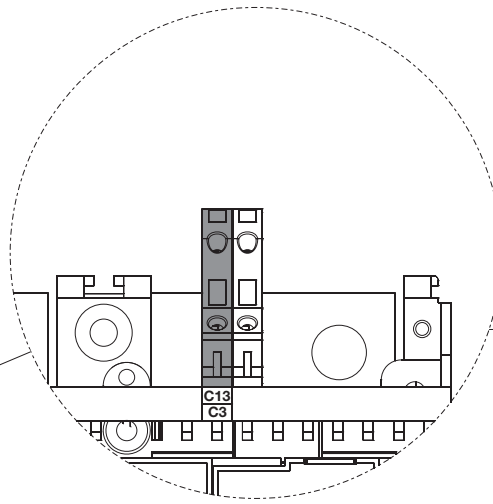
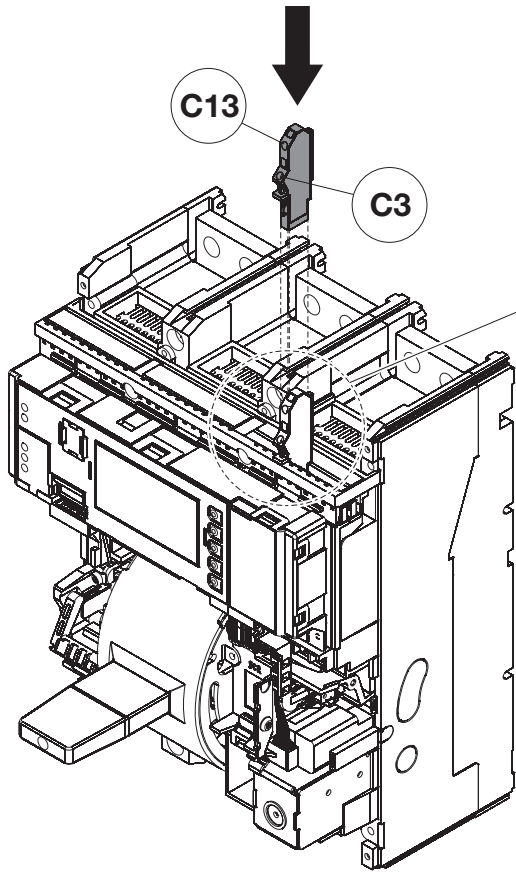


1,2 Nm

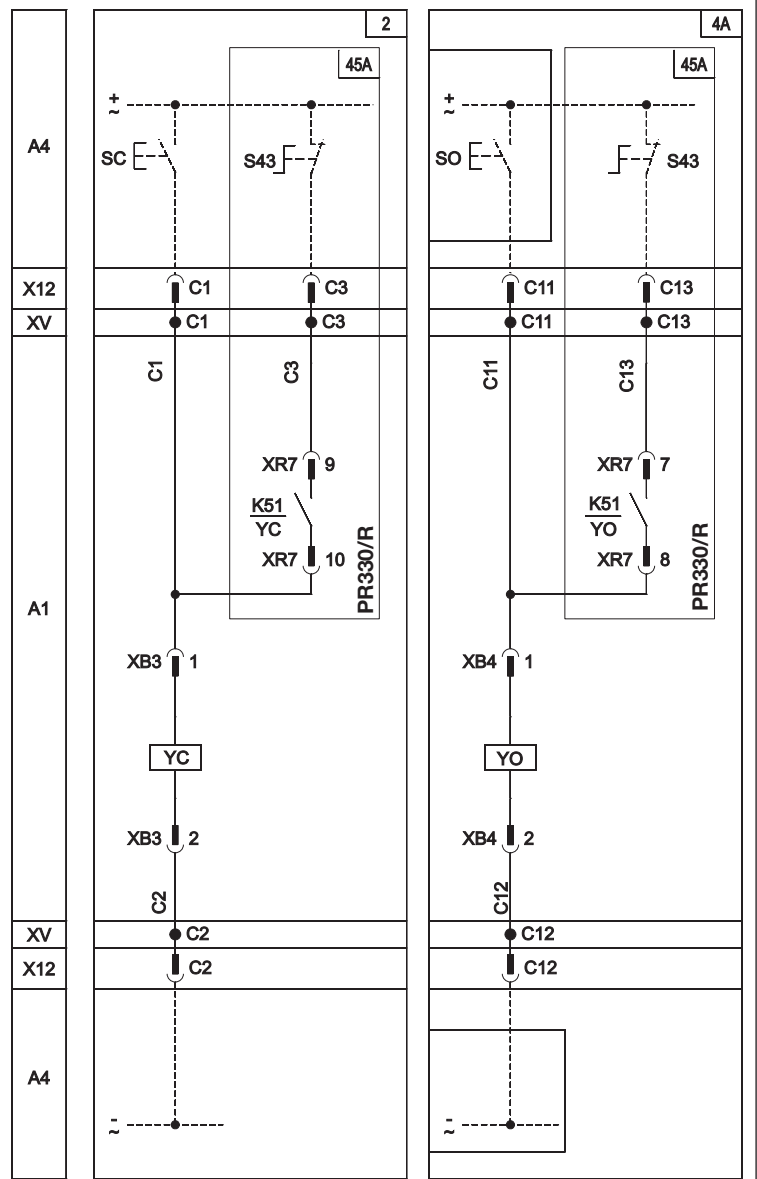


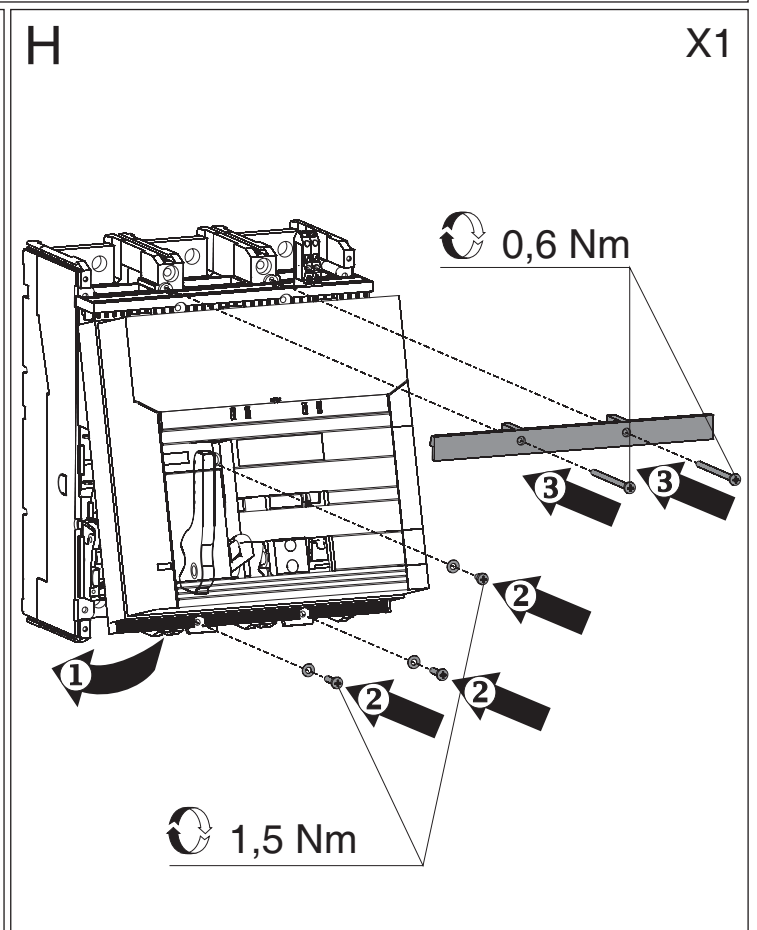
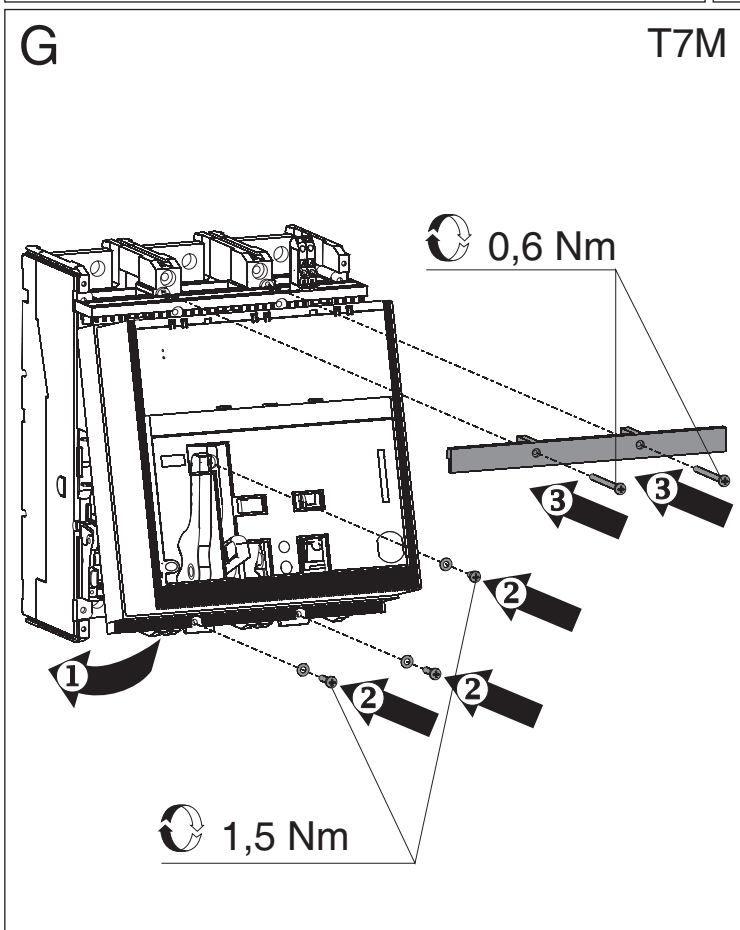
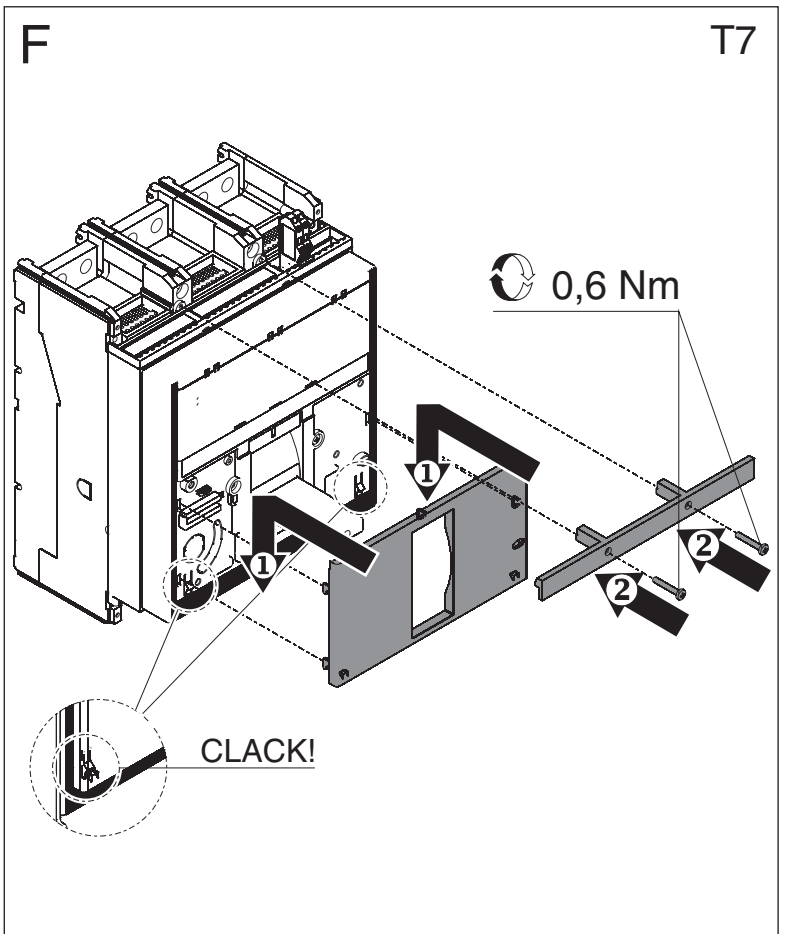
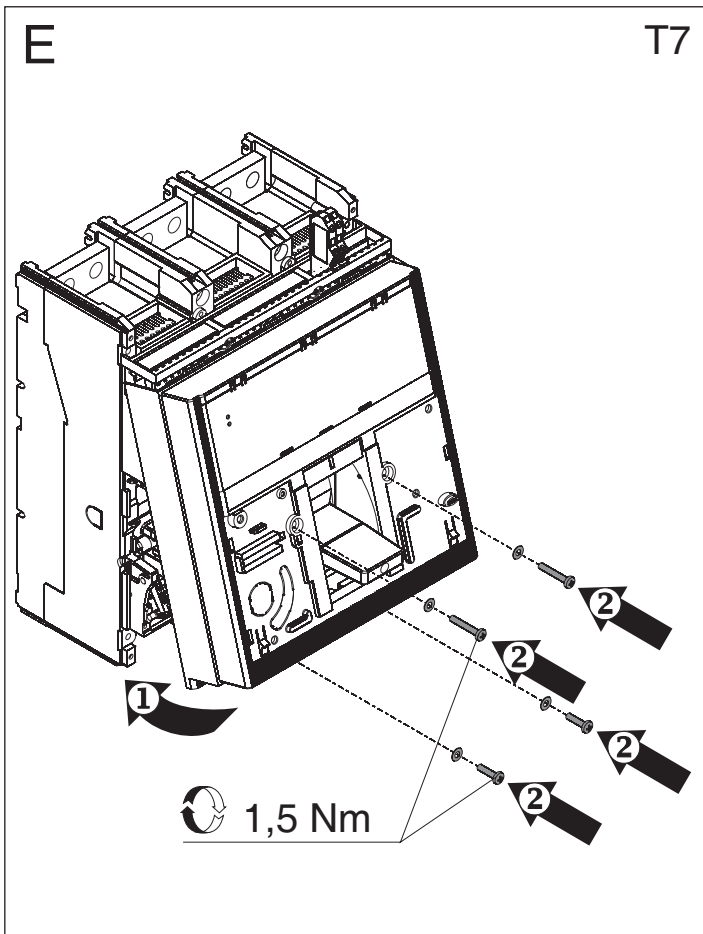
D

T7-T7M-X1

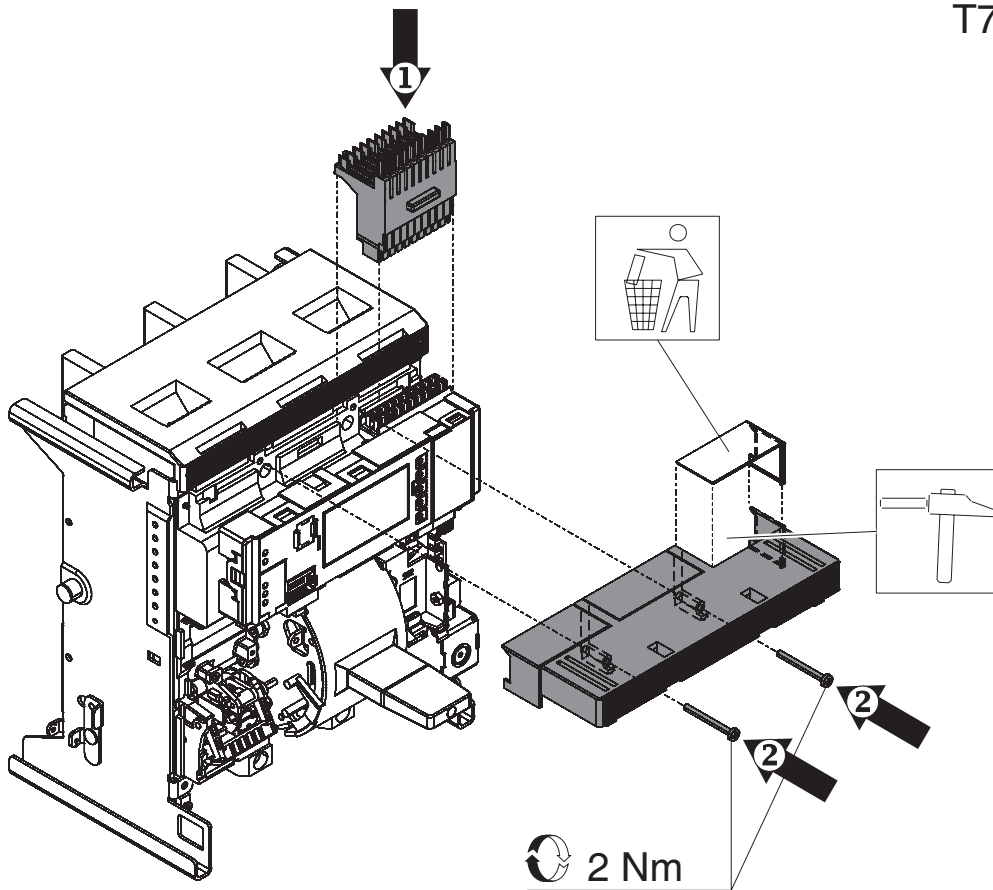


	SOR	SCR	
PR330/R	YES	YES	T7M-X1
	-	YES	T7M-X1
	YES	-	T7-T7M-X1

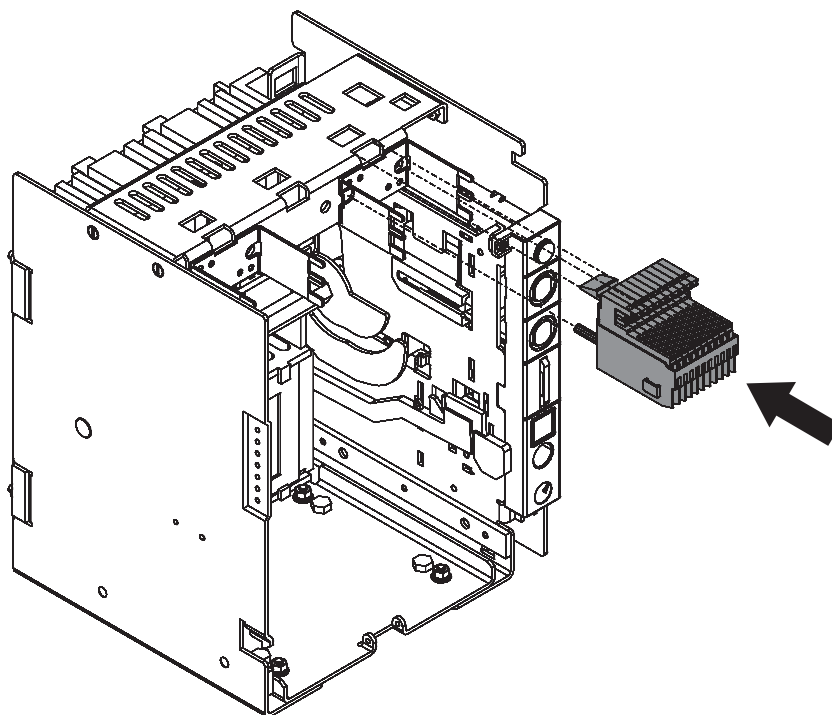




T7-T7M-X1/W



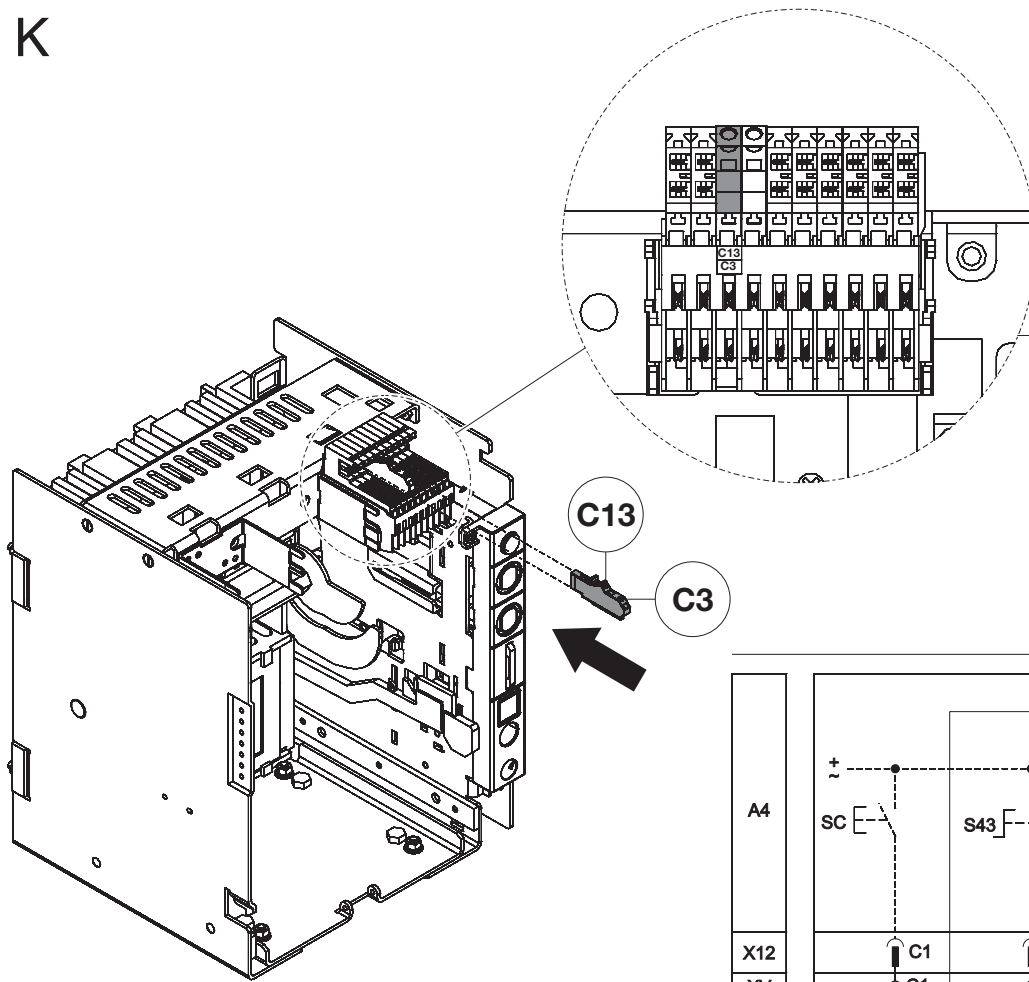
T7-T7M-X1/W



**ABB**

K

T7-T7M-X1/W



C13  
C3

	SOR	SCR	
PR330/R	YES	YES	T7M-X1
	-	YES	T7M-X1
	YES	-	T7-T7M-X1

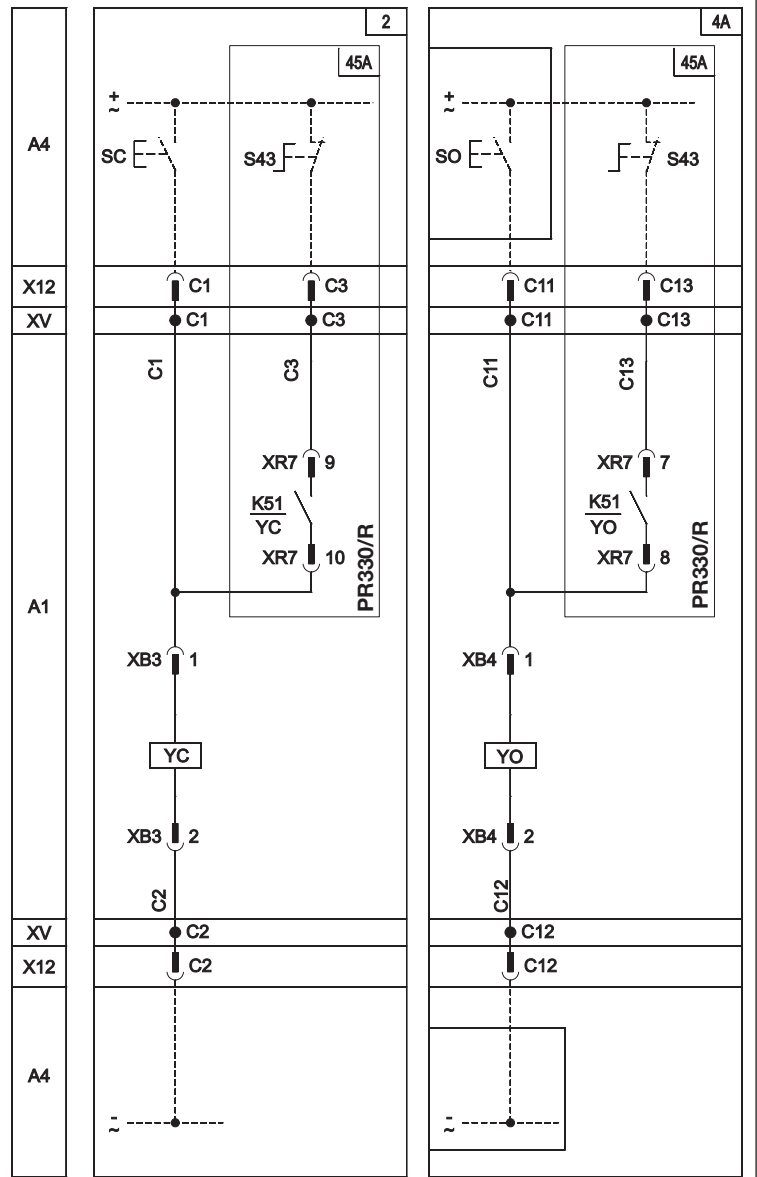


ABB SACE S.p.A.

Via Baioni, 35  
24123 Bergamo Italy

Tel.: +39 035 395.111 - Telefax: +39 035 395.306-433

<http://www.abb.com>