

Emax - Tmax

DOC. N.° 1SDH000529R0511 - L3015

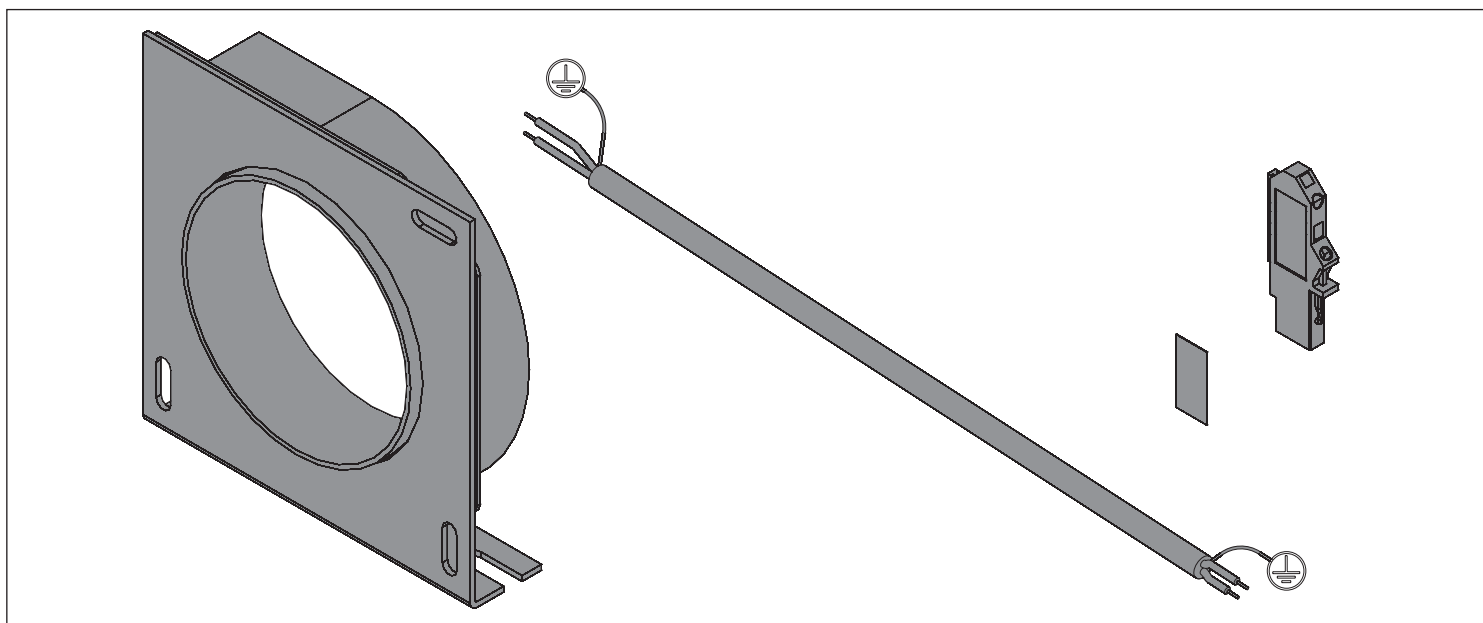
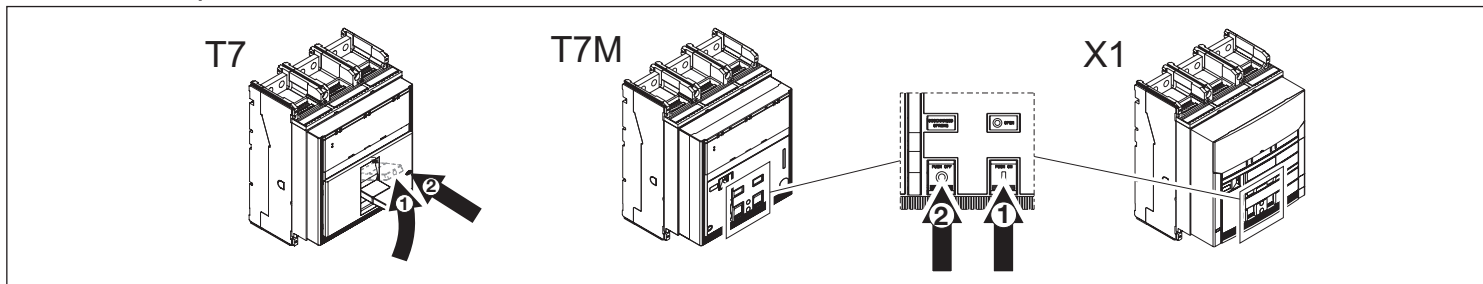
Sensore omopolare T7-T7M-X1

Homopolar sensor T7-T7M-X1

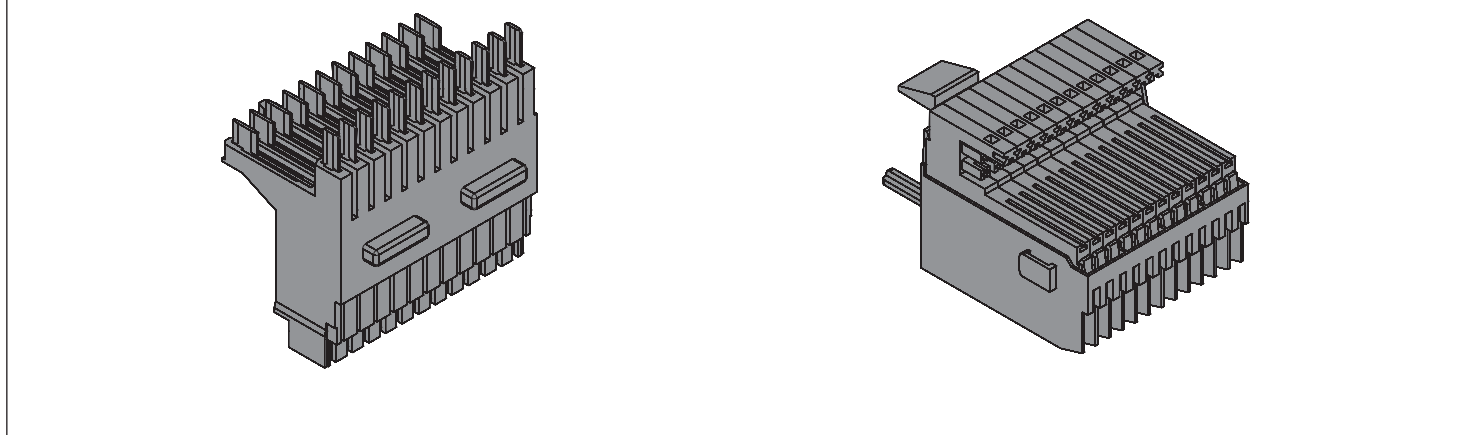
Nullstromwandler T7-T7M-X1

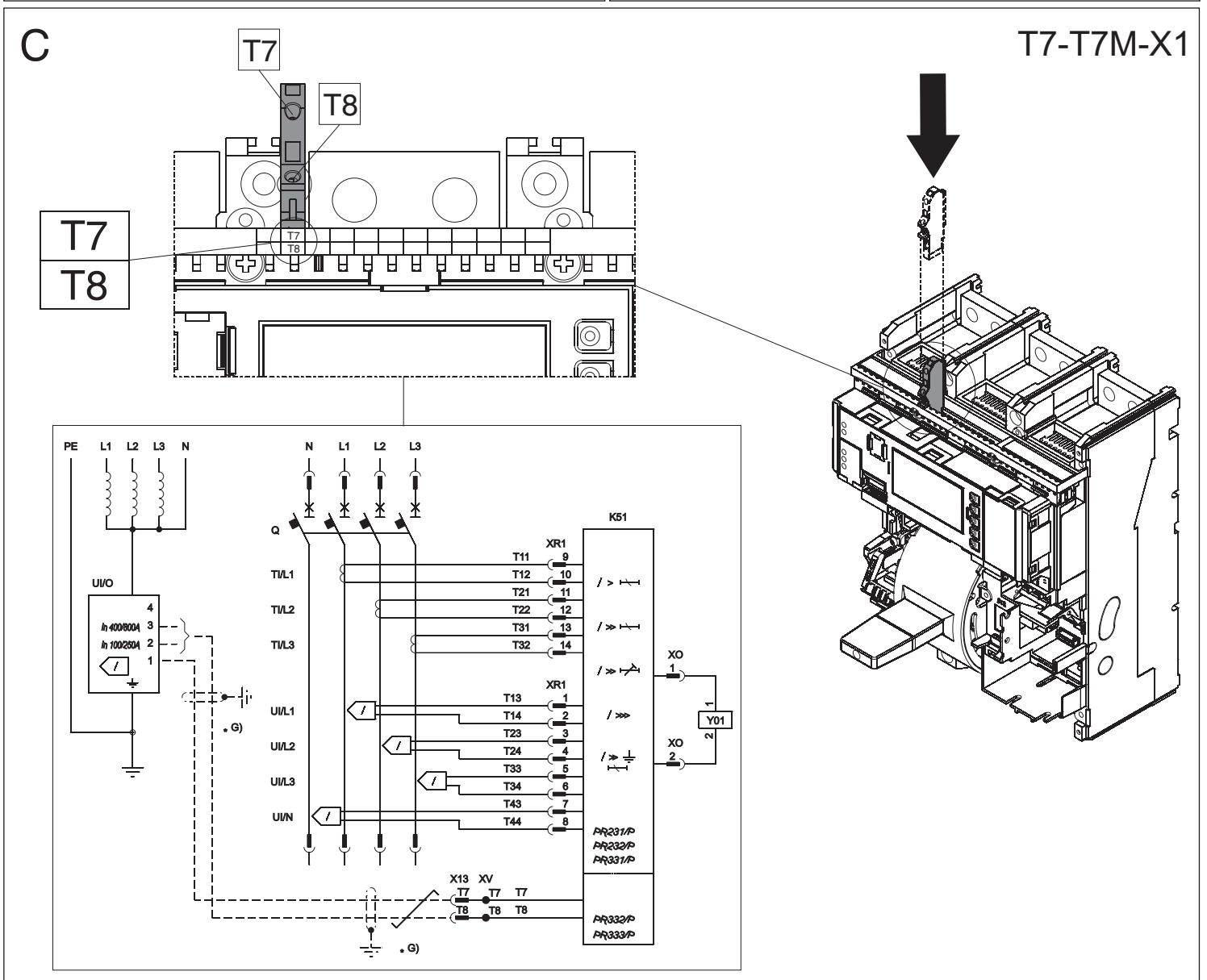
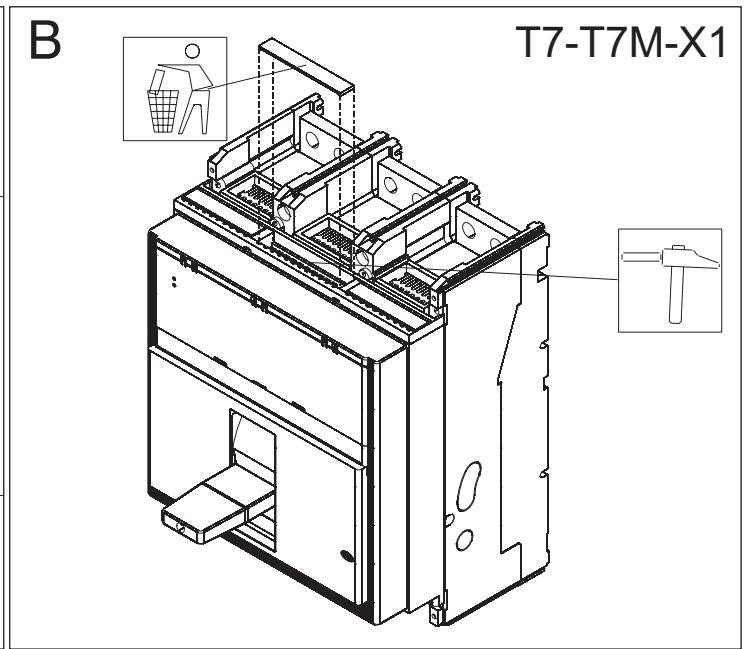
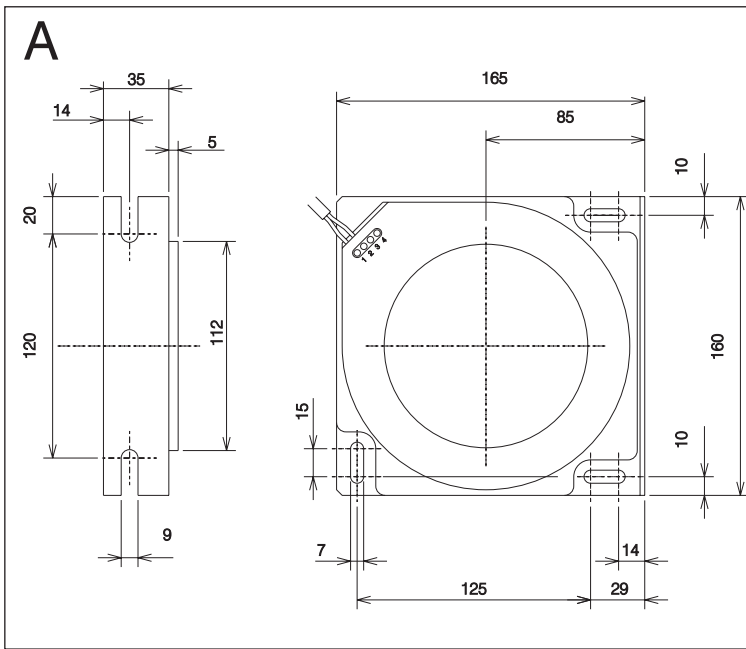
Capteur homopolaire T7-T7M-X1

Sensor homopolar T7-T7M-X1

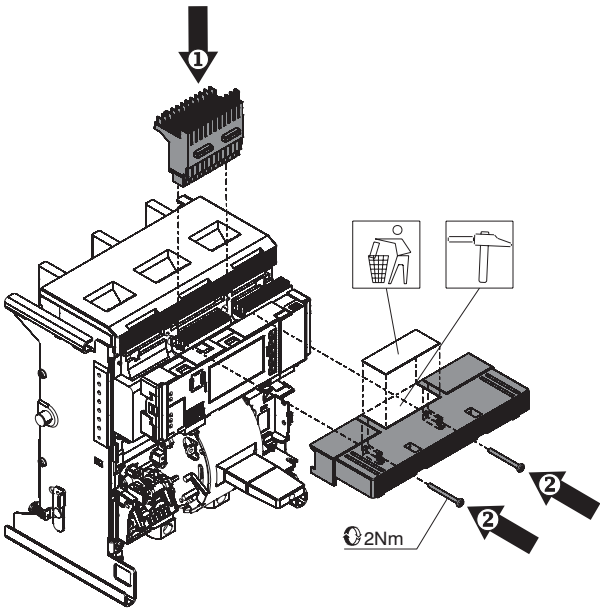


OPTIONAL FOR W

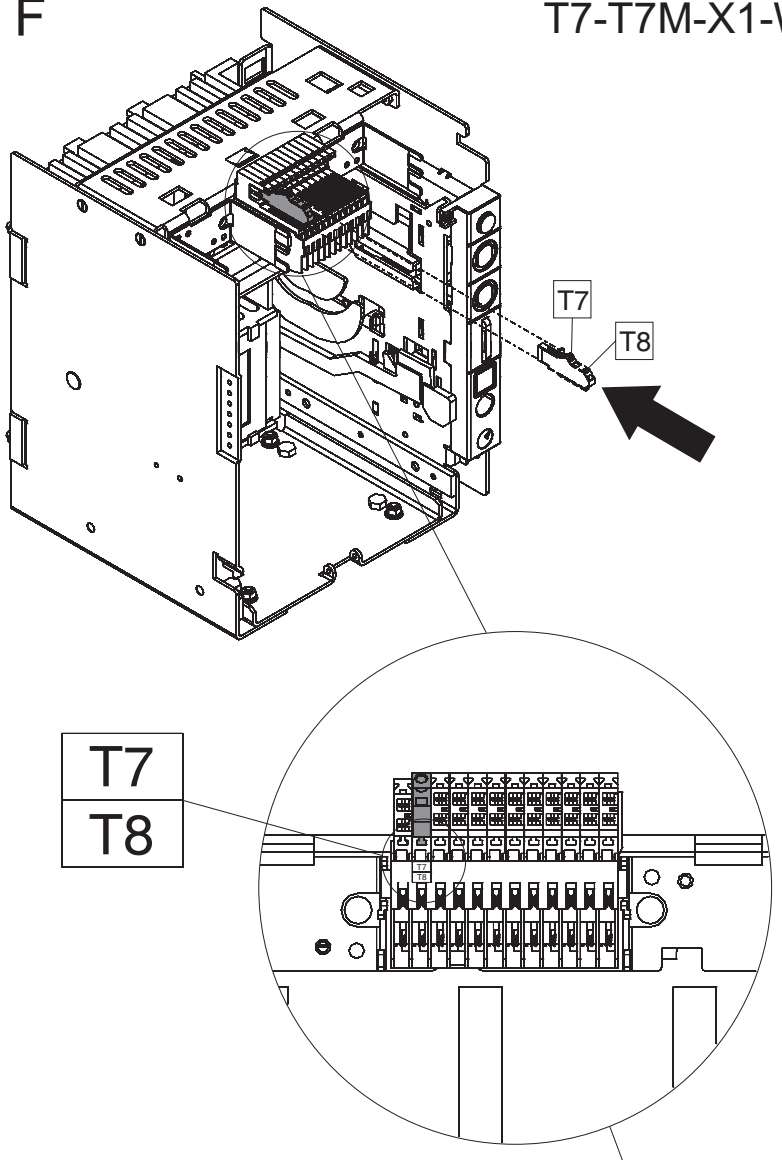




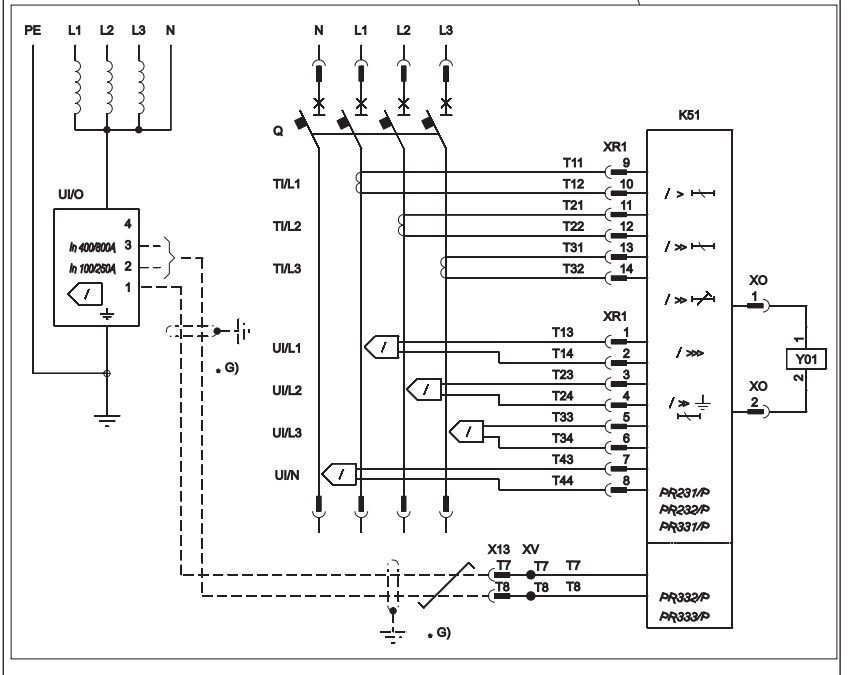
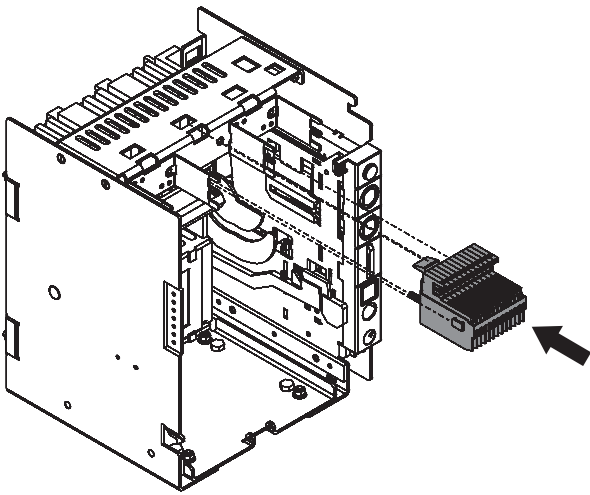
D T7-T7M-X1 W



F T7-T7M-X1-W



E T7-T7M-X1 W



G

T7-T7M-X1

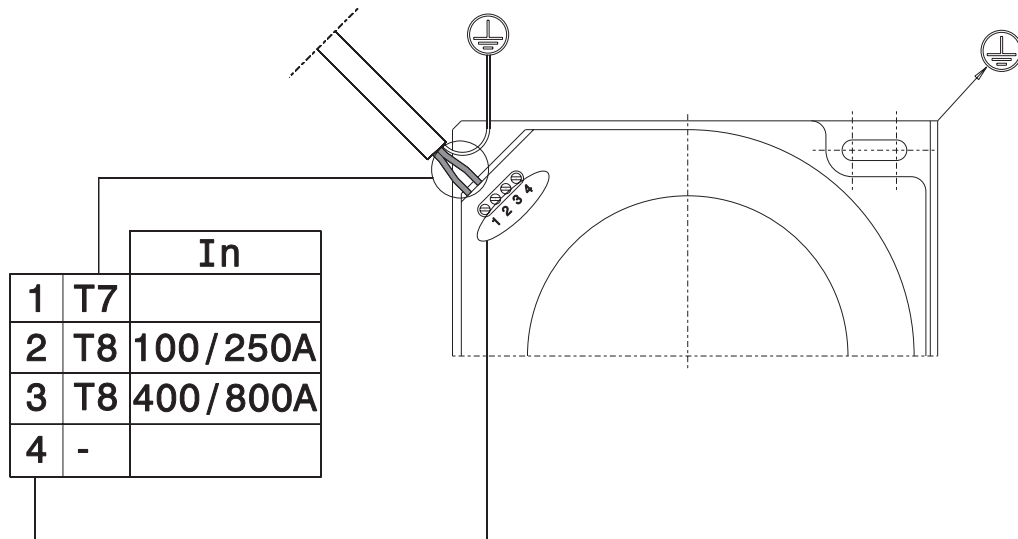
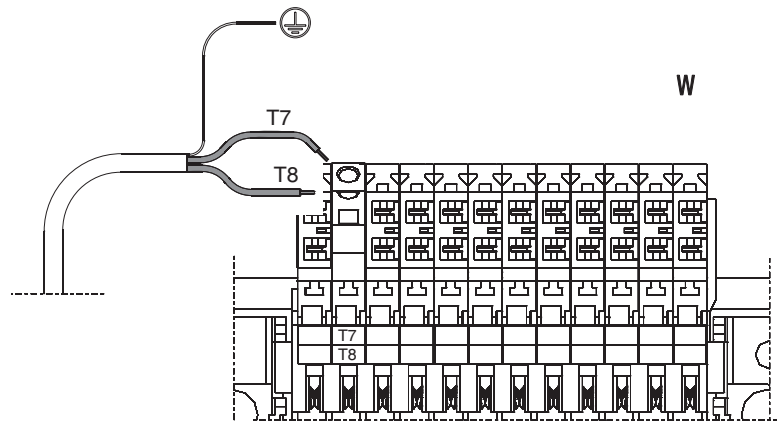
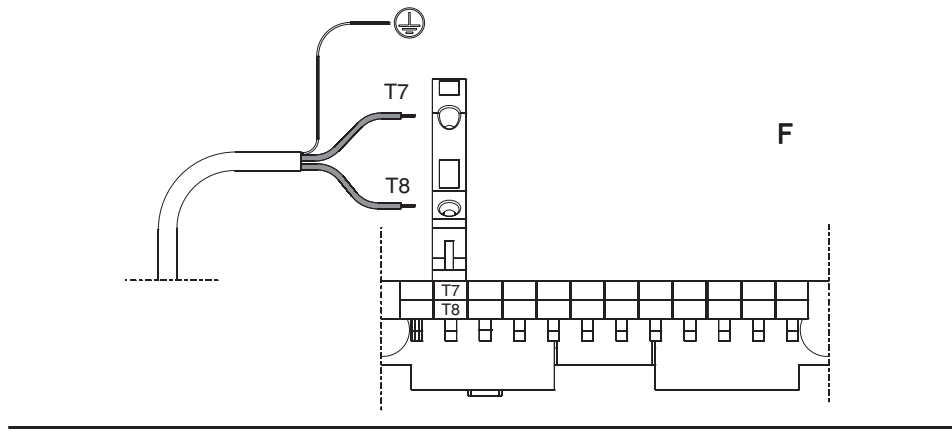


ABB SACE S.p.A.

Via Baioni, 35
24123 Bergamo Italy

Tel.: +39 035 395.111 - Telefax: +39 035 395.306-433

<http://www.abb.com>