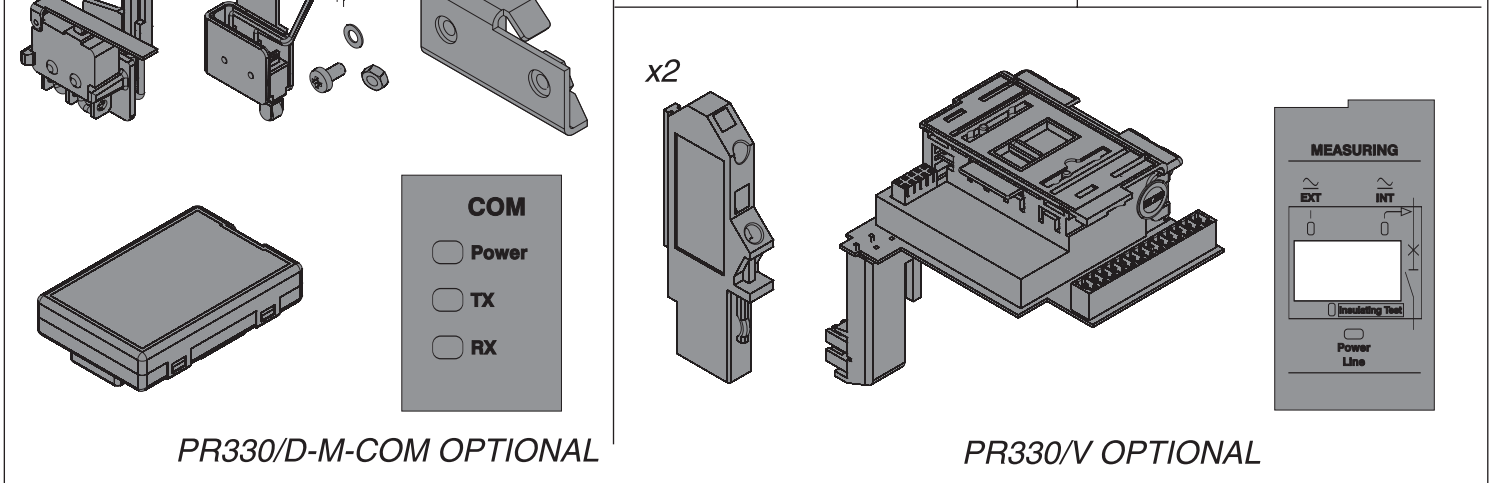
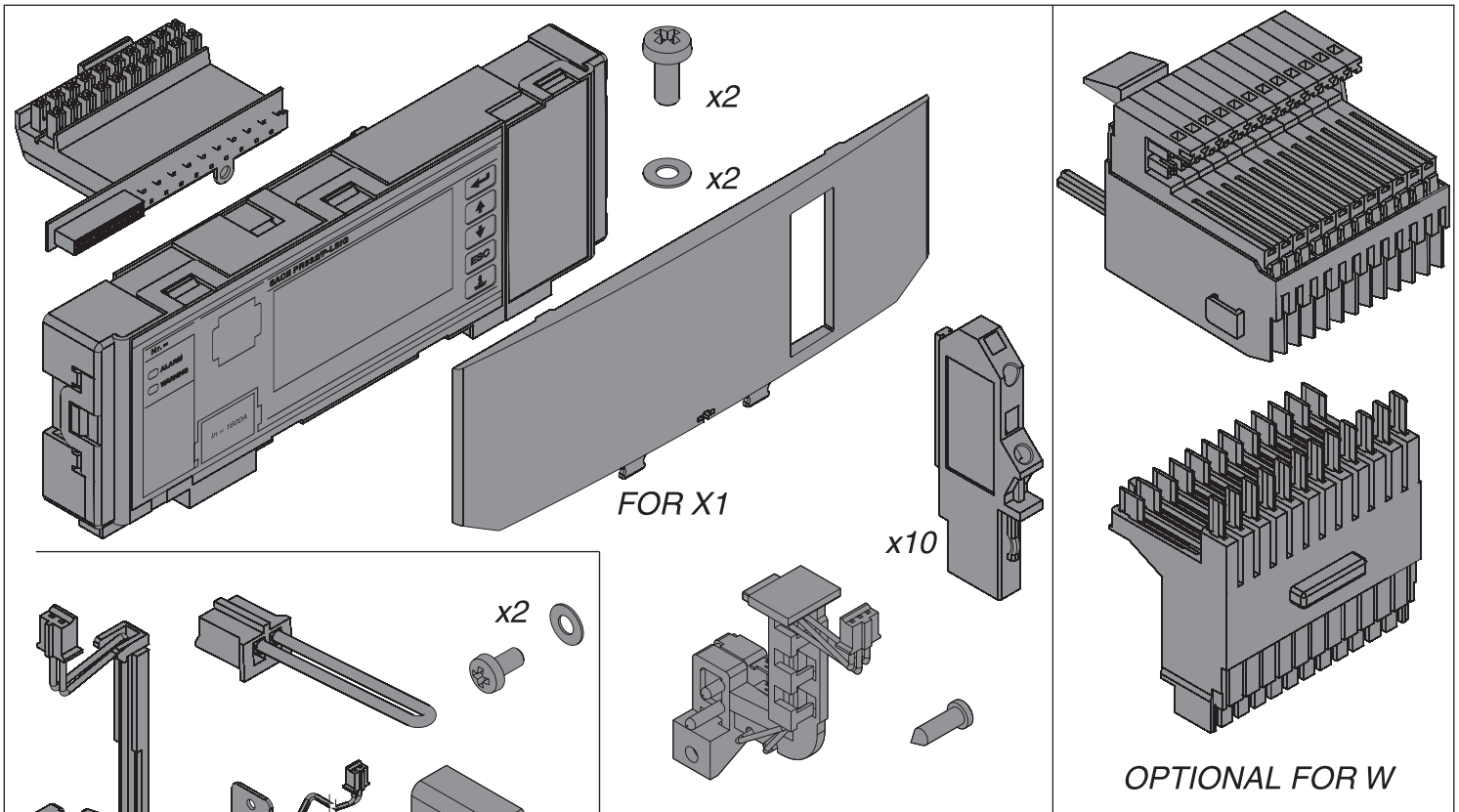
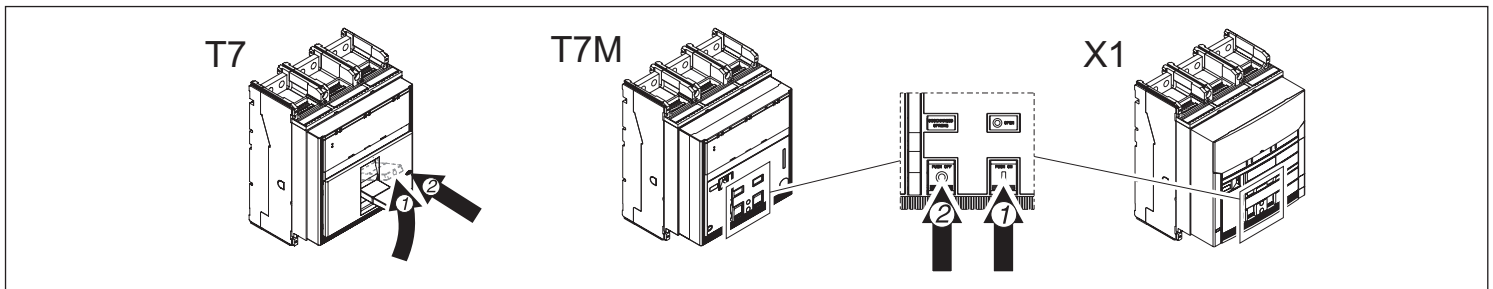
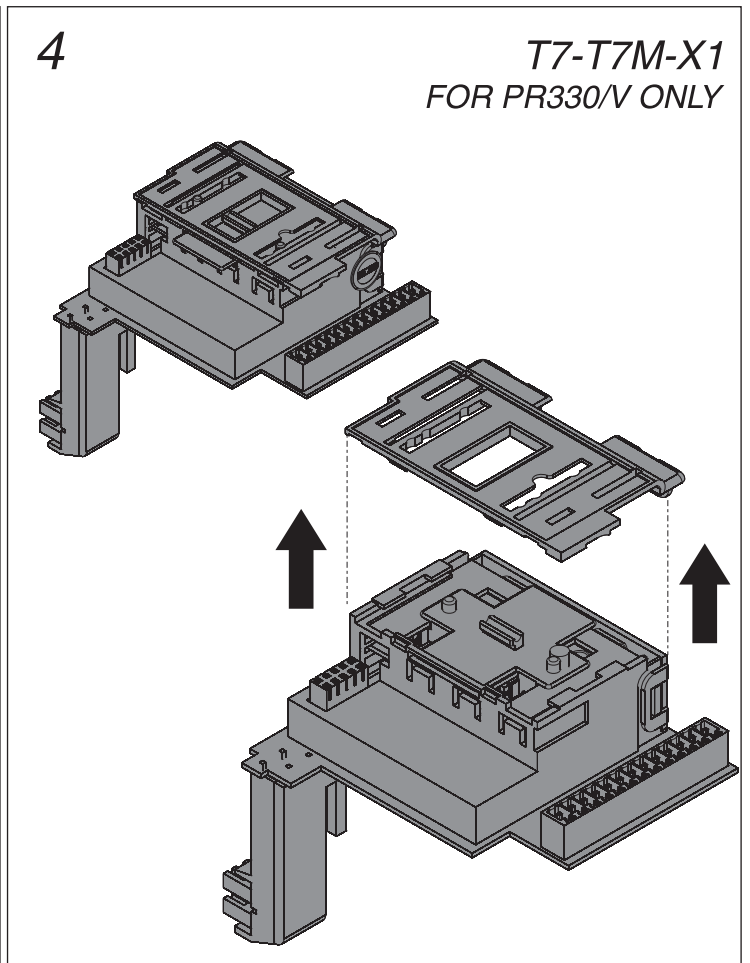
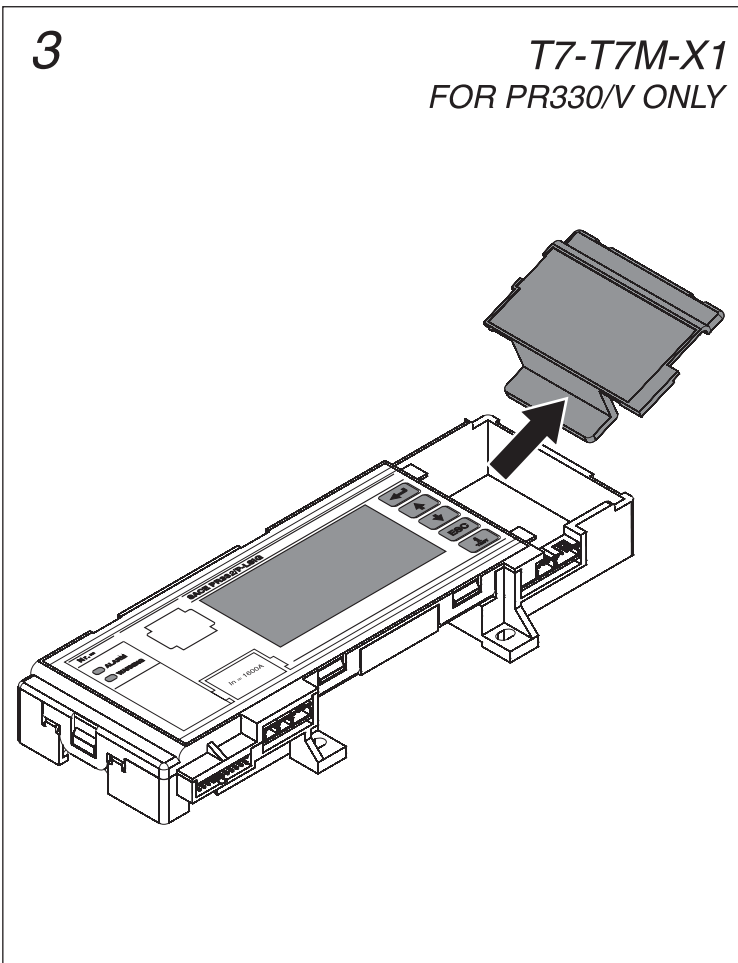
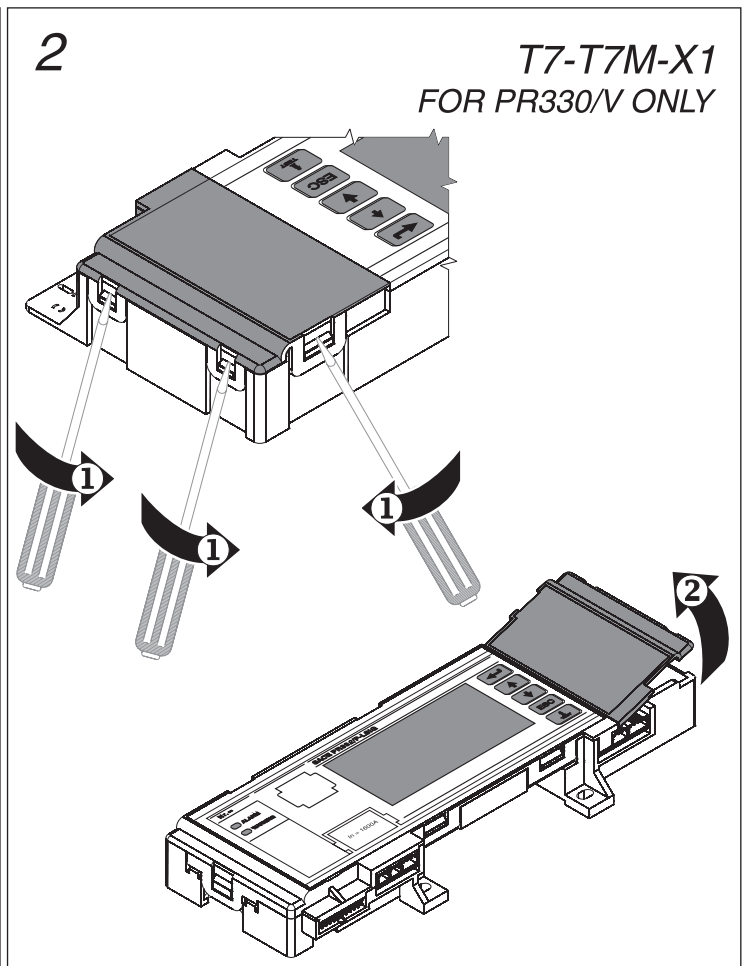
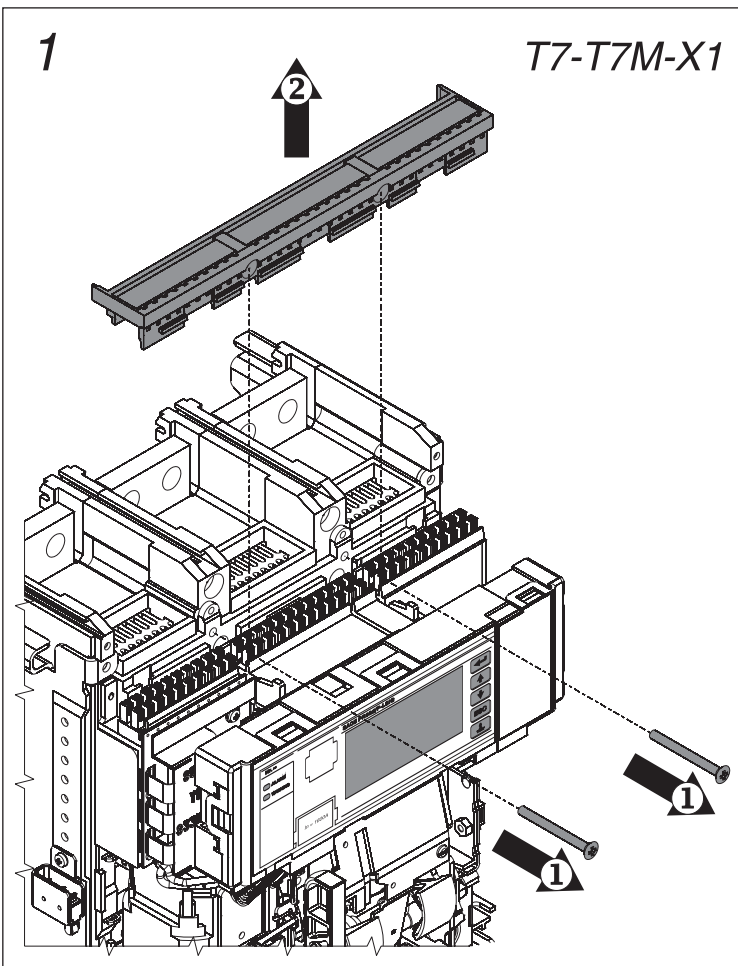


# Emax - Tmax

DOC. N.° 1SDH000529R0503 - L3112

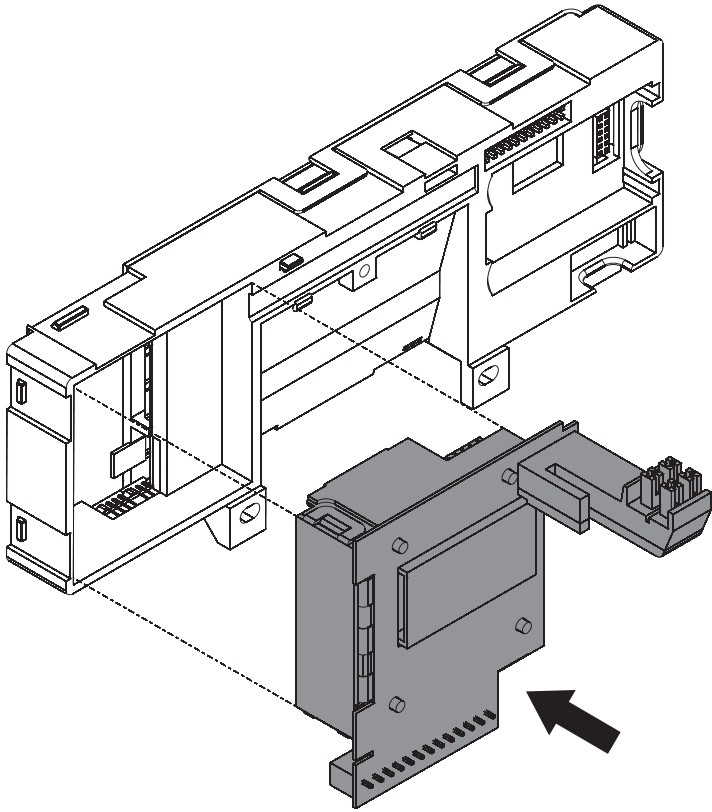
Sganciatore elettronico a microprocessore SACE PR332 e moduli T7-T7M-X1  
 SACE PR332 microprocessor-based electronic release and module T7-T7M-X1  
 Elektronischer Mikroprozessor-Auslöser und Module SACE PR332 T7-T7M-X1  
 Déclencheur électronique à microprocesseur et modules SACE PR332 T7-T7M-X1  
 Relé electrónico con microprocesador y módulos SACE PR332 T7-T7M-X1





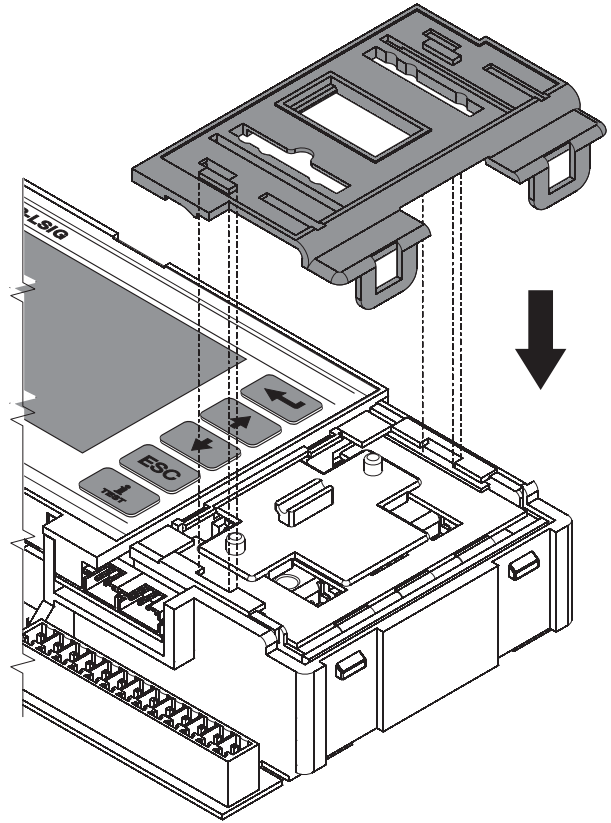
5

T7-T7M-X1  
FOR PR330/V ONLY



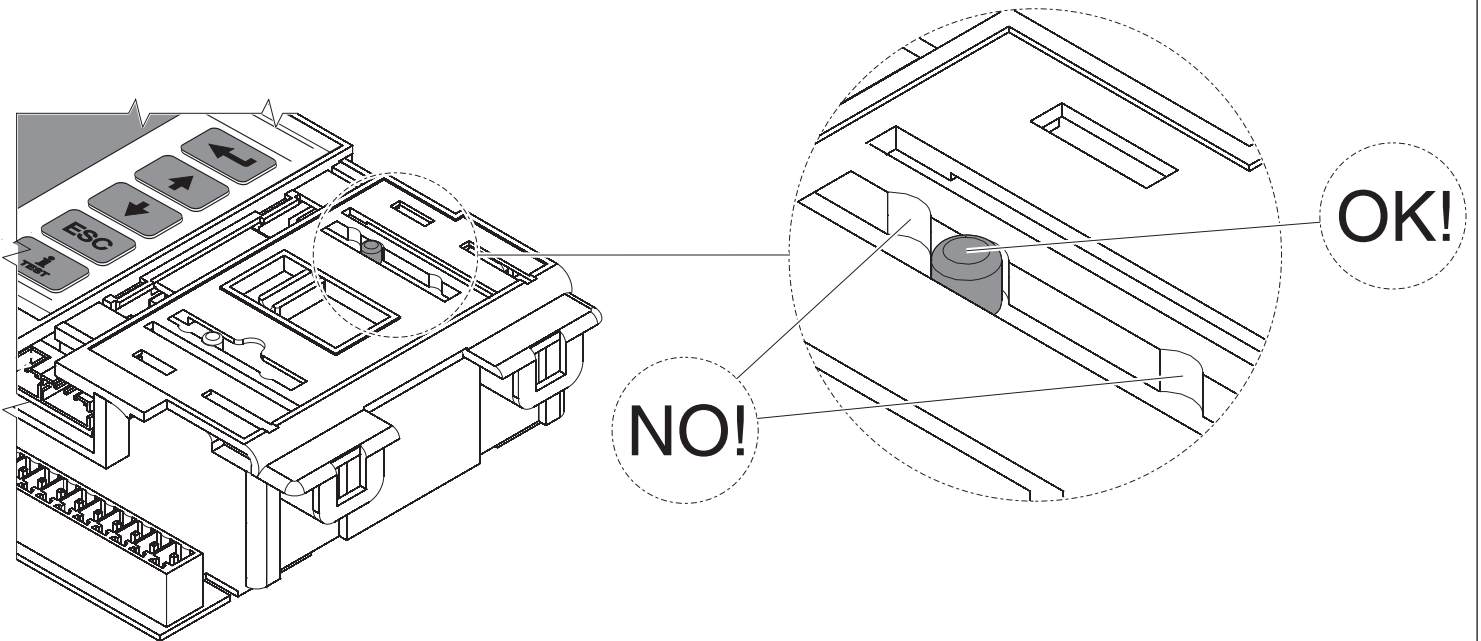
6

T7-T7M-X1  
FOR PR330/V ONLY



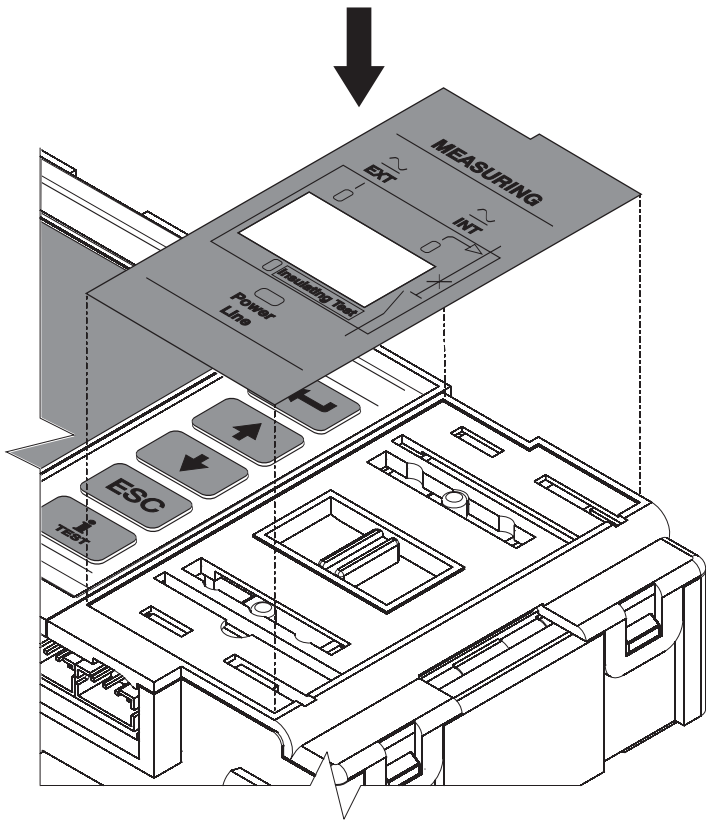
7

T7-T7M-X1  
FOR PR330/V ONLY



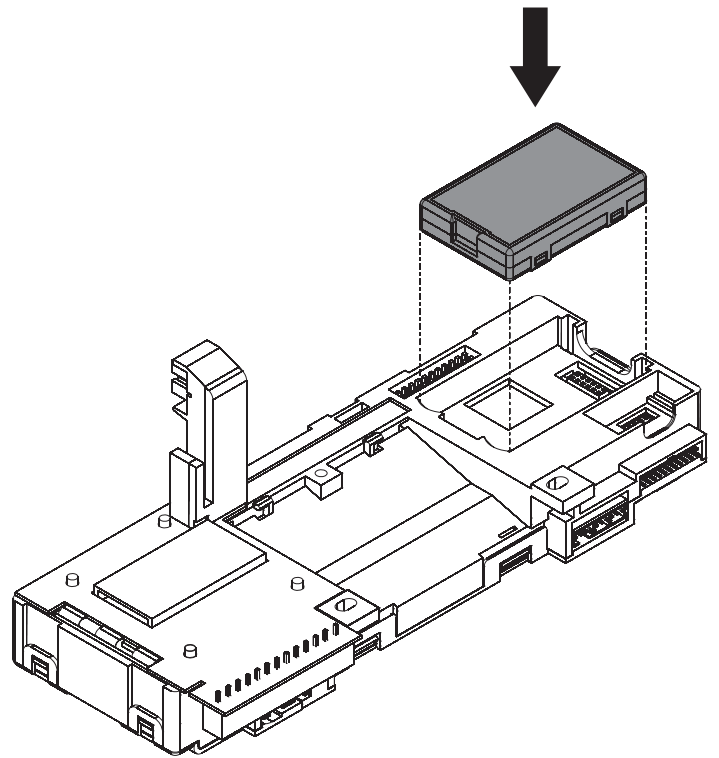
8

T7-T7M-X1  
FOR PR330/V ONLY



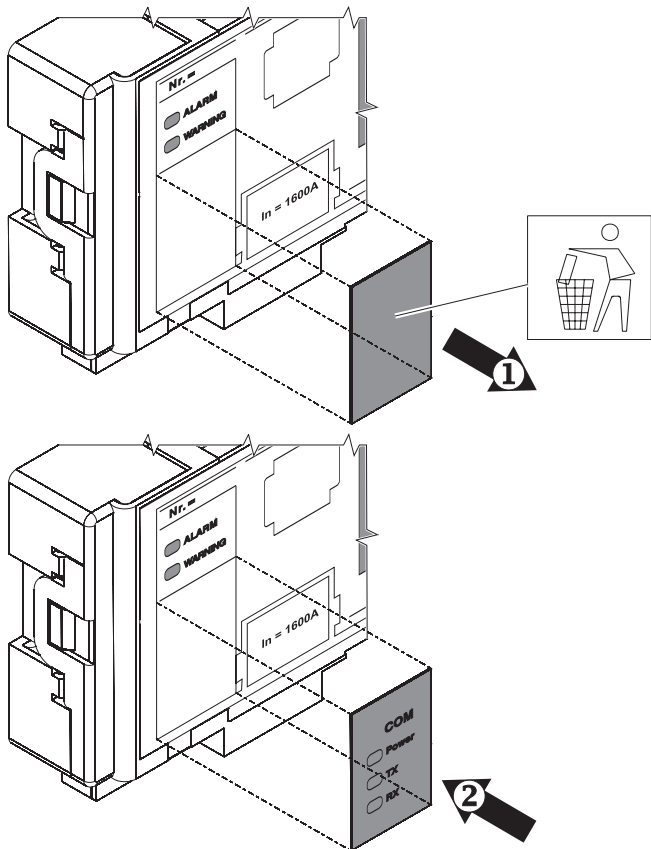
9

T7-T7M-X1  
FOR PR330/D-M-COM ONLY



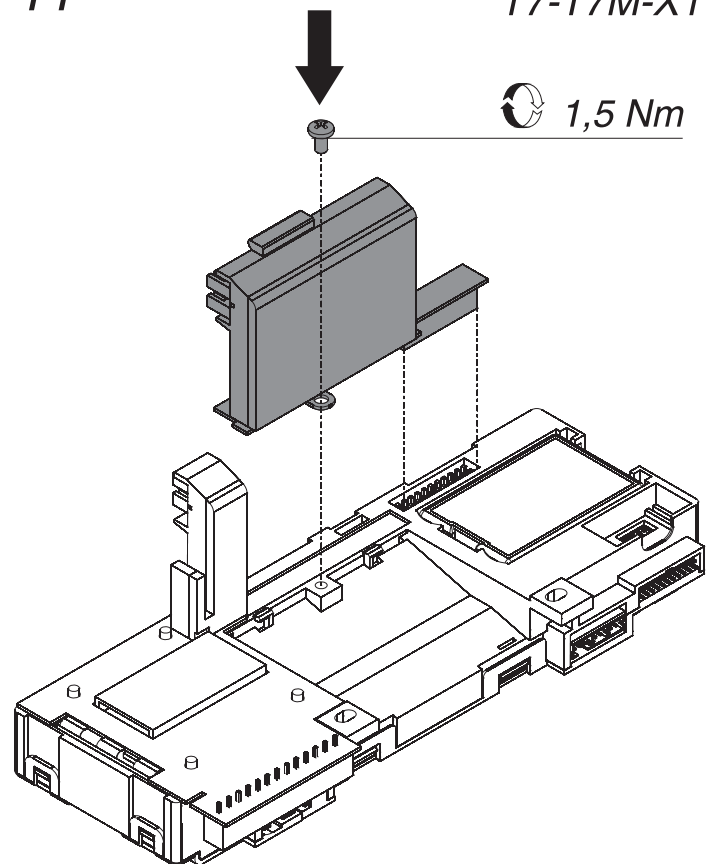
10

T7-T7M-X1  
FOR PR330/D-M-COM ONLY



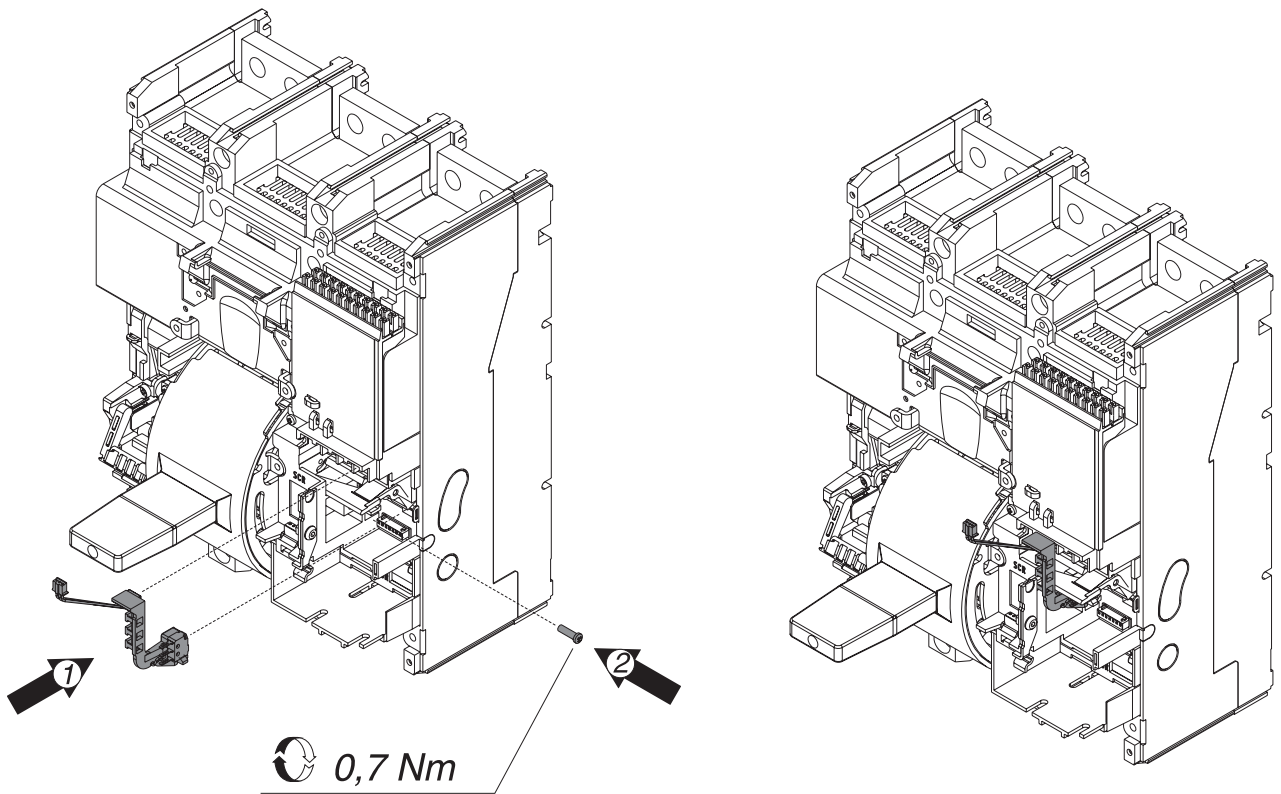
11

T7-T7M-X1



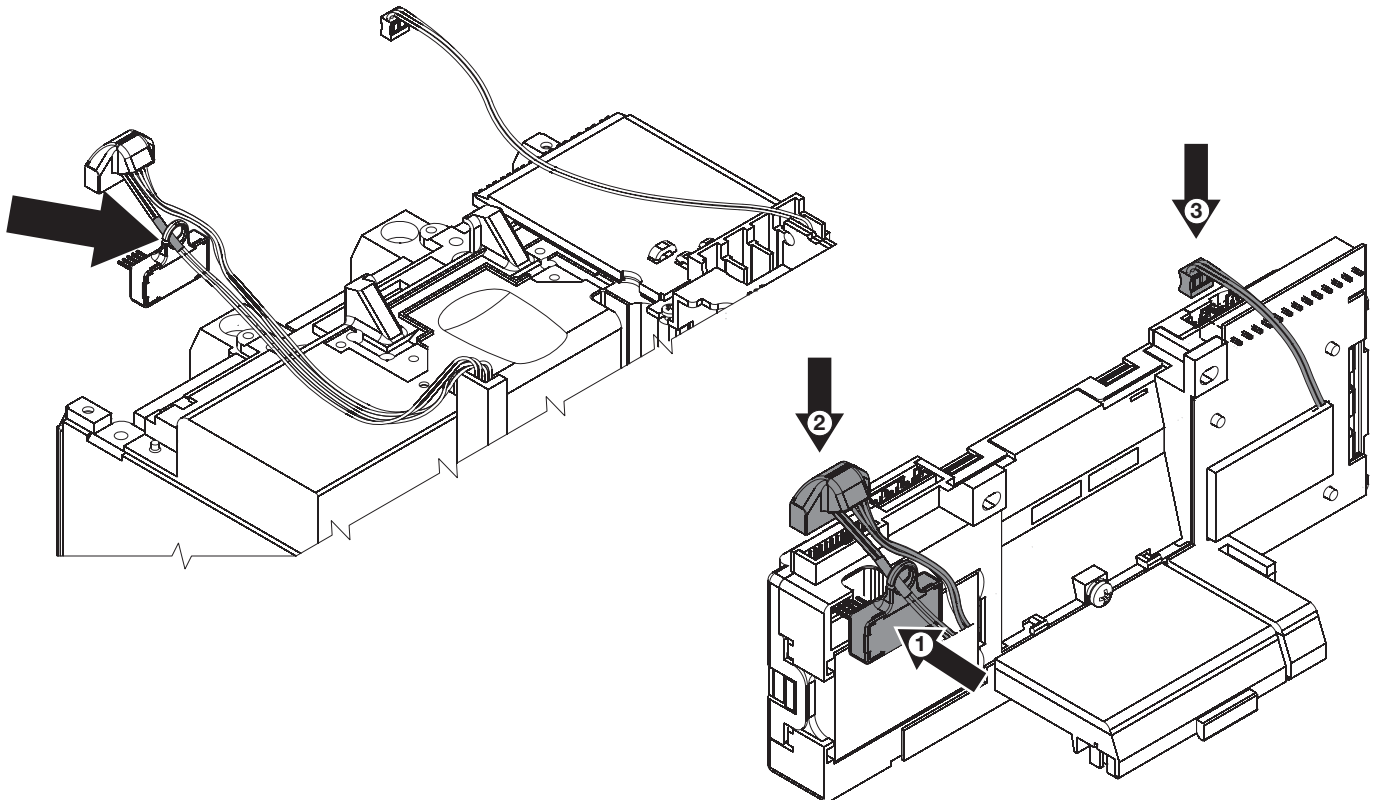
12

T7-T7M-X1



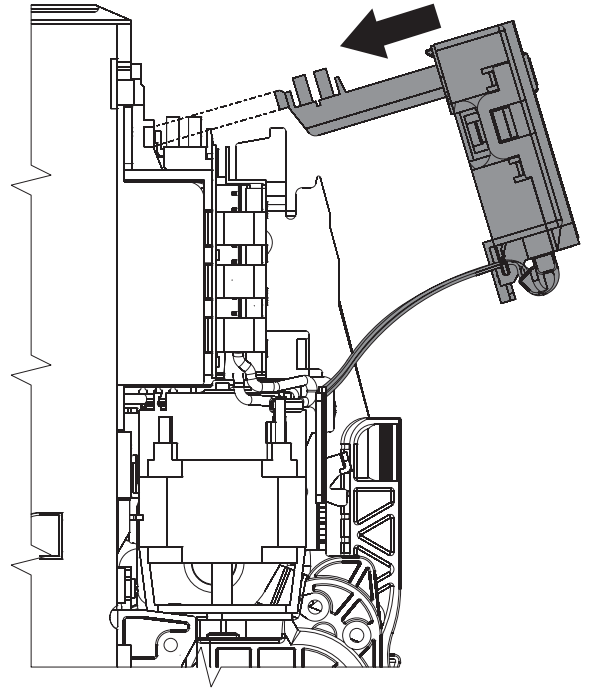
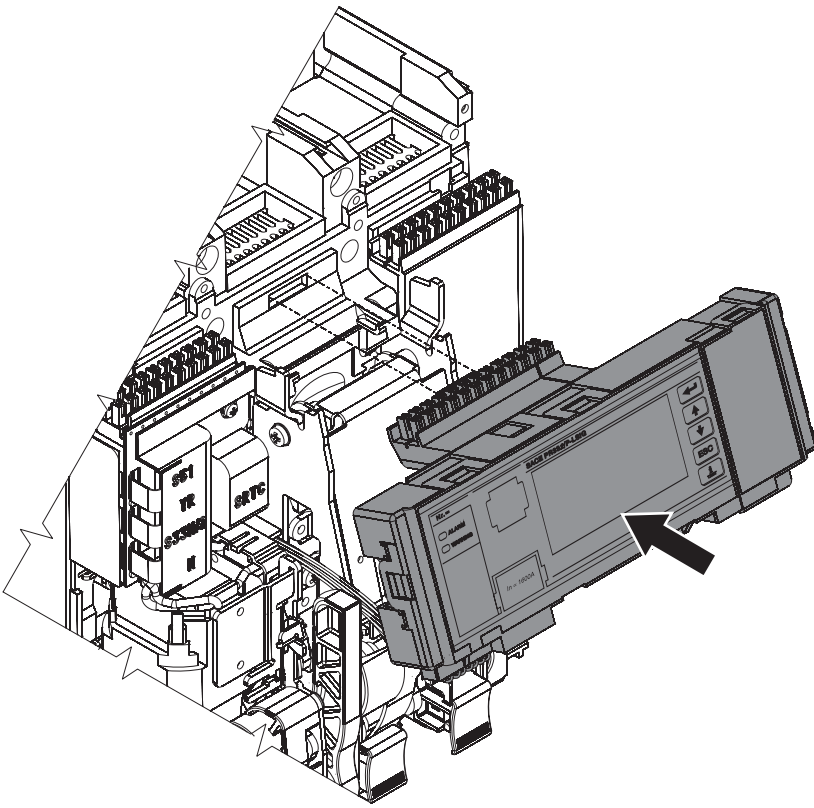
13

T7-T7M-X1



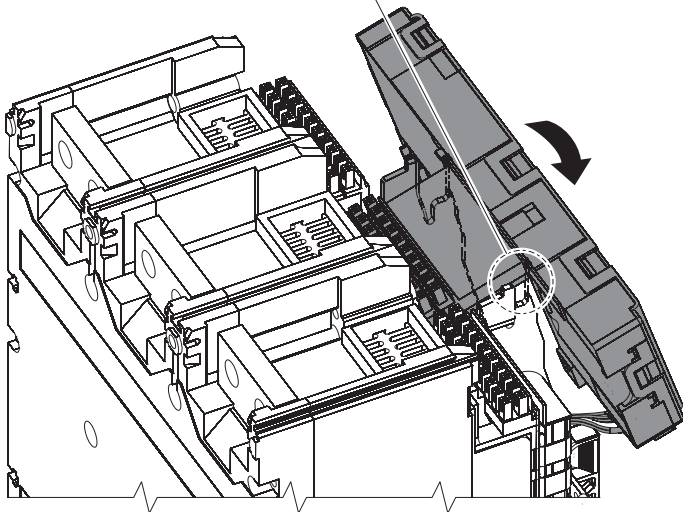
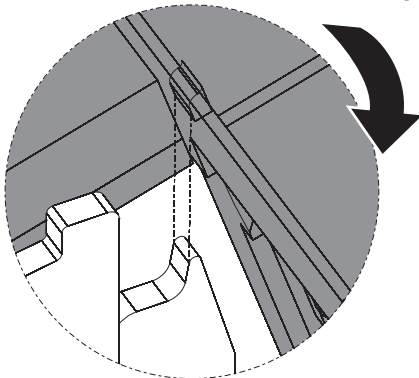
14

T7M-X1



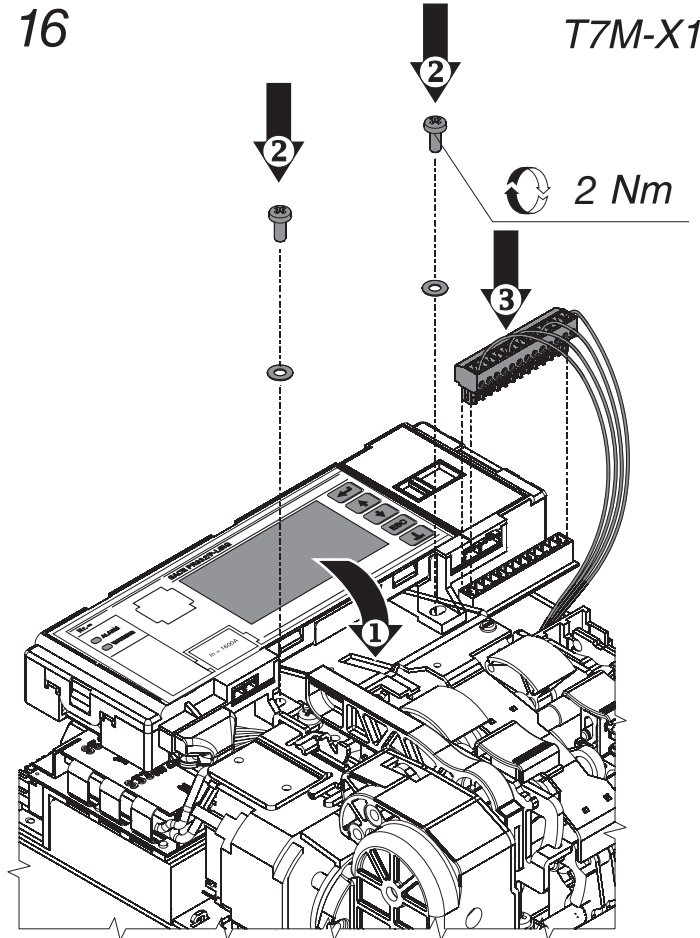
15

T7M-X1



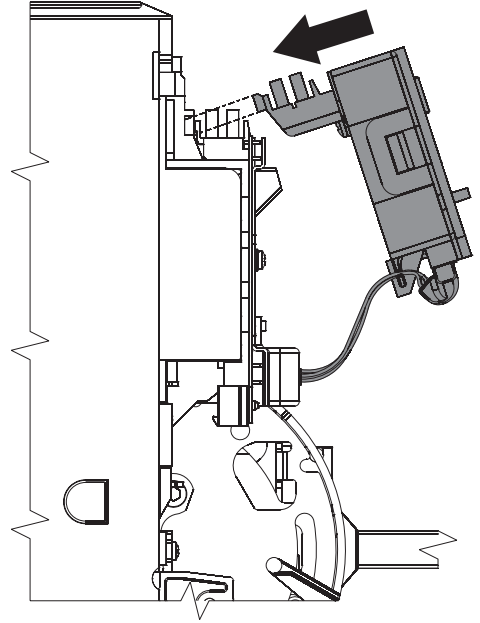
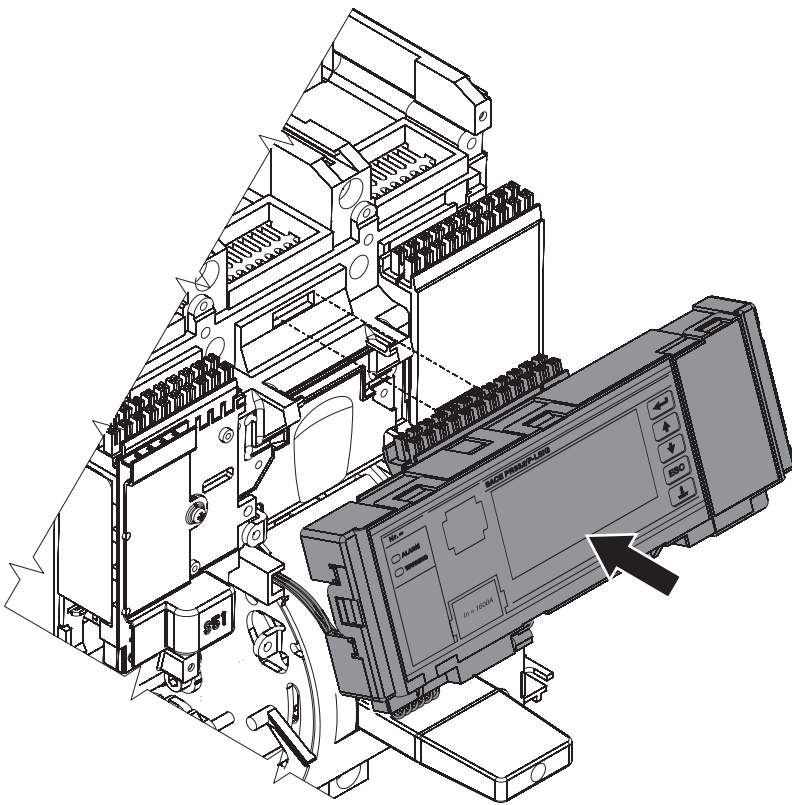
16

T7M-X1



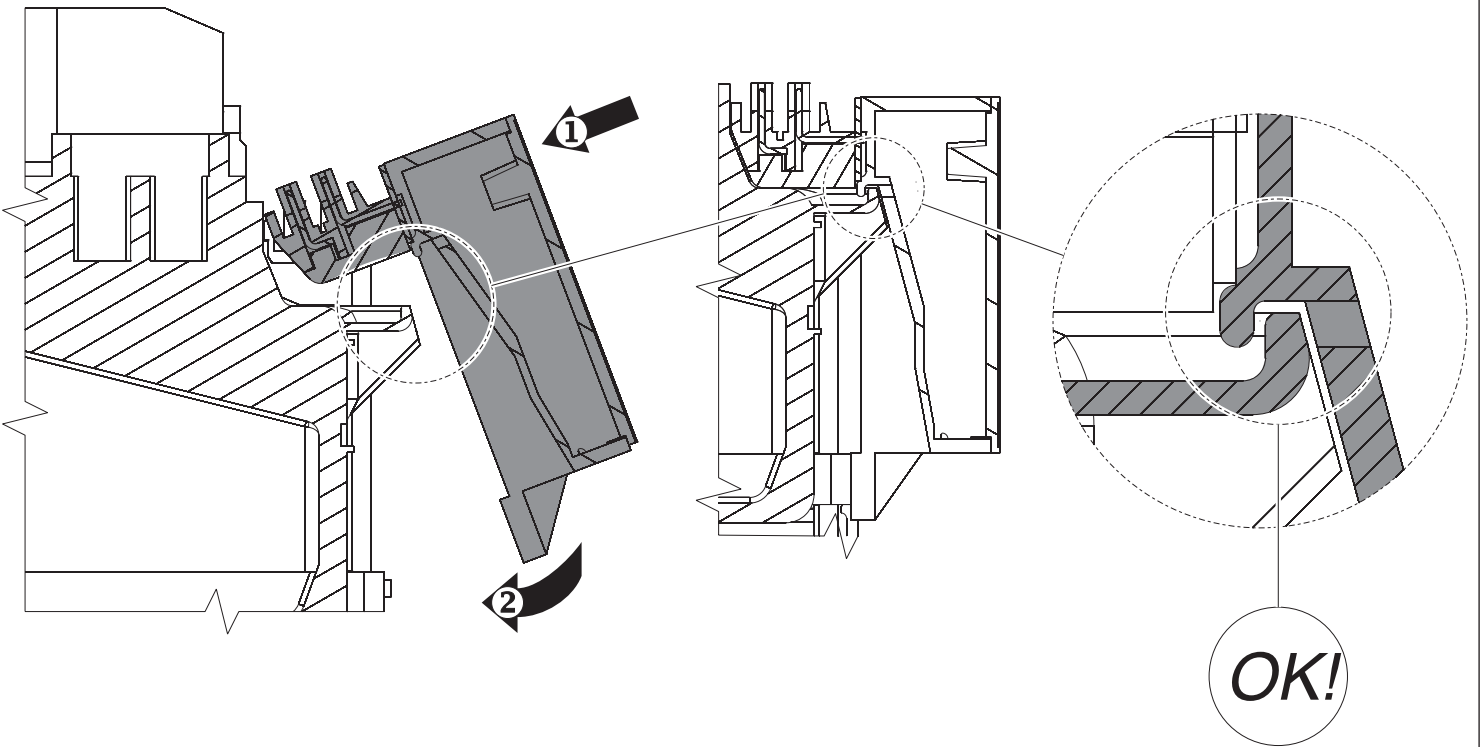
17

T7



18

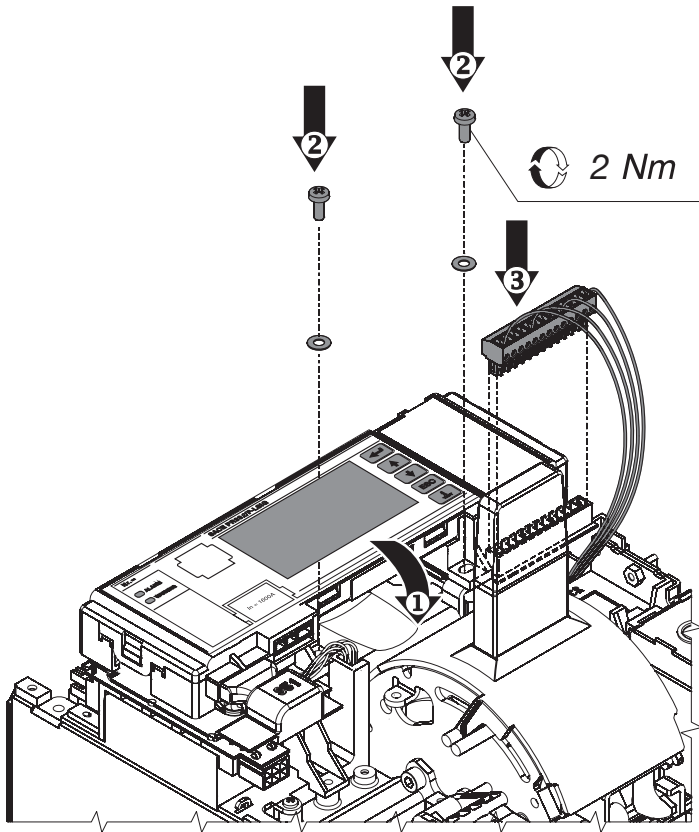
T7



**ABB**

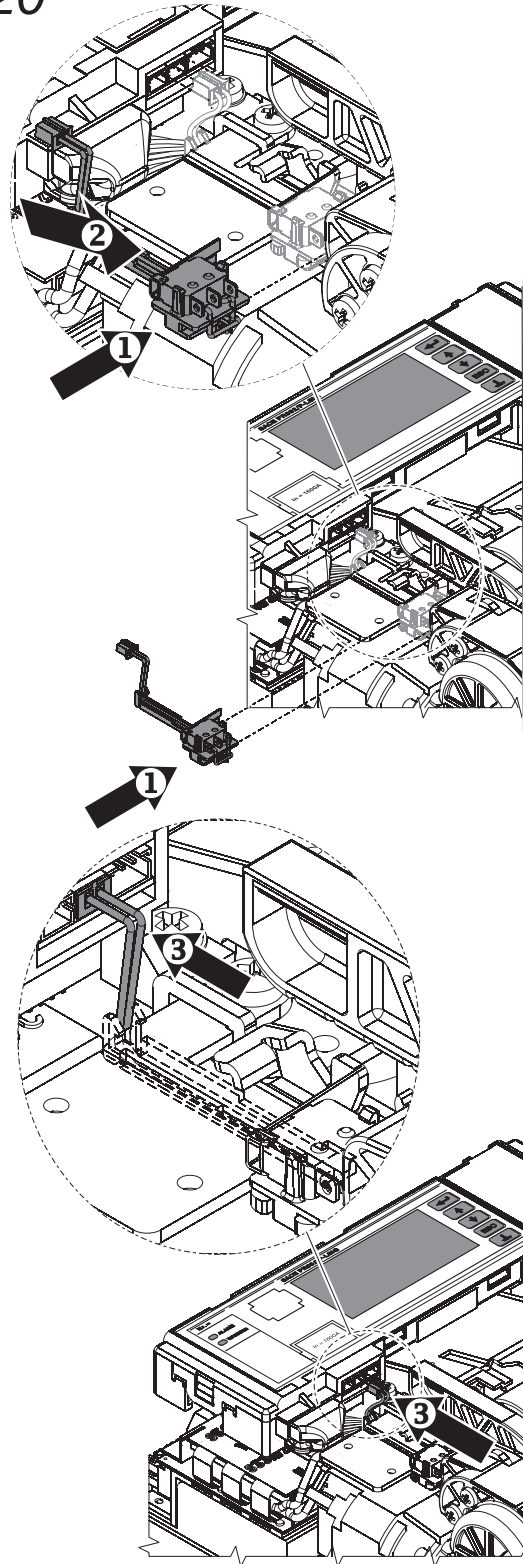
19

T7



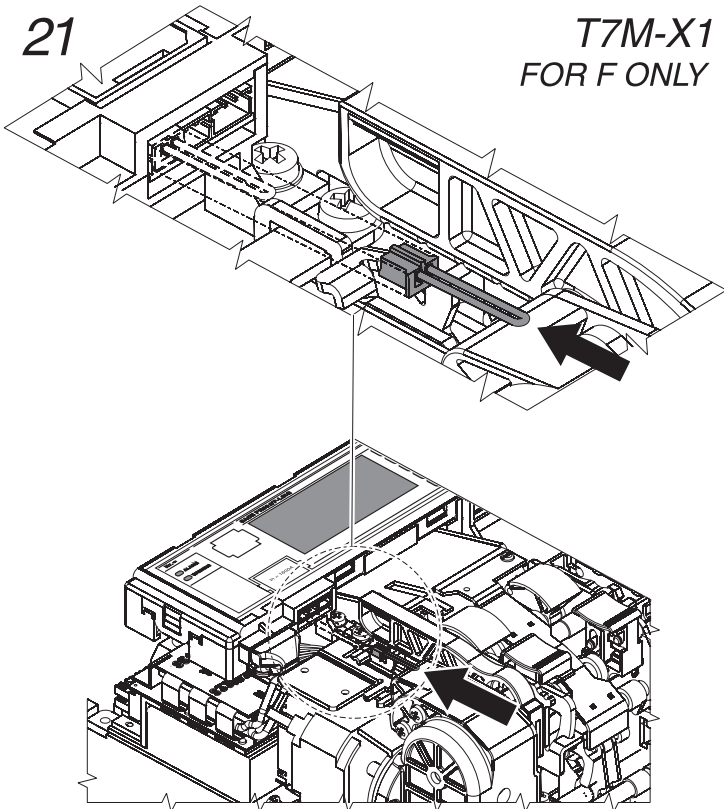
20

T7M-X1

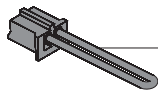


21

T7M-X1  
FOR F ONLY



FOR W ONLY

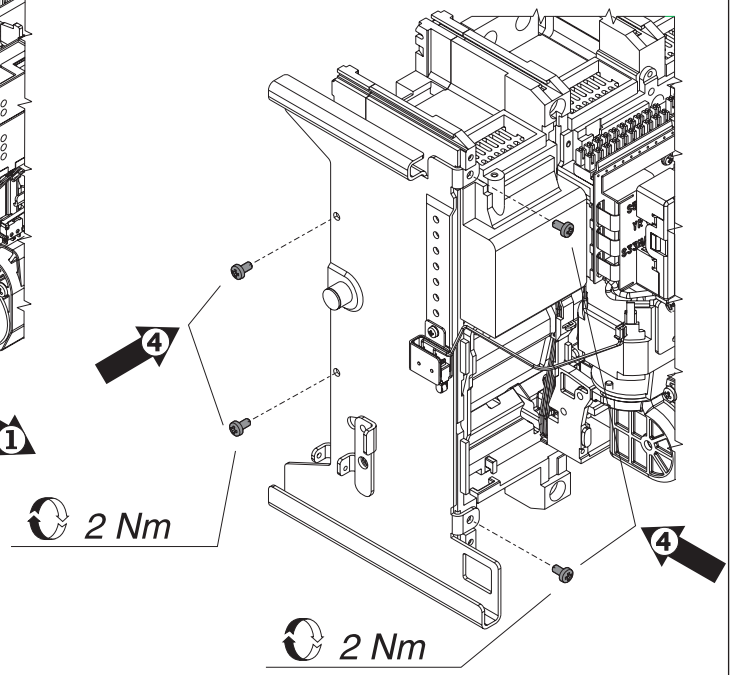
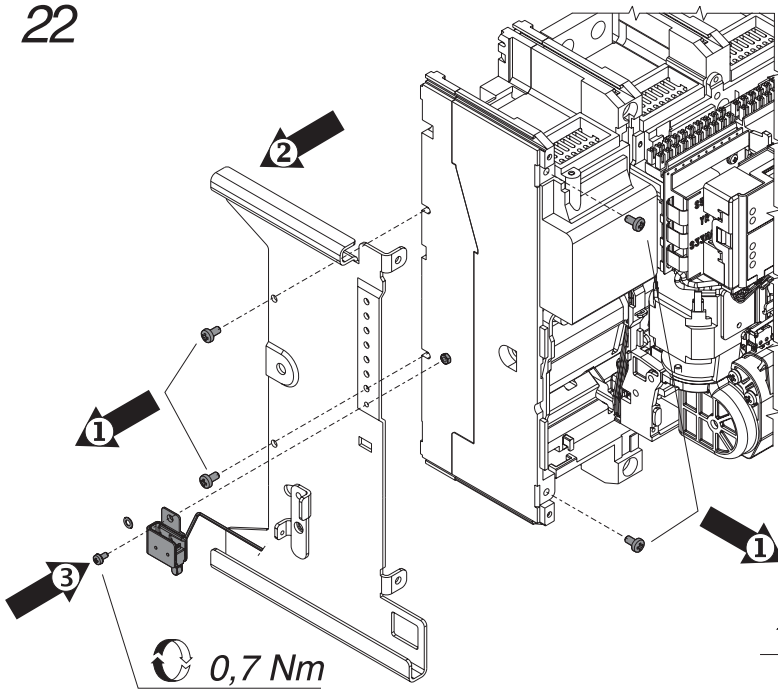


se montato  
if mounted  
falls montiert  
s'il est monté  
si está montado

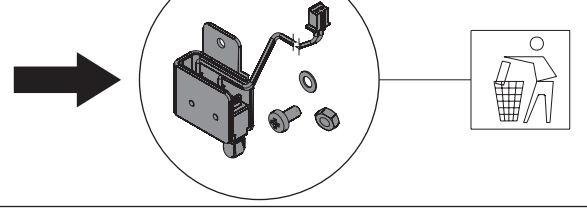




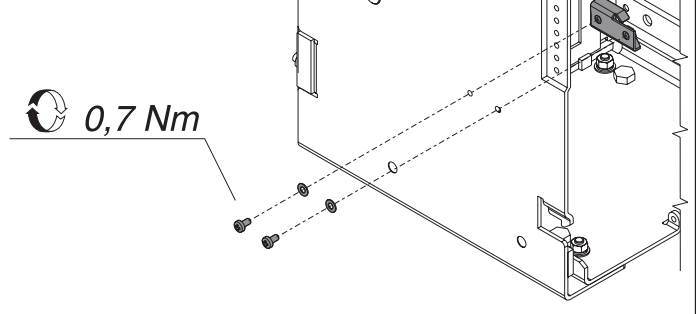
T7-T7M-X1 (IV)  
FOR W ONLY



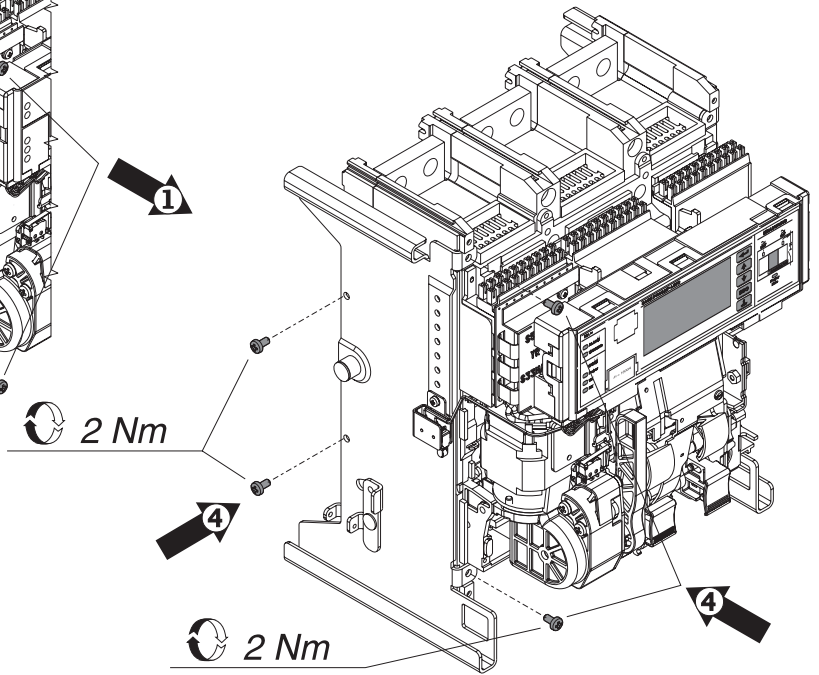
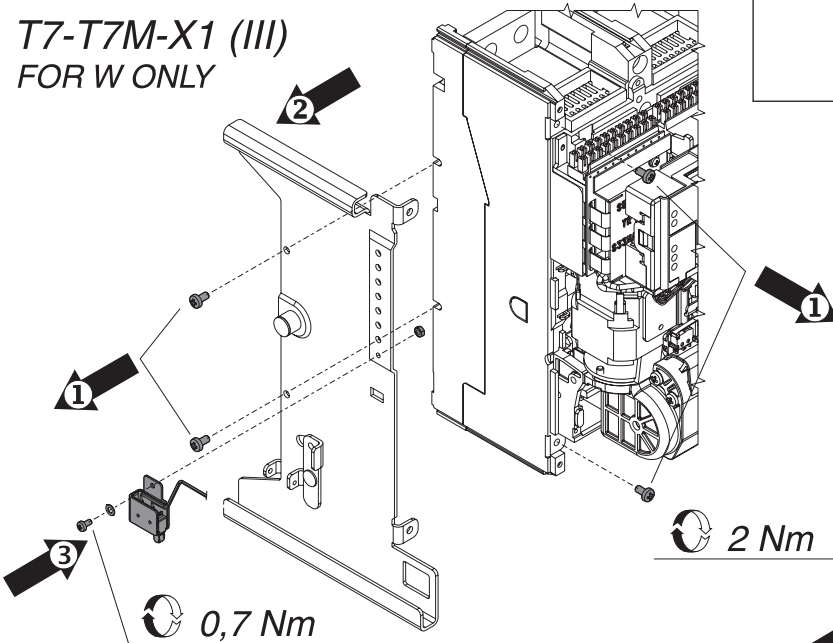
FOR P ONLY



FIXED PART



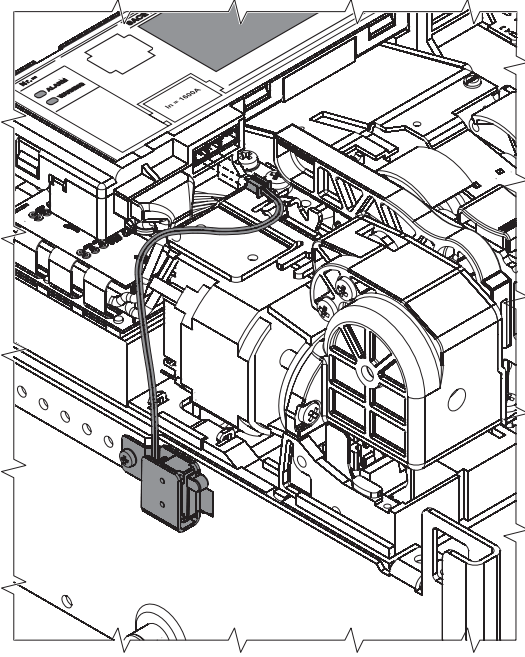
T7-T7M-X1 (III)  
FOR W ONLY



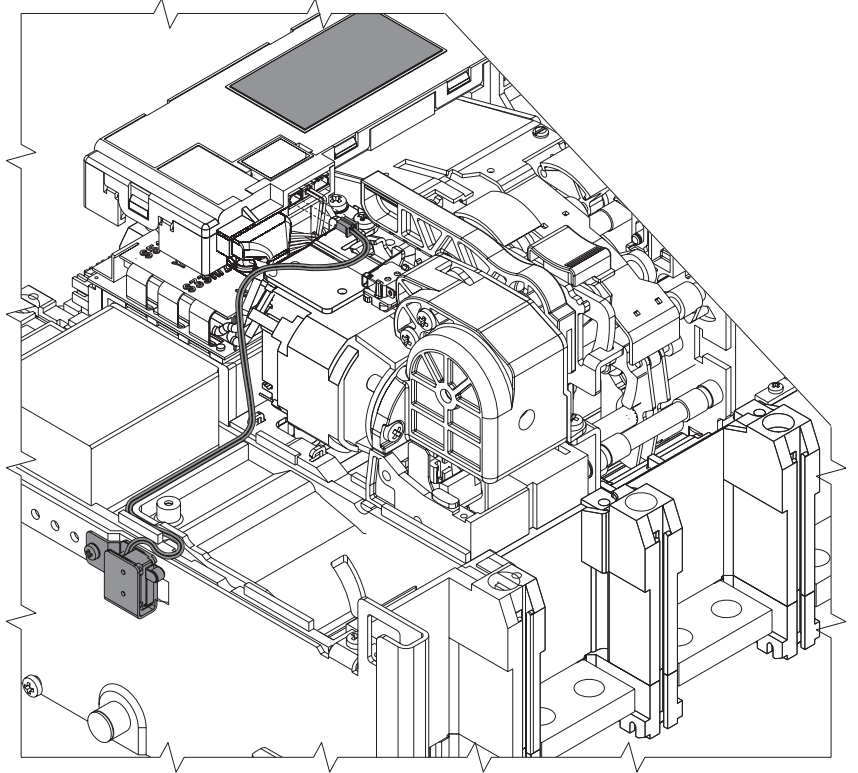
23

T7-T7M-X1

(III)

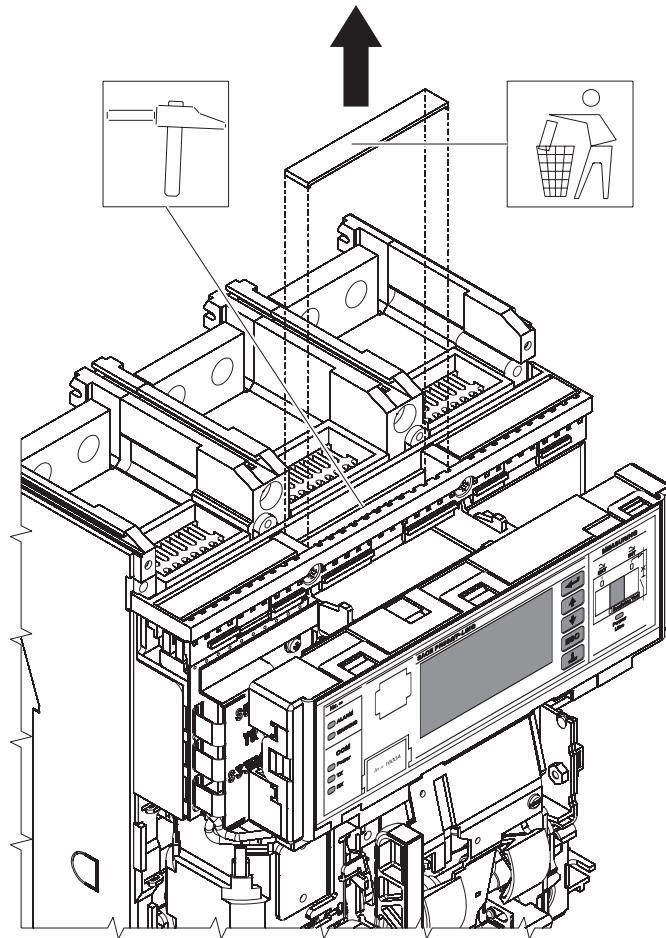


(IV)

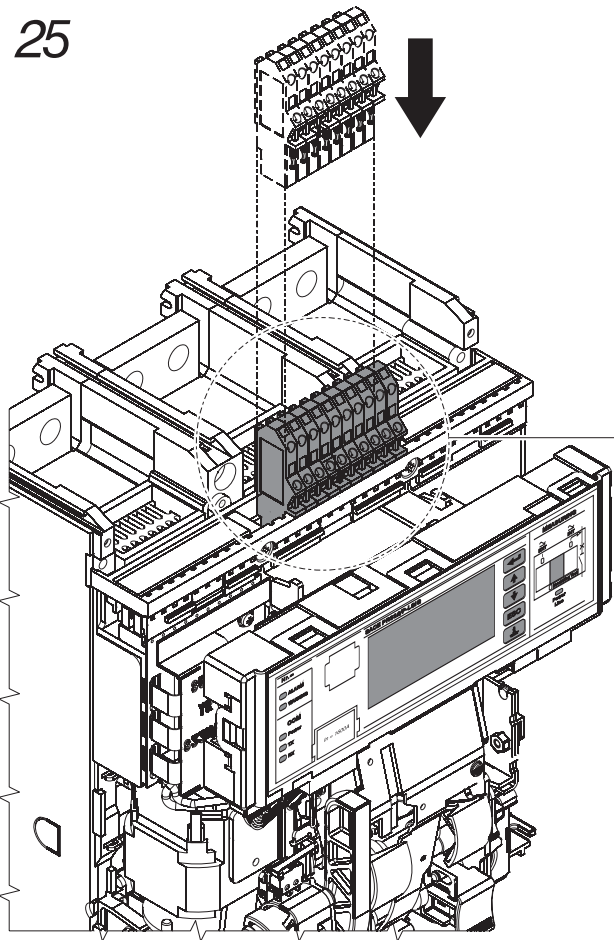


24

T7-T7M-X1

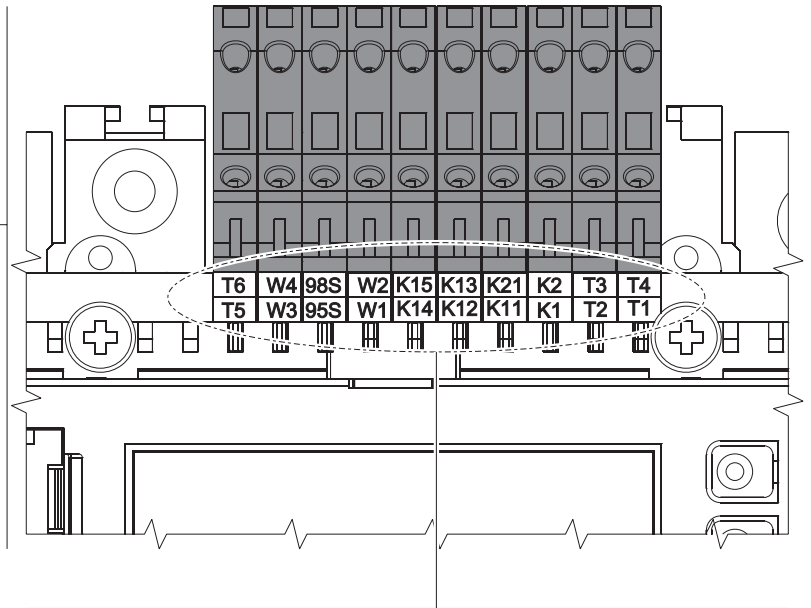


25



T7-T7M-X1

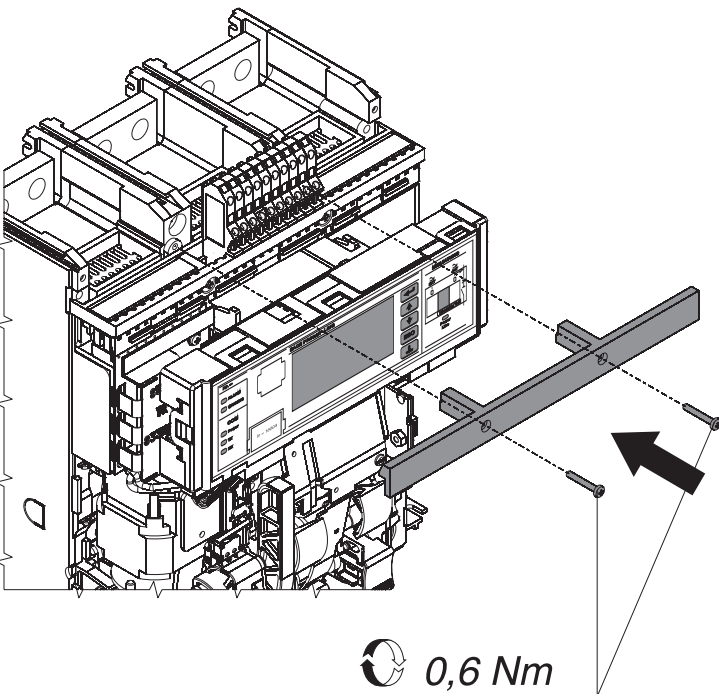
SEE WIRING DIAGRAMS:  
1SDM000051R0001 FOR T7-T7M  
1SDM000057R0001 FOR X1



T6	W4	98S	W2	K15	K13	K21	K2	T3	T4
T5	W3	95S	W1	K14	K12	K11	K1	T2	T1

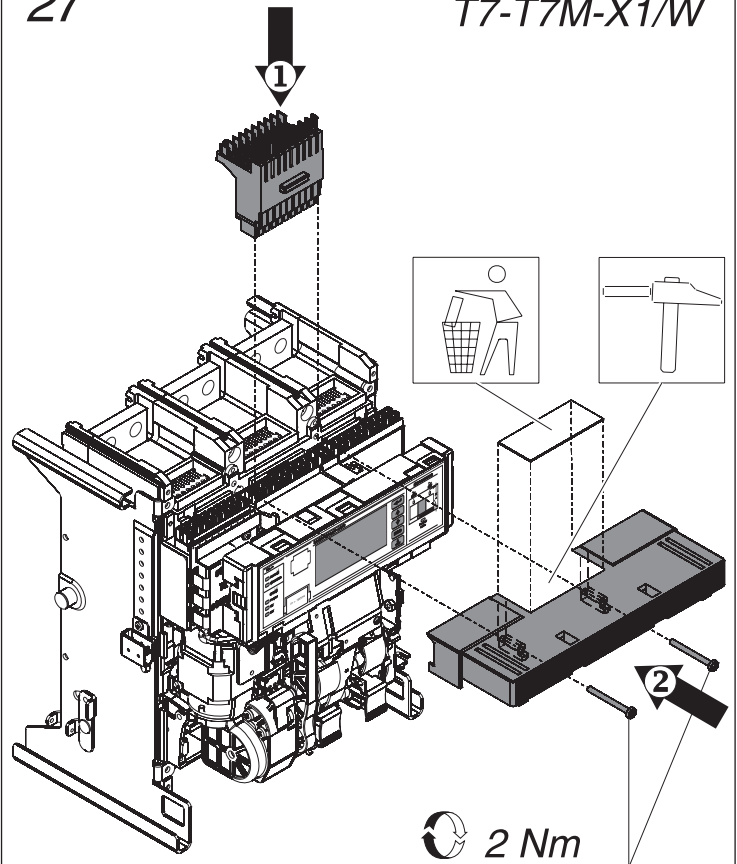
26

T7-T7M-X1



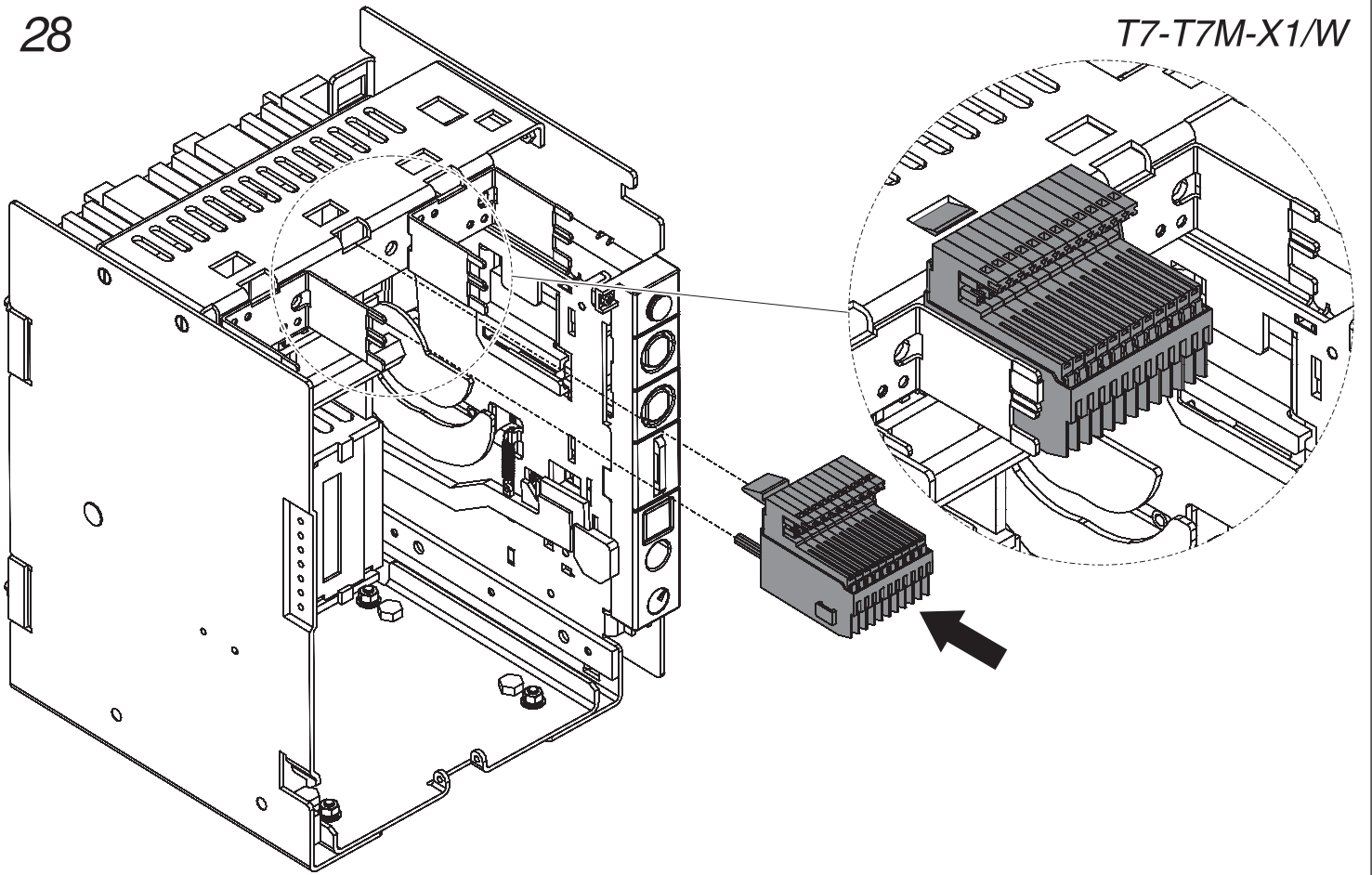
27

T7-T7M-X1/W



28

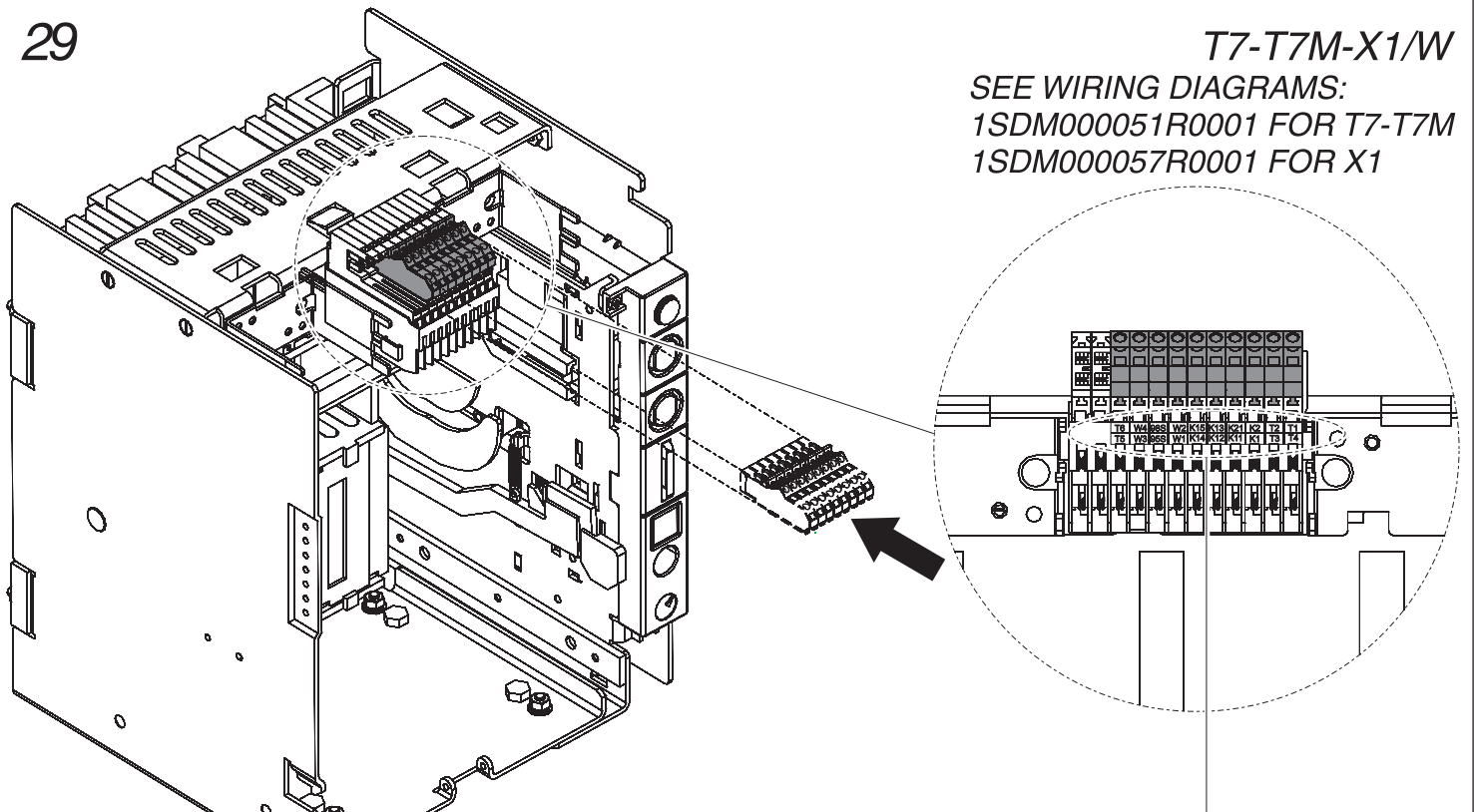
T7-T7M-X1/W



29

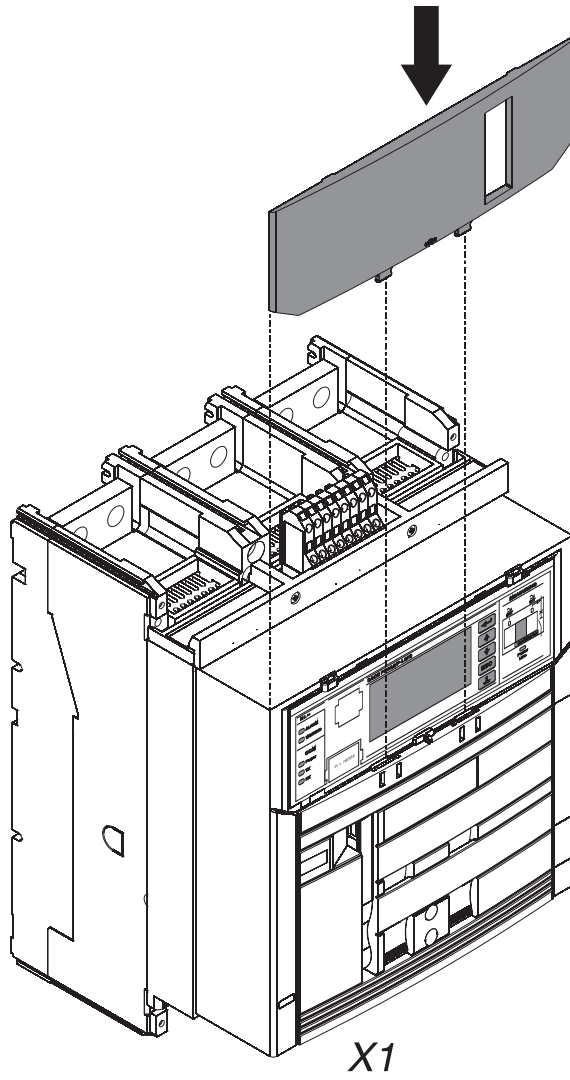
T7-T7M-X1/W

SEE WIRING DIAGRAMS:  
 1SDM000051R0001 FOR T7-T7M  
 1SDM000057R0001 FOR X1



T6	W4	98S	W2	K15	K13	K21	K2	T3	T4
T5	W3	95S	W1	K14	K12	K11	K1	T2	T1

30



**ABB SACE S.p.A.**

Via Baioni, 35

24123 Bergamo Italy

Tel.: +39 035 395.111 - Telefax: +39 035 395.306-433

<http://www.abb.com>