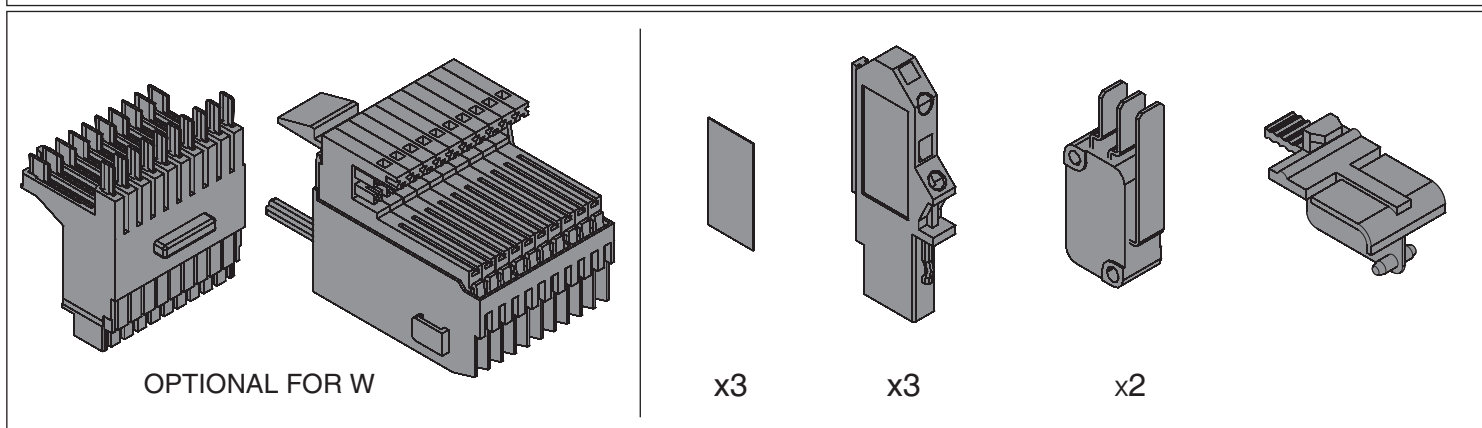
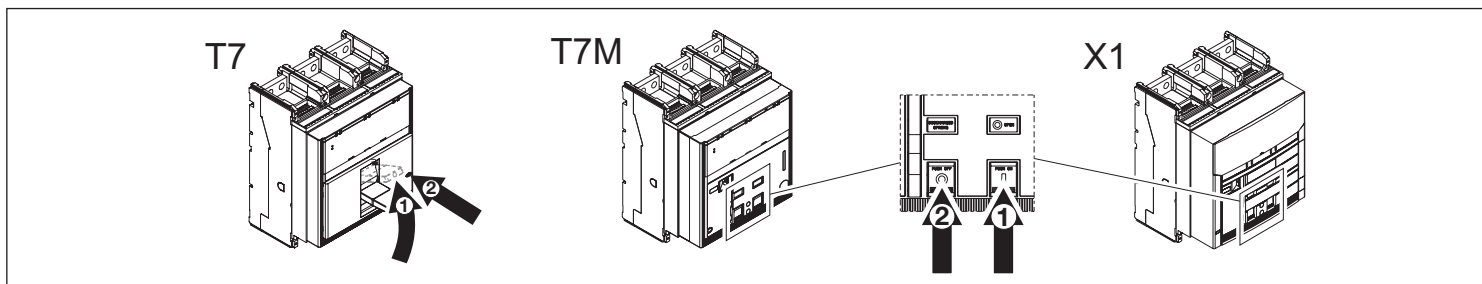


Emax - Tmax

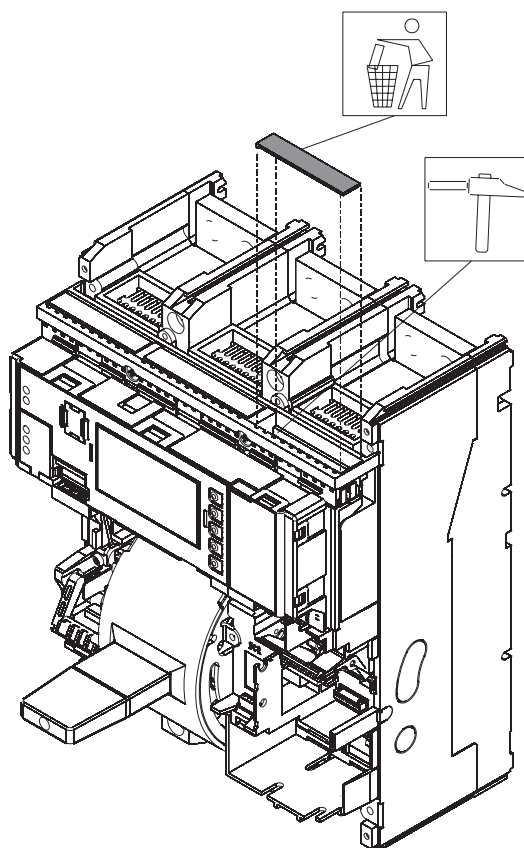
DOC. N.° 1SDH000529R0604 - L3214

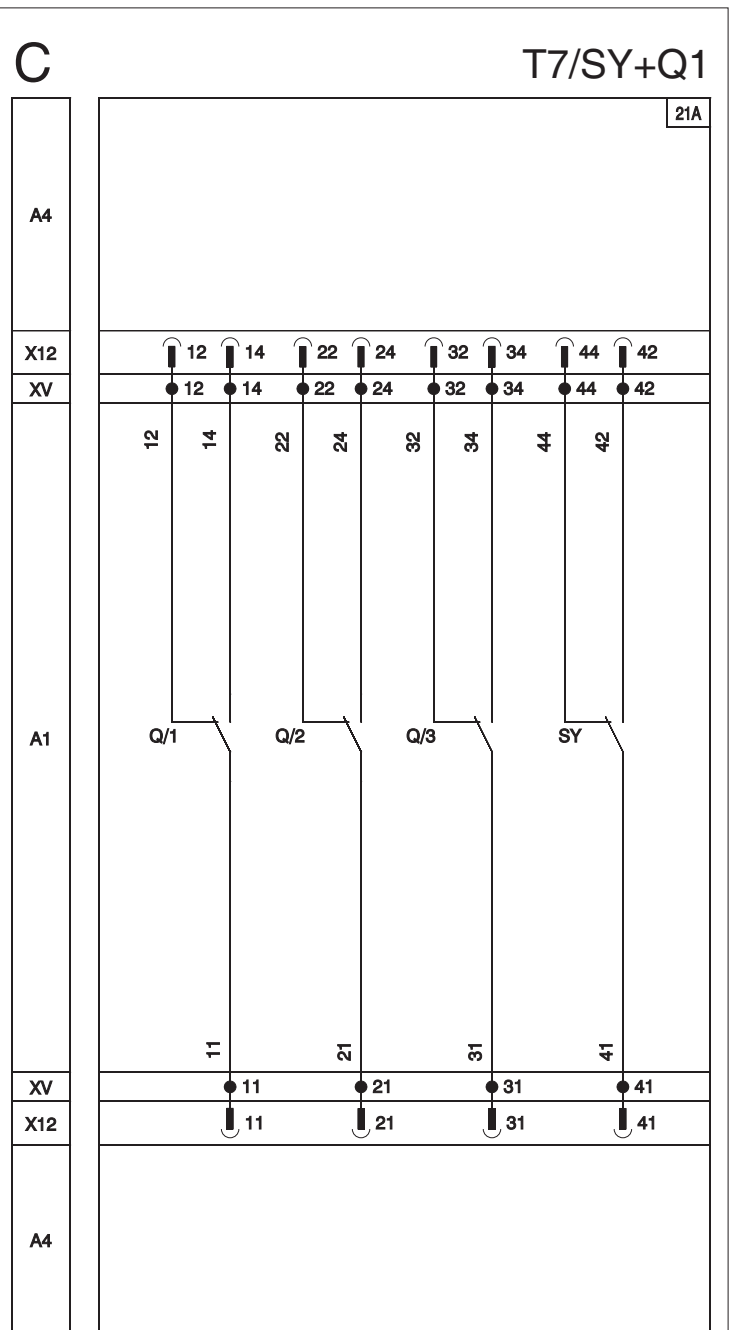
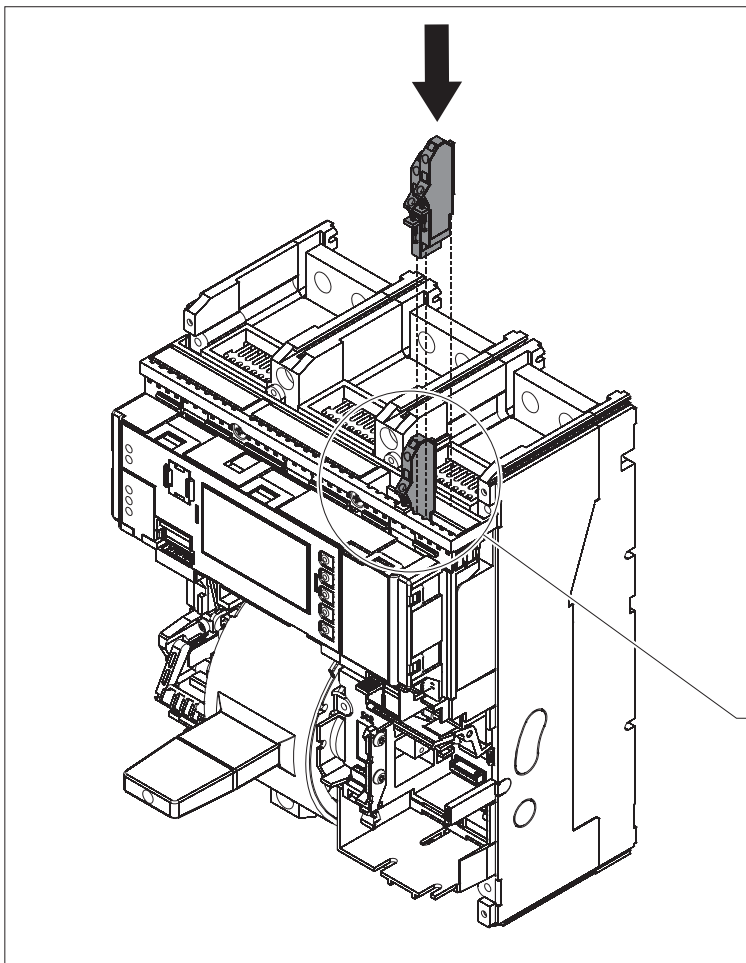
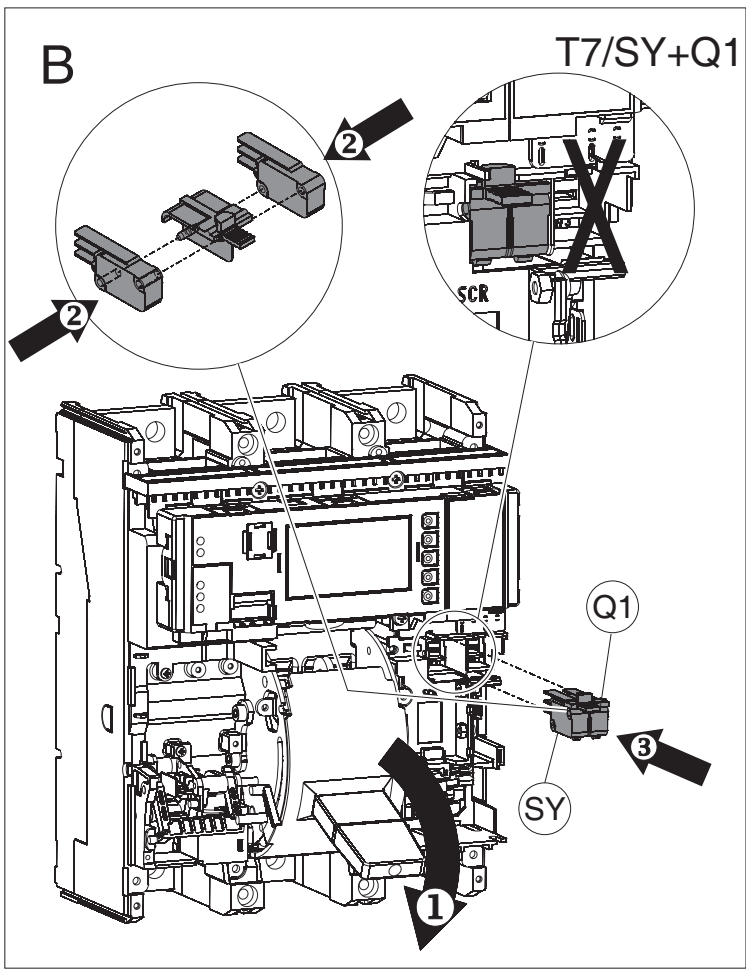
AUX - Contatti ausiliari di stato (1Q+1SY/2Q) T7-T7M-X1
AUX - Auxiliary status contacts (1Q+1SY/2Q) T7-T7M-X1
AUX - Hilfskontakte für die Zustandsanzeige (1Q+1SY/2Q) T7-T7M-X1
AUX - Contacts auxiliaires d'état (1Q+1SY/2Q) T7-T7M-X1
AUX - Contactos auxiliares de estado (1Q+1SY/2Q) T7-T7M-X1



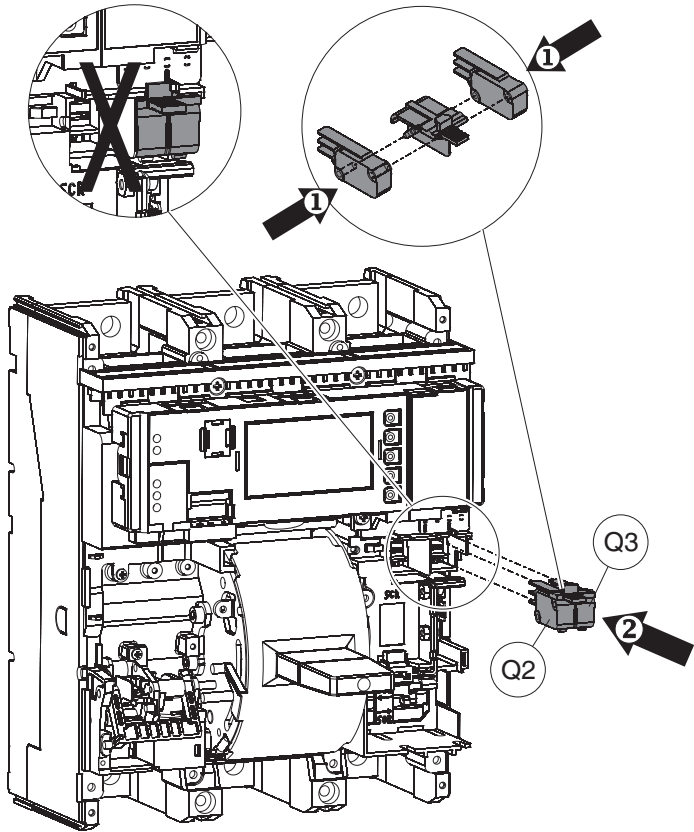
A

T7-T7M-X1

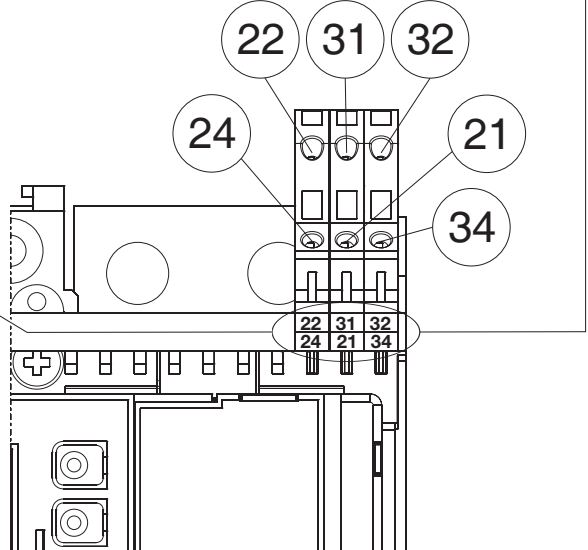
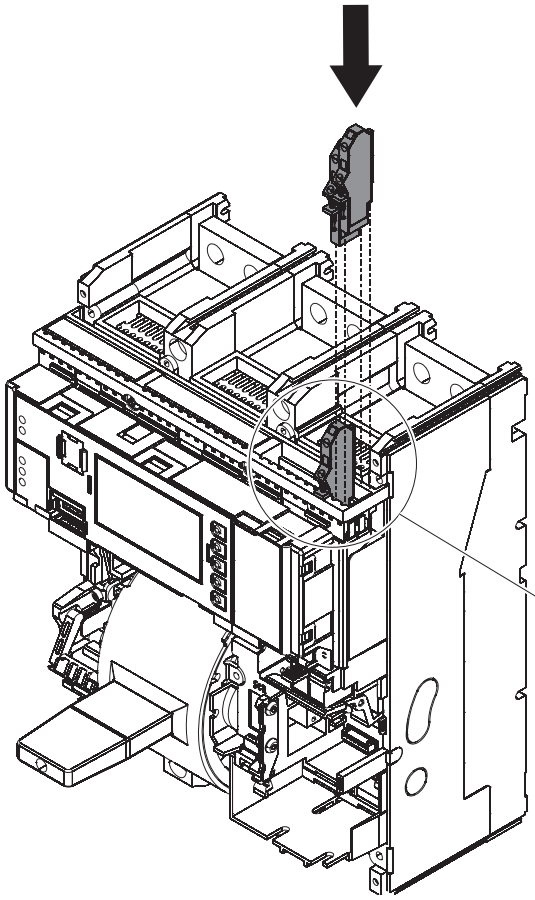
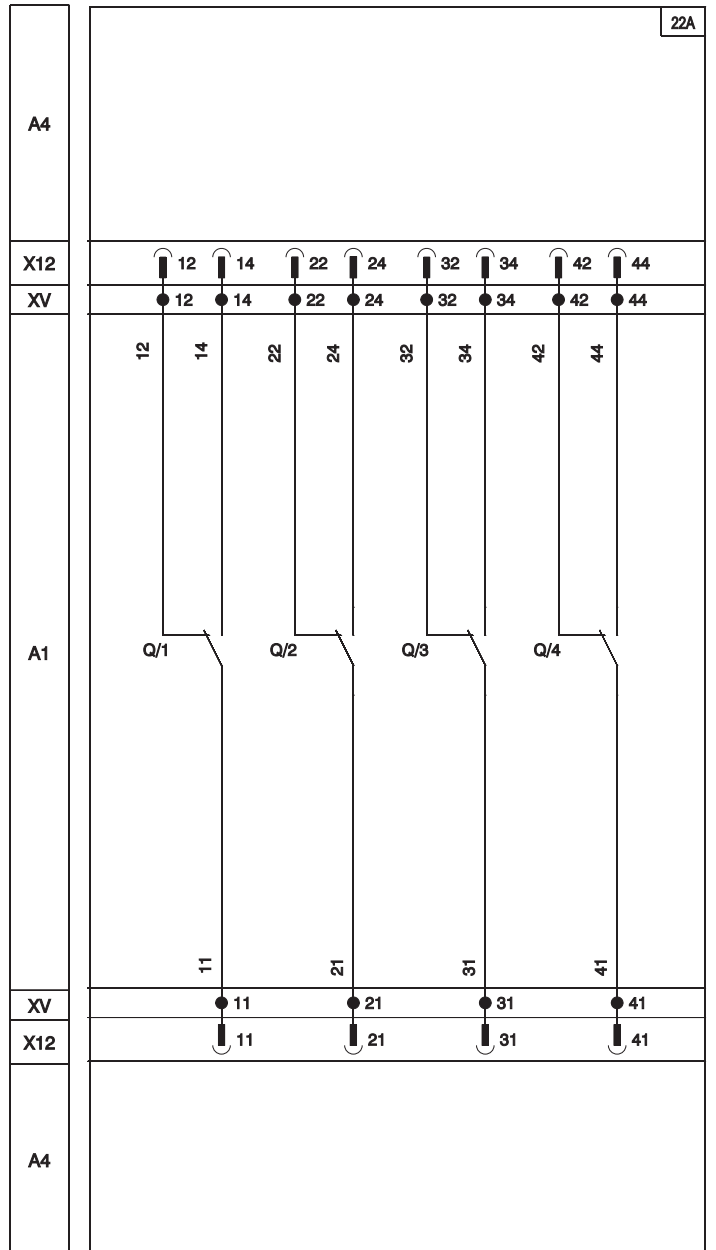




D T7-T7M-X1/2Q(Q2+Q3)

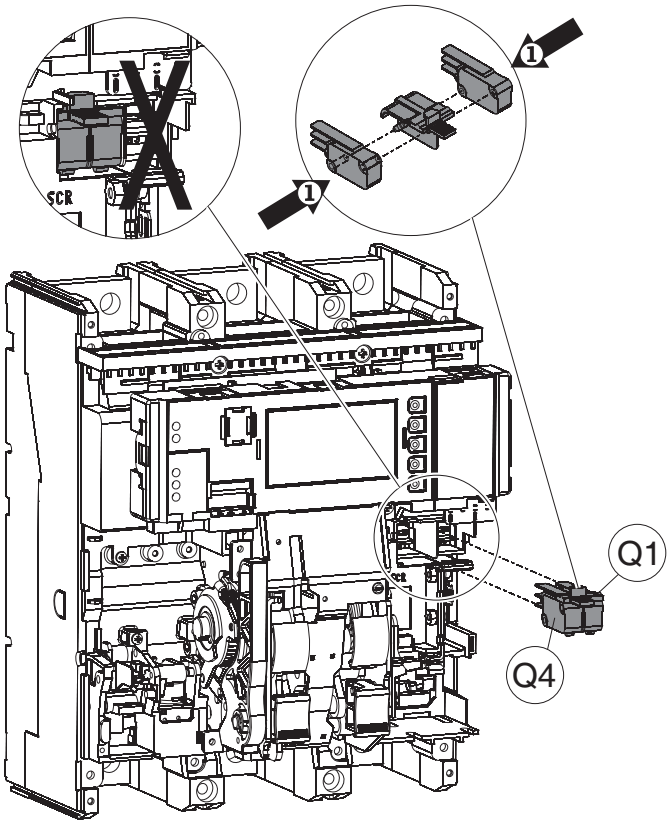


E T7-T7M-X1/2Q(Q2+Q3)



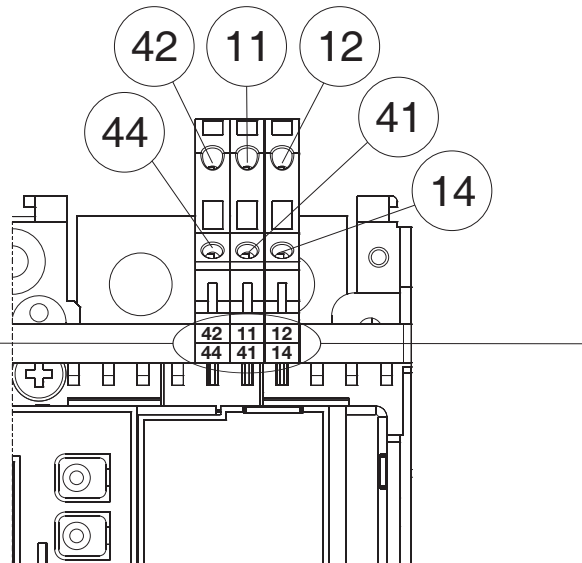
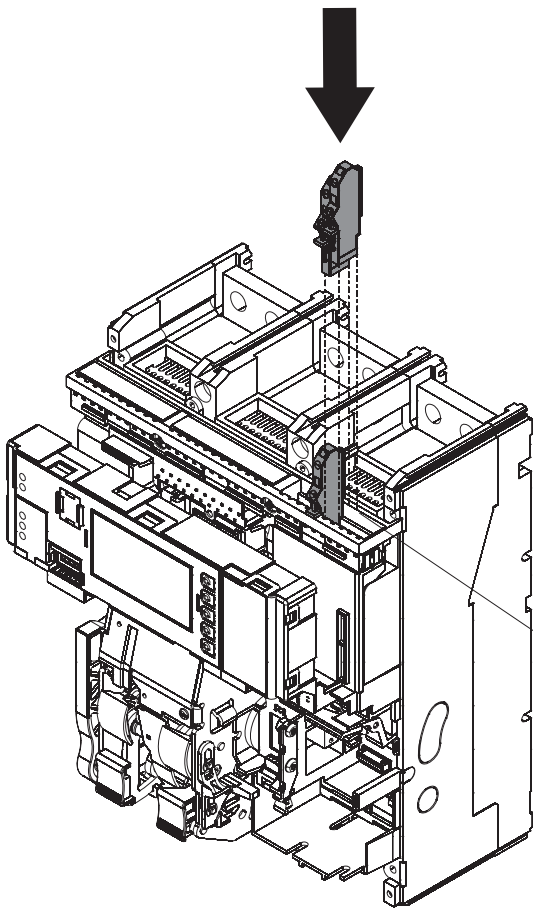
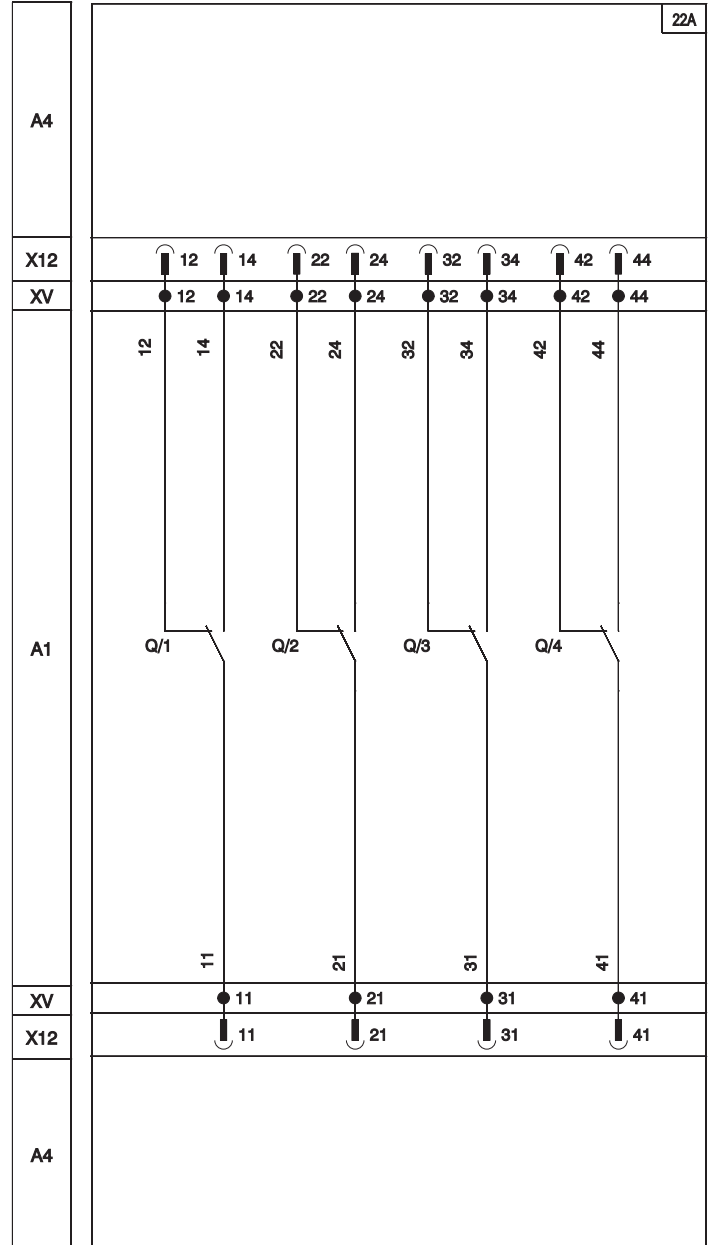
F

T7M-X1/2Q(Q4+Q1)



G

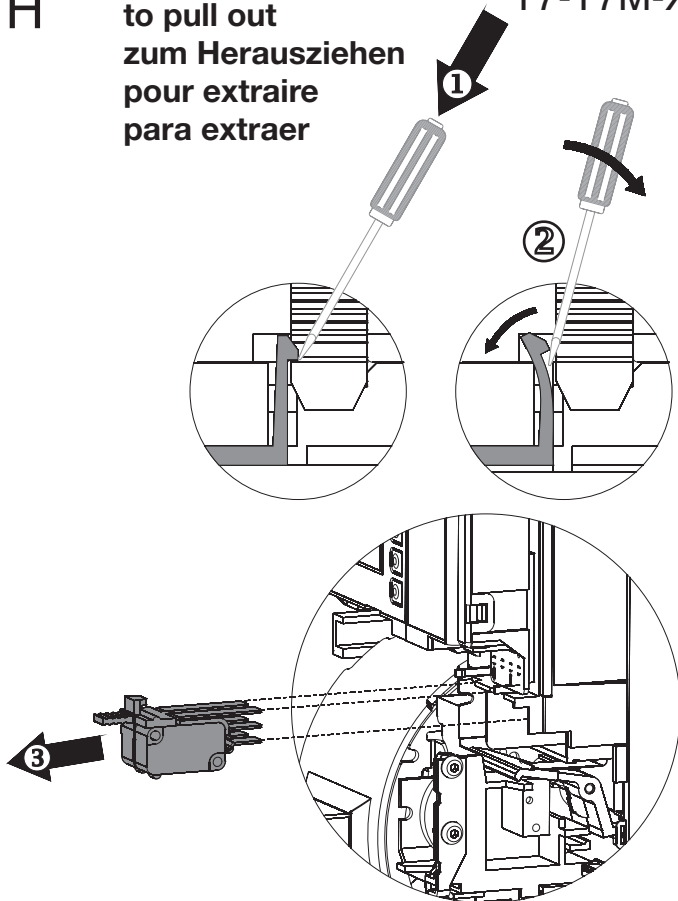
T7M-X1/2Q(Q4+Q1)



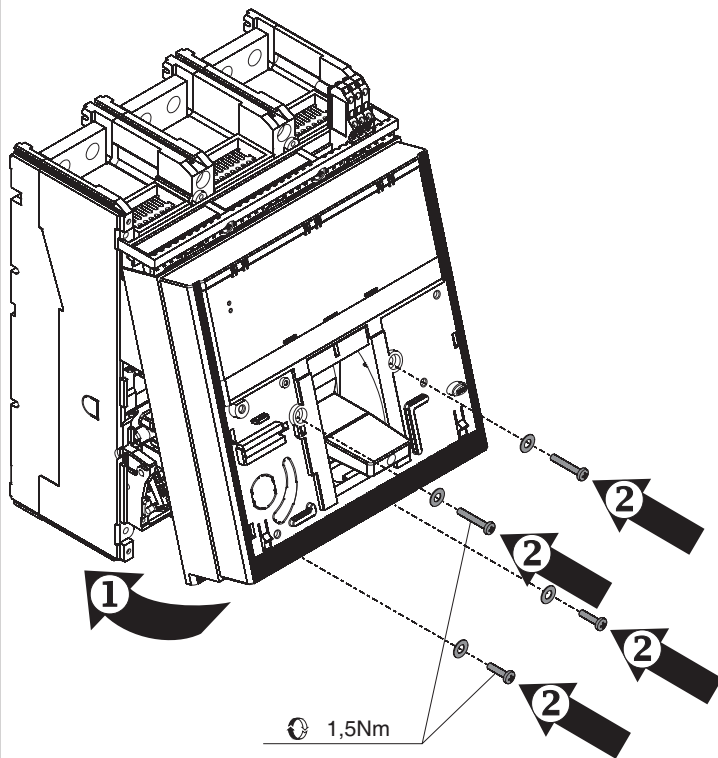
H

per estrarre
to pull out
zum Herausziehen
pour extraire
para extraer

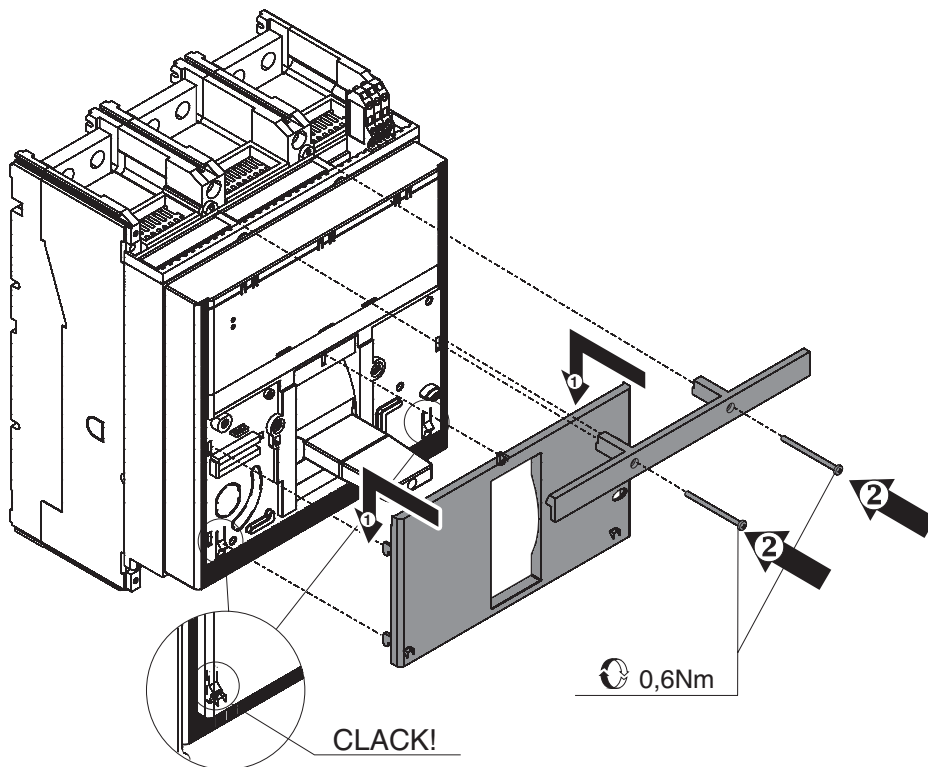
T7-T7M-X1

**I**

T7

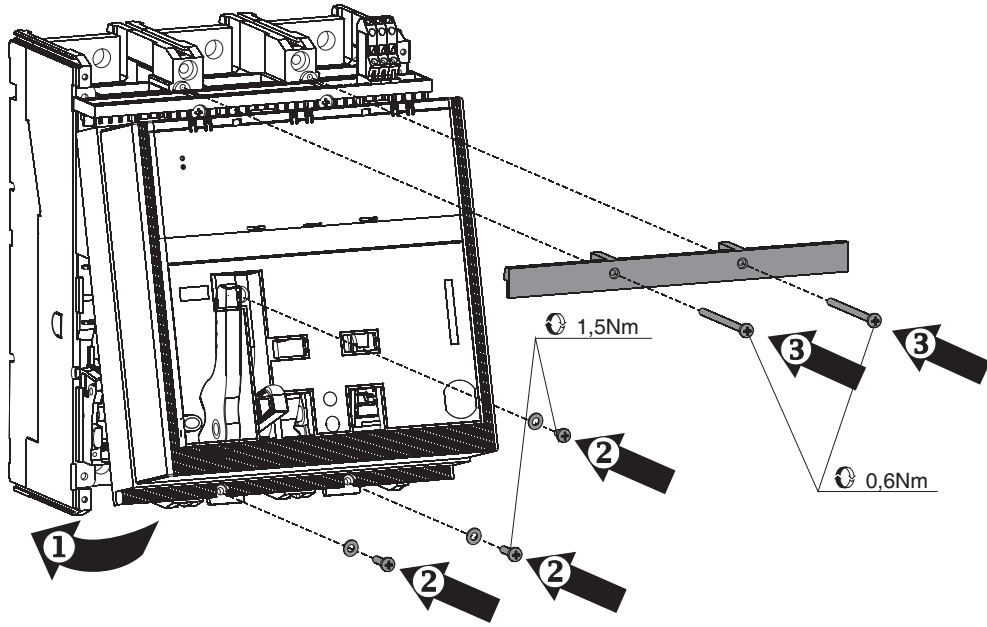
**J**

T7



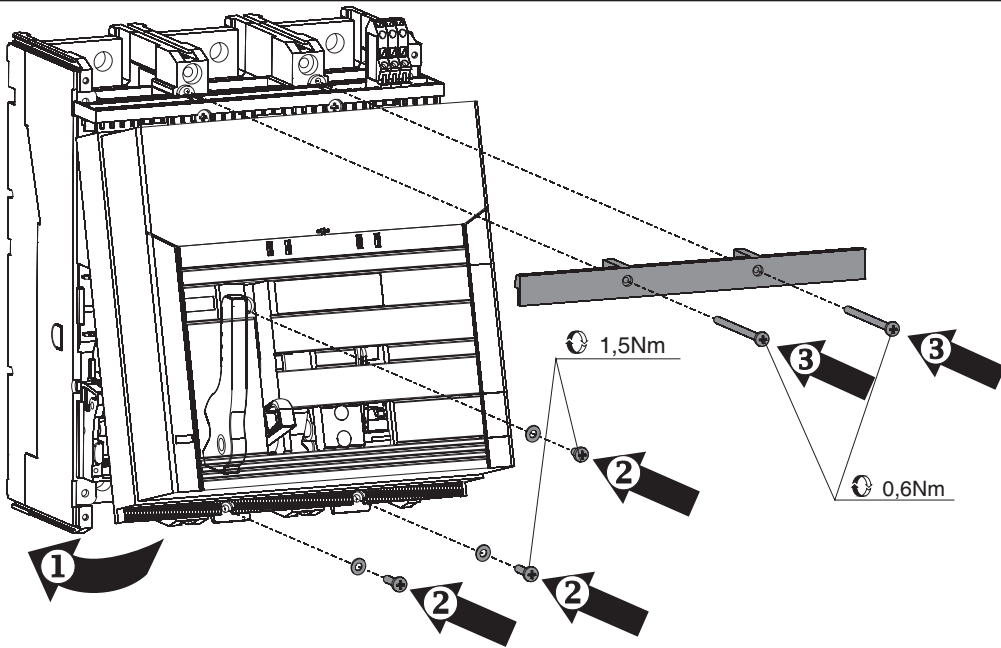
K

T7M



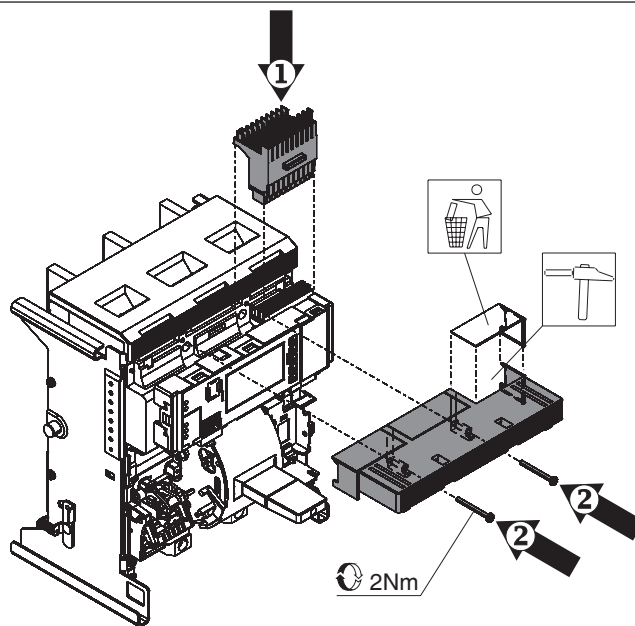
L

X1

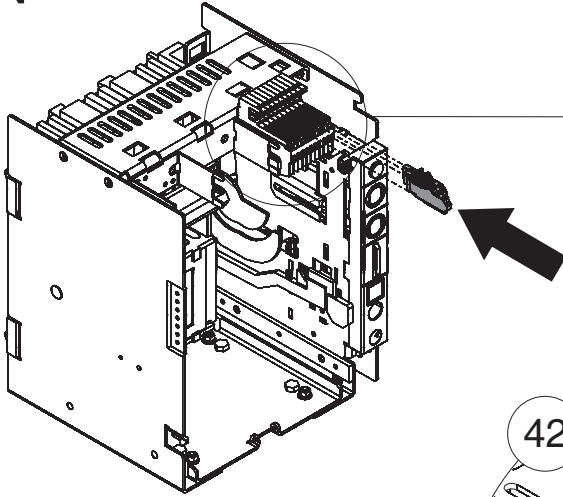


M

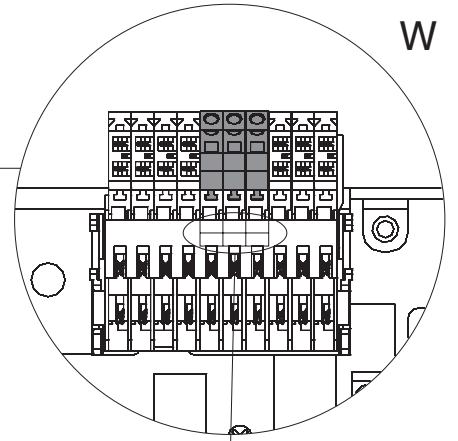
W



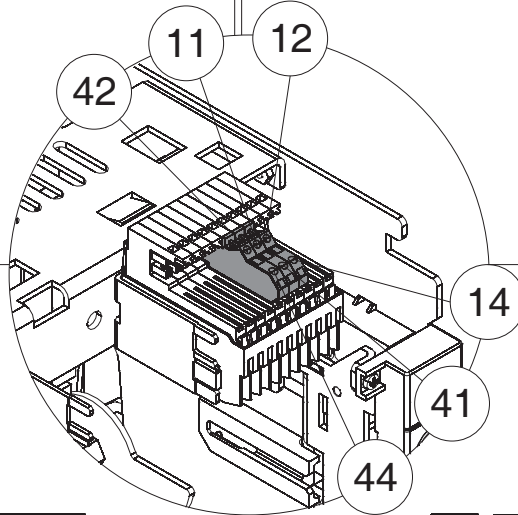
N



W

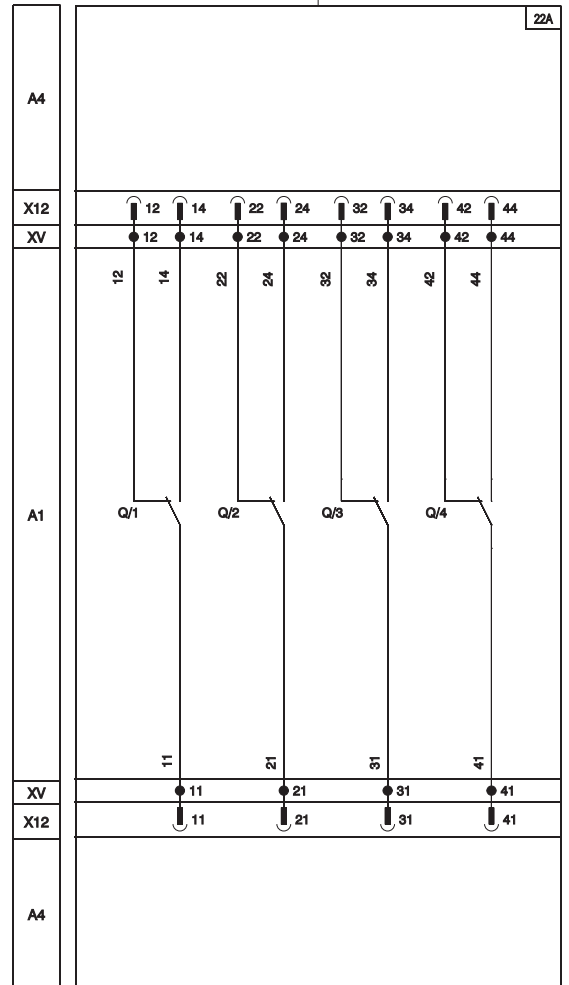
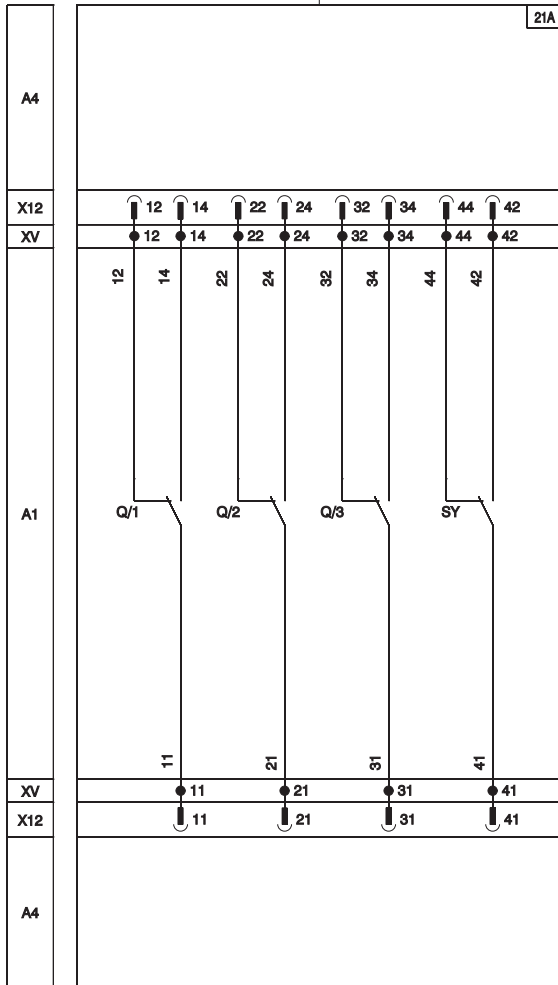


42	11	12
44	41	14

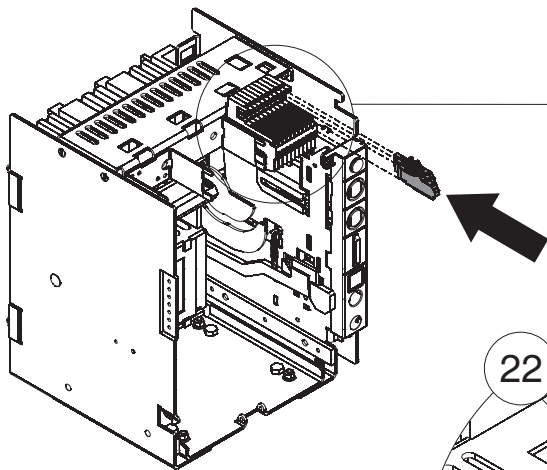


T7/SY+Q1

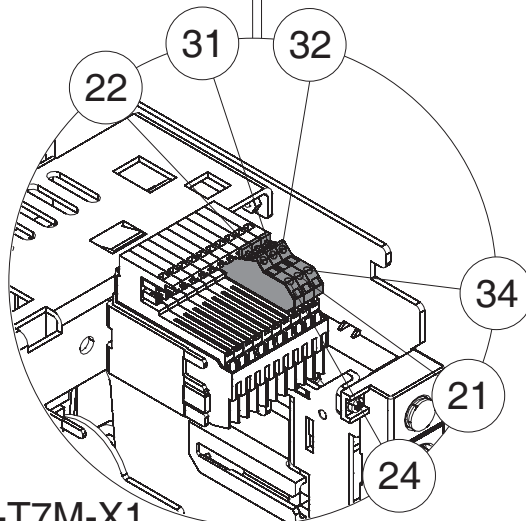
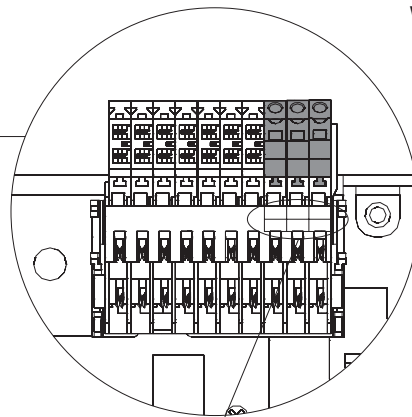
T7M-X1
2Q(Q4+Q1)



O

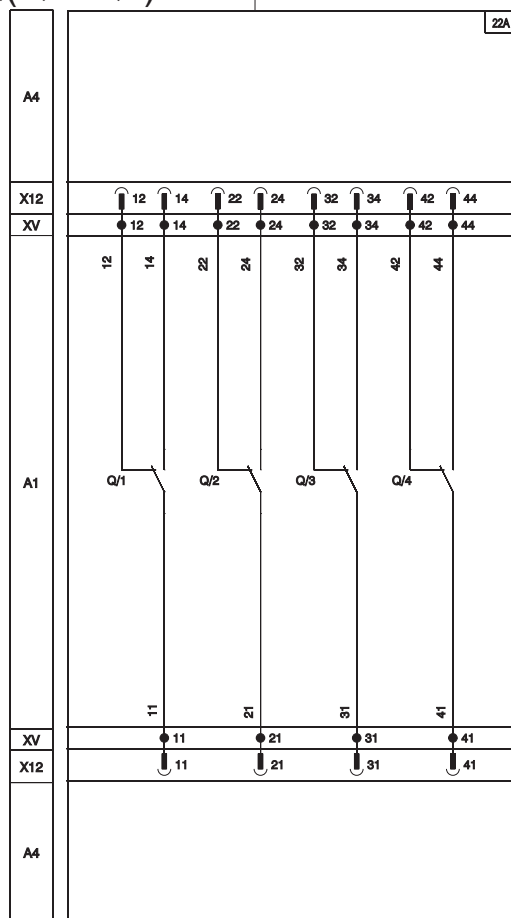


W



22	31	32
24	21	34

T7-T7M-X1
2Q(Q2+Q3)



ABB

ABB SACE S.p.A.

Via Baioni, 35

24123 Bergamo Italy

Tel.: +39 035 395.111 - Telefax: +39 035 395.306-433

<http://www.abb.com>