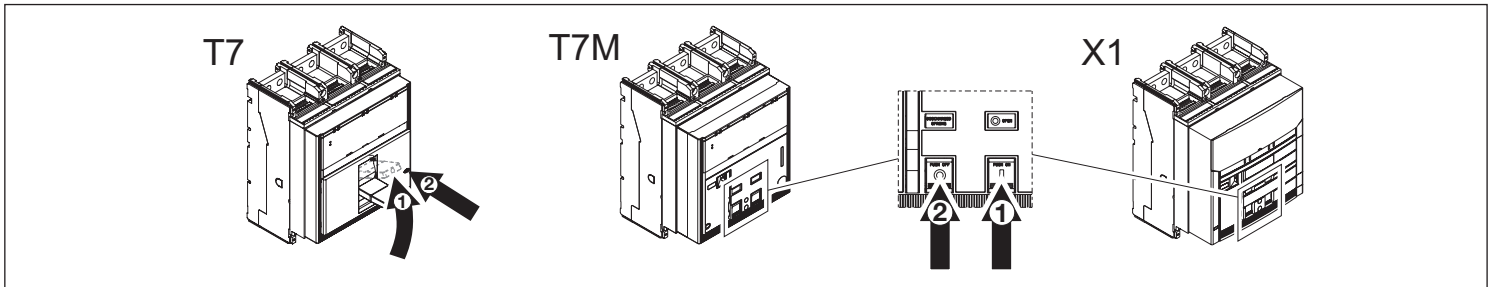


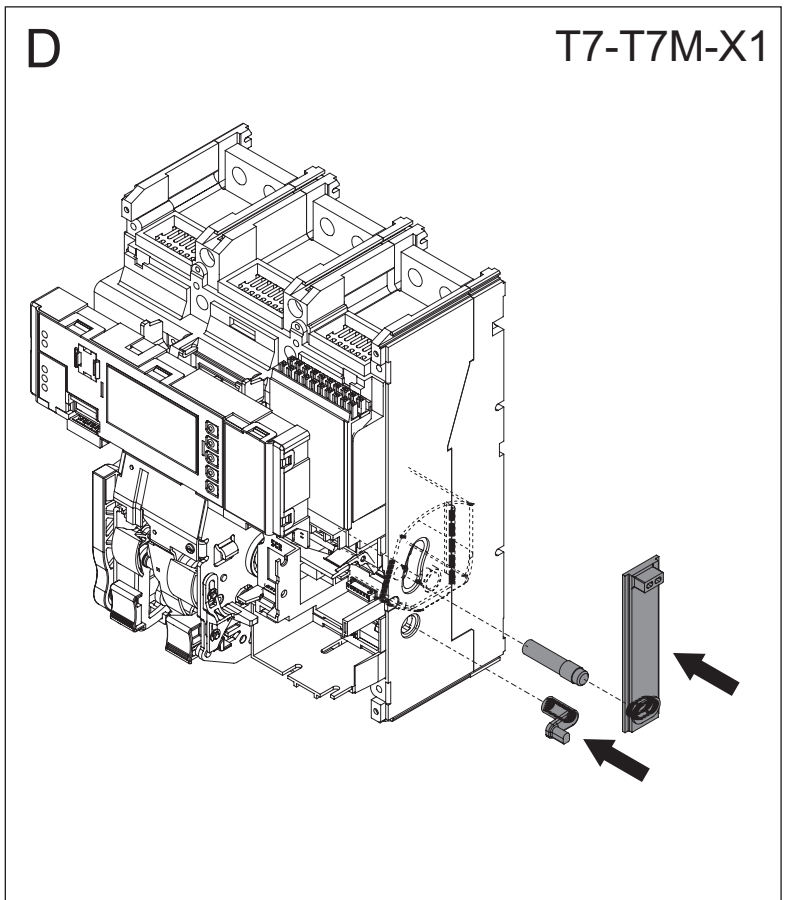
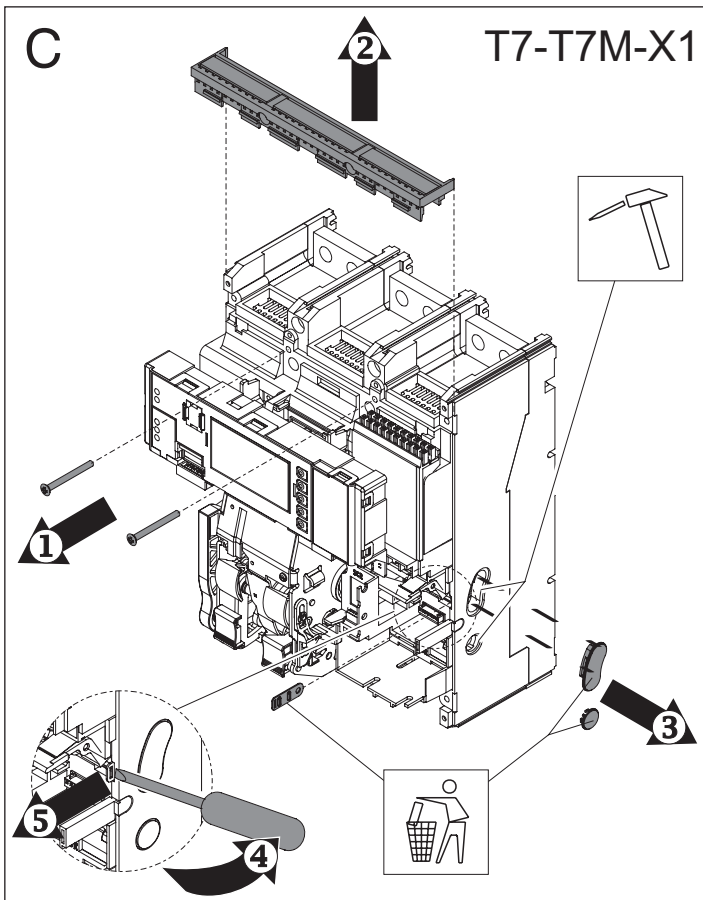
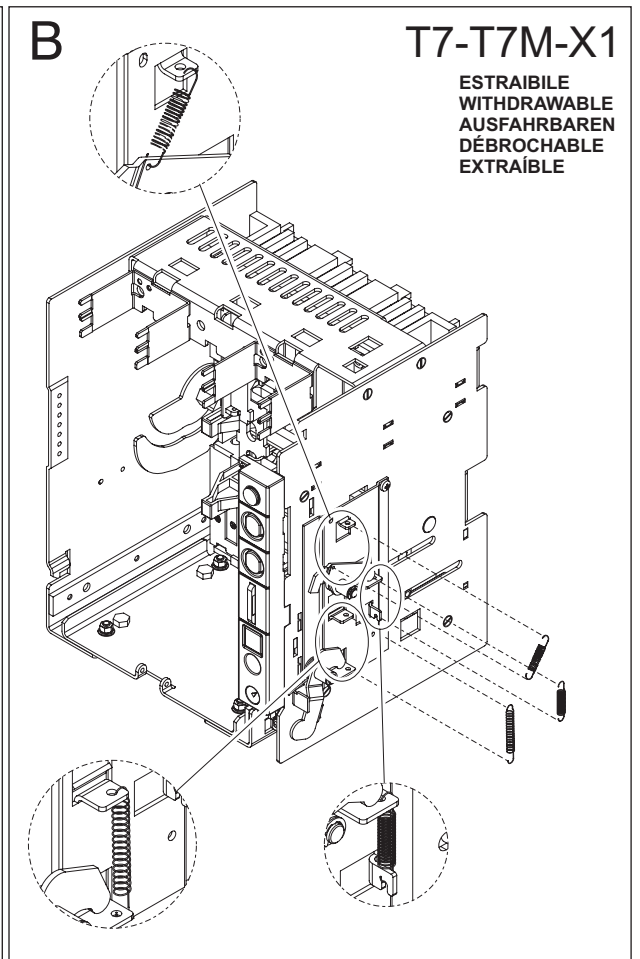
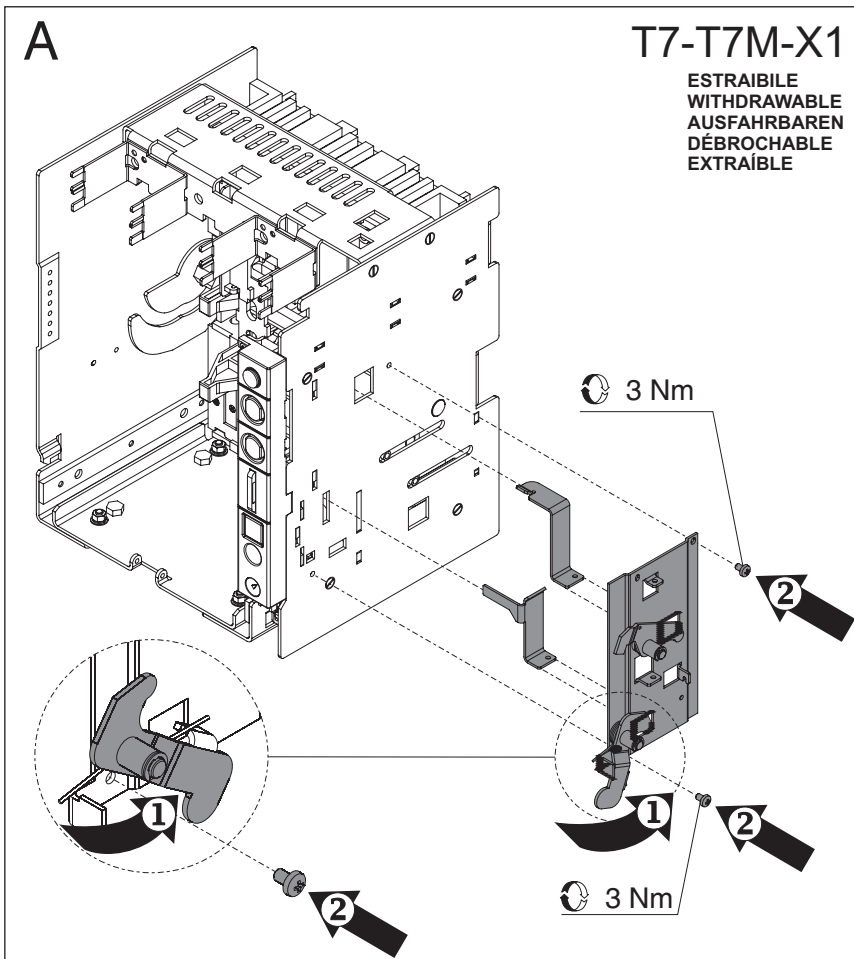
# Emax - Tmax

DOC. N.° 1SDH000529R0639 - L2836

Blocco meccanico porta della cella diretto T7-T7M-X1  
 Direct mechanical lock on compartment door T7-T7M-X1  
 Mechanische Verriegelung der Schaltfeldtür, direkt T7-T7M-X1  
 Verrouillage mécanique direct de la porte du compartiment T7-T7M-X1  
 Bloqueo mecánico puerta de la celda directo T7-T7M-X1

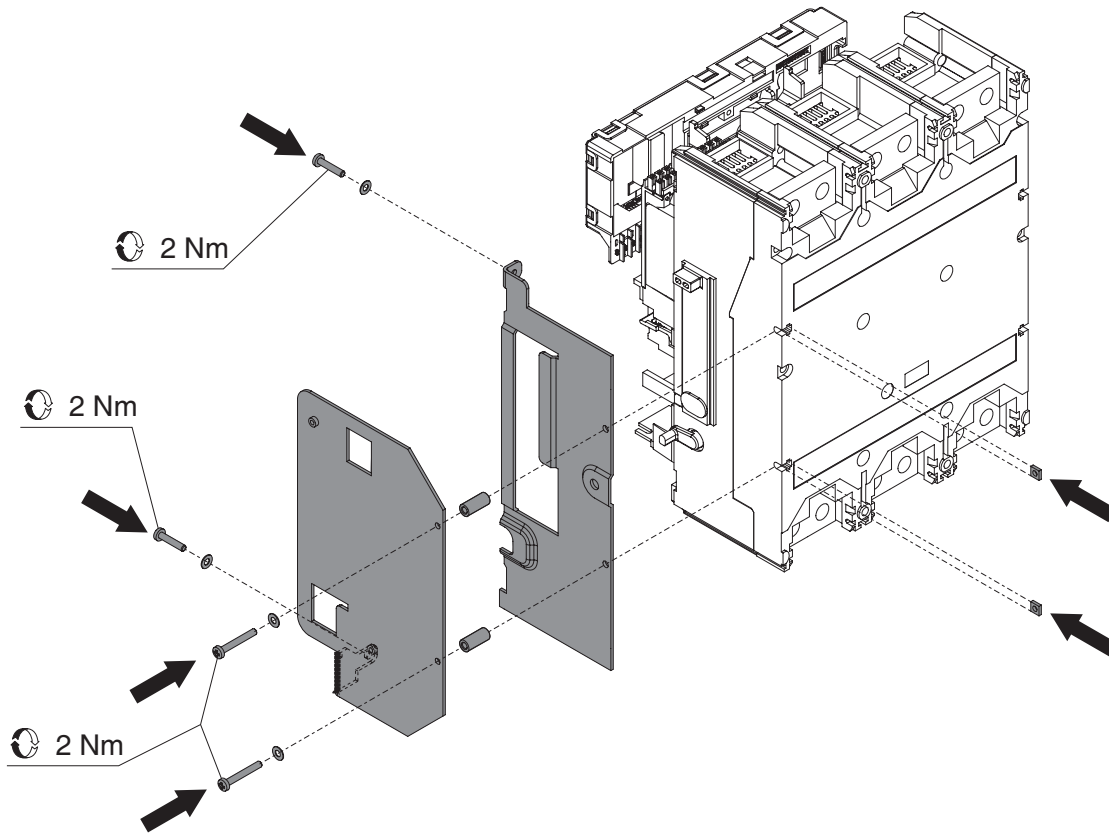


	ESTRAIBILE WITHDRAWABLE AUSFAHRBAREN DÉBROCHABLE EXTRAÏBLE	FISSO FISSAGGIO PARETE FIXED WALL-MOUNTED FEST, WANDMONTAGE FIXE, MONTAGE PAROI FIJO, FIJACIÓN DE PARED	FISSO FISSAGGIO PAVIMENTO FIXED FLOOR-MOUNTED FEST, BODENMONTAGE FIXE, MONTAGE SOL FIJO, FIJACIÓN DE PISO		ESTRAIBILE WITHDRAWABLE AUSFAHRBAREN DÉBROCHABLE EXTRAÏBLE	FISSO FISSAGGIO PARETE FIXED WALL-MOUNTED FEST, WANDMONTAGE FIXE, MONTAGE PAROI FIJO, FIJACIÓN DE PARED	FISSO FISSAGGIO PAVIMENTO FIXED FLOOR-MOUNTED FEST, BODENMONTAGE FIXE, MONTAGE SOL FIJO, FIJACIÓN DE PISO
	-	1	1		3	3	3
	-	1	1		1	-	-
	-	1	1		1	-	-
	-	1	1		1	1	1
	-	2	2		1	-	-
	-	1	-		2	-	1
	-	1	1		2	4	4
	-	1	1		2	2	2
	-	2	2		2	8	8
	-	2	2		-	-	1
	-	2	2				

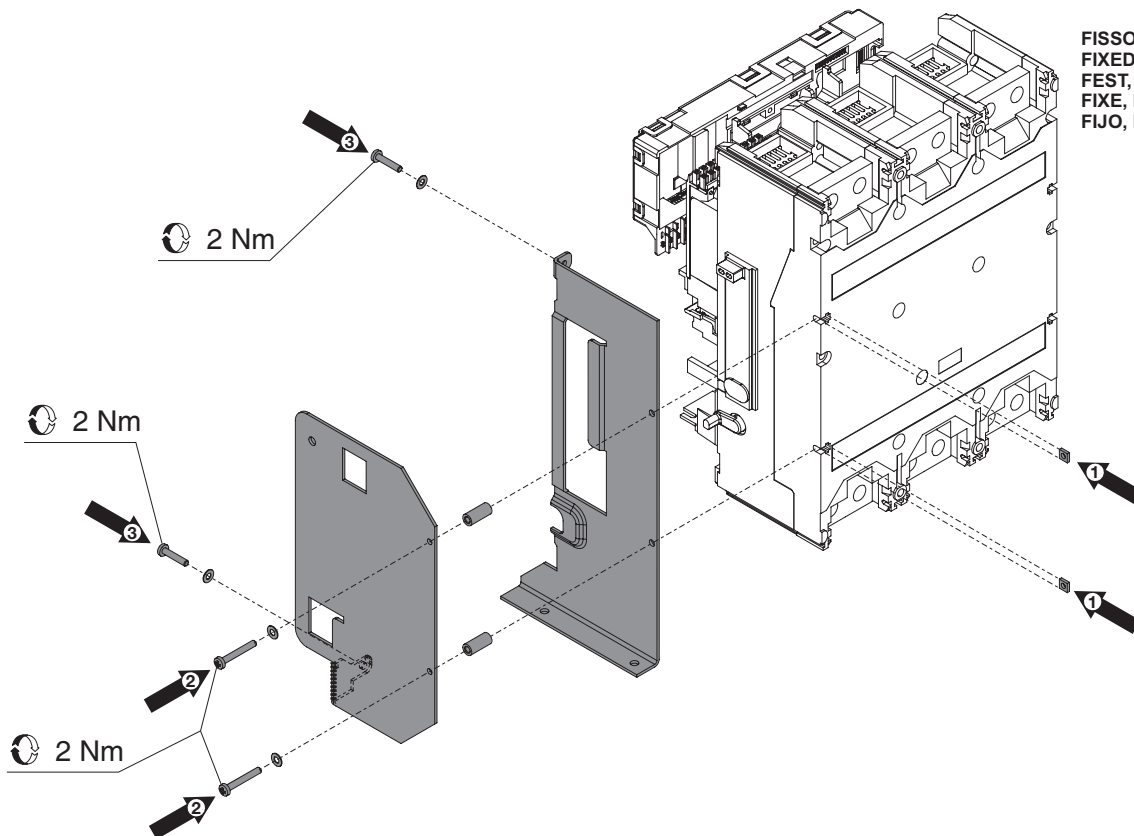


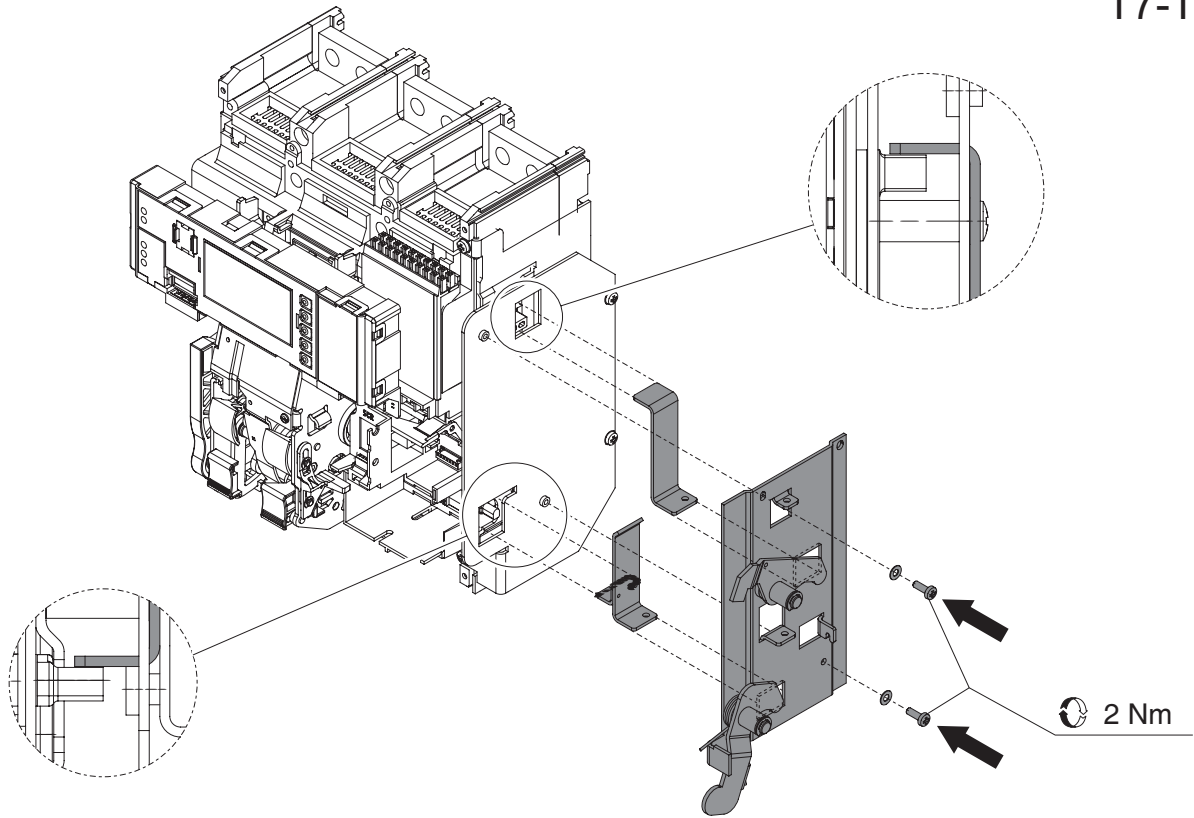
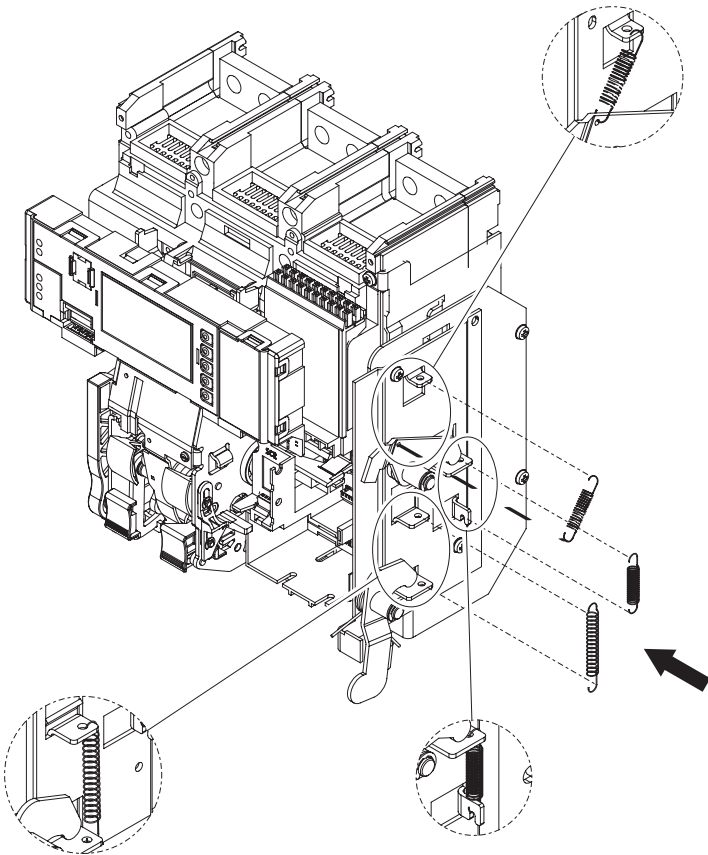
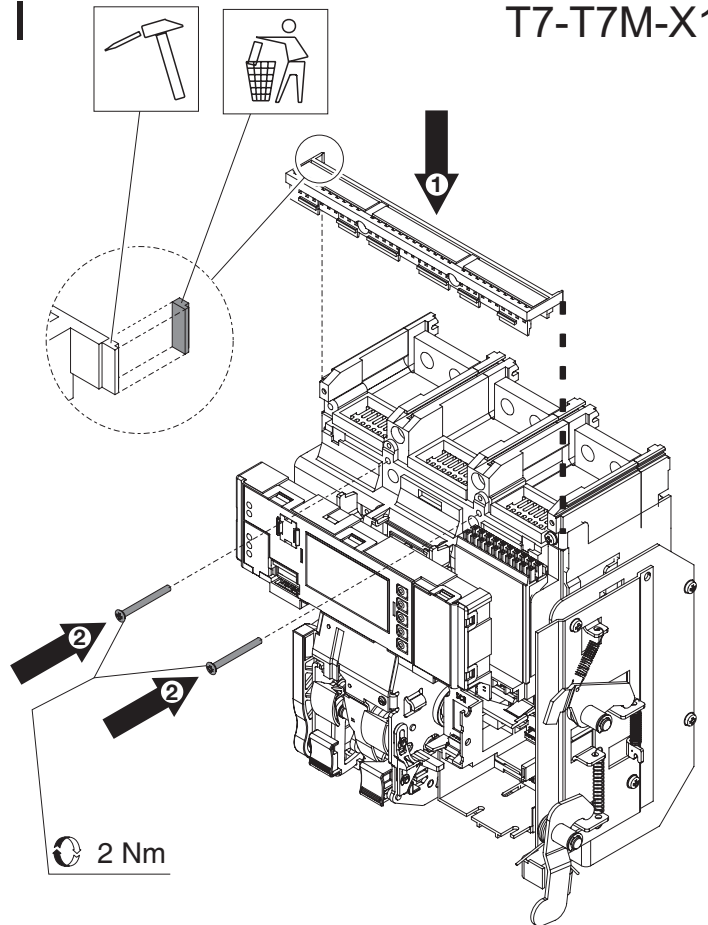
**E****T7-T7M-X1**

FISSO FISSAGGIO PARETE  
 FIXED WALL-MOUNTED  
 FEST, WANDMONTAGE  
 FIXE, MONTAGE PAROI  
 FIJO, FIJACIÓN DE PARED

**F****T7-T7M-X1**

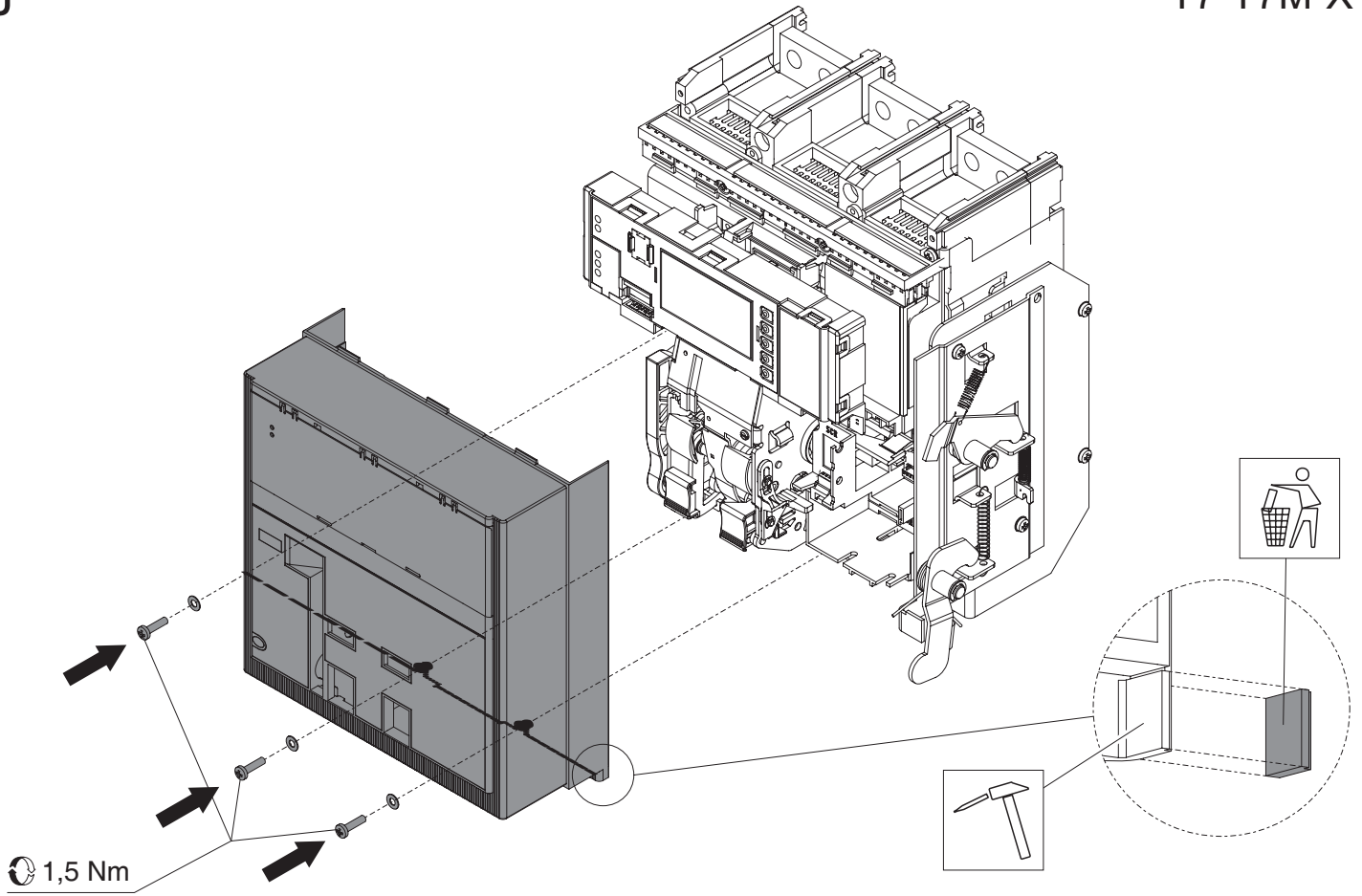
FISSO FISSAGGIO PAVIMENTO  
 FIXED FLOOR-MOUNTED  
 FEST, BODENMONTAGE  
 FIXE, MONTAGE SOL  
 FIJO, FIJACIÓN DE PISO



**G****T7-T7M-X1****H****T7-T7M-X1****I****T7-T7M-X1**

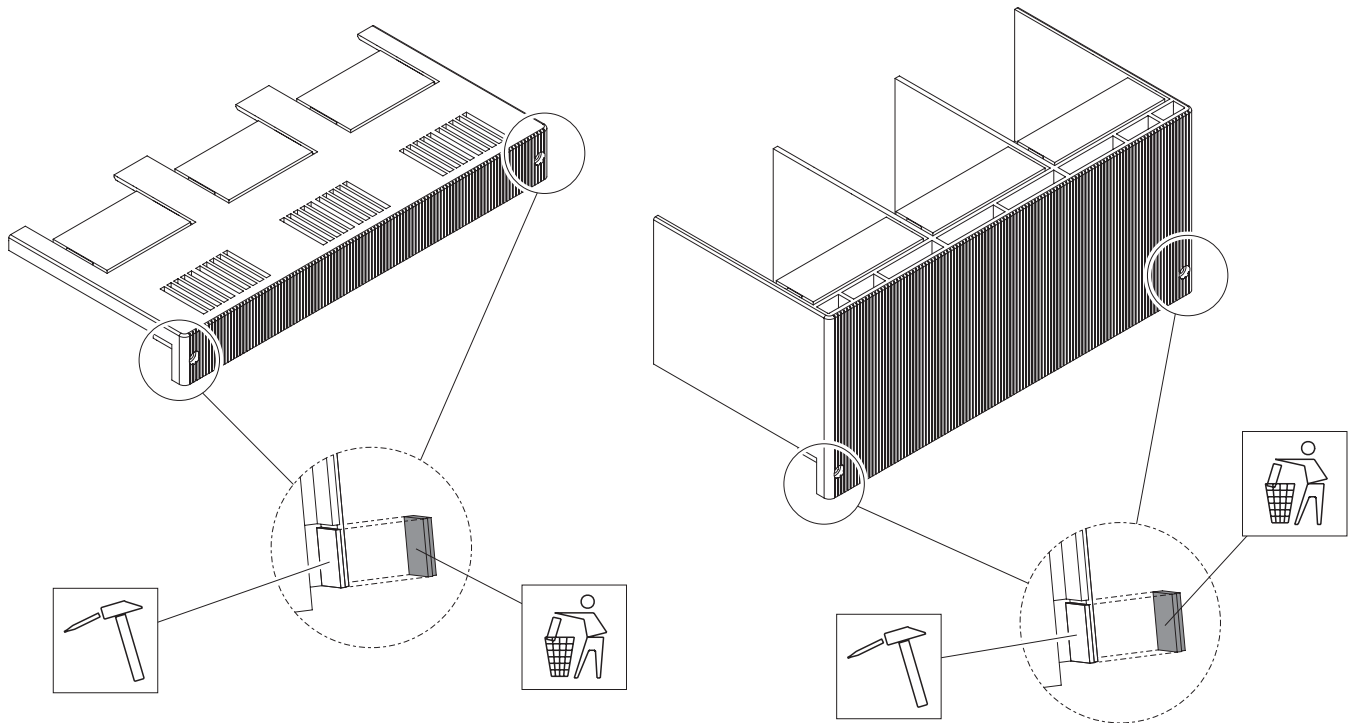
J

T7-T7M-X1

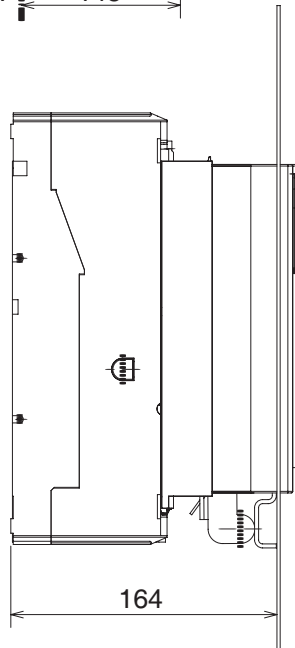
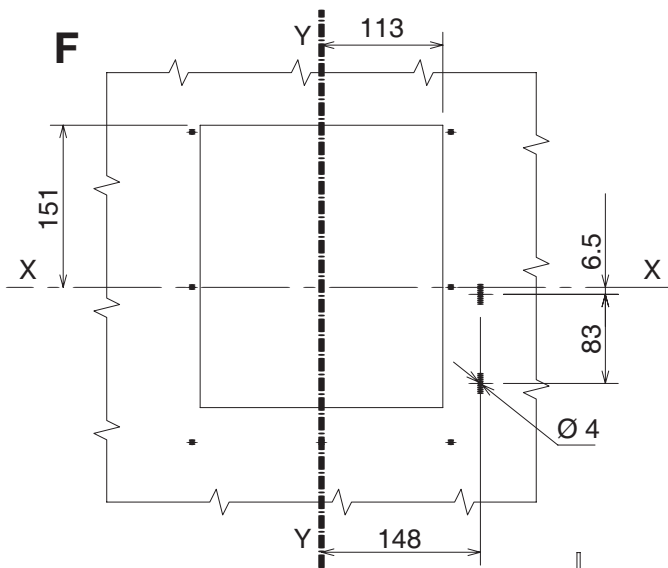
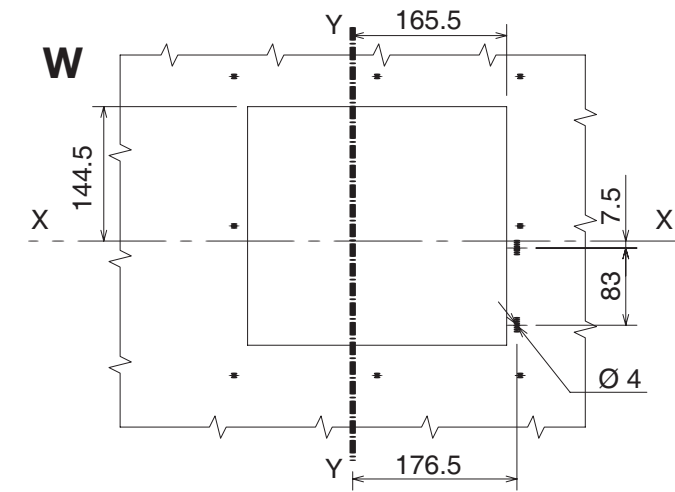
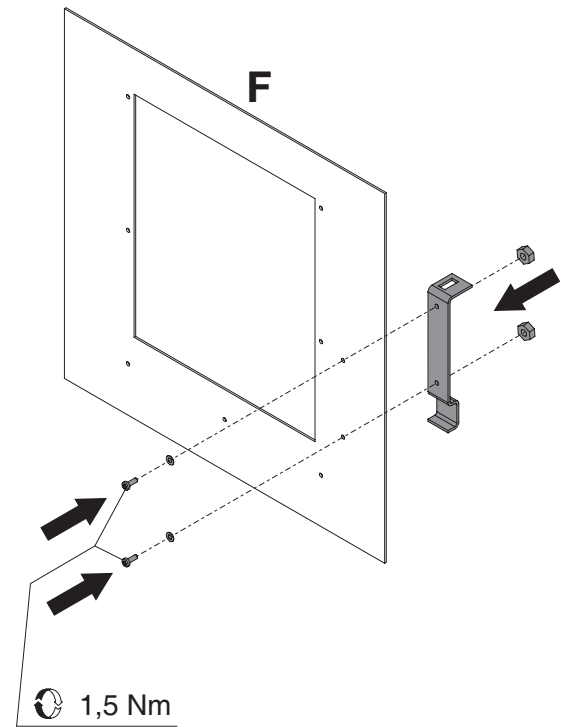
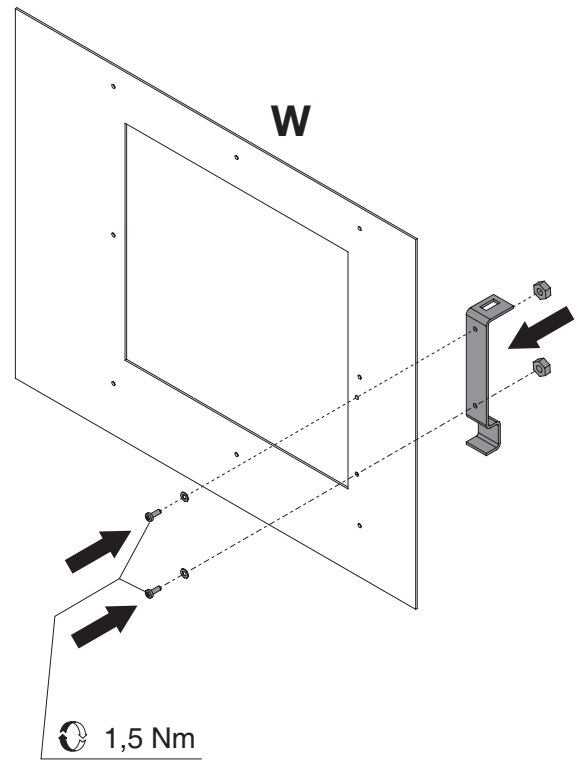


K

T7-T7M-X1



**ABB**

**L****T7-T7M-X1****M****T7-T7M-X1****ABB****ABB SACE S.p.A.**Via Baioni, 35  
24123 Bergamo Italy

Tel.: +39 035 395.111 - Telefax: +39 035 395.306-433

<http://www.abb.com>