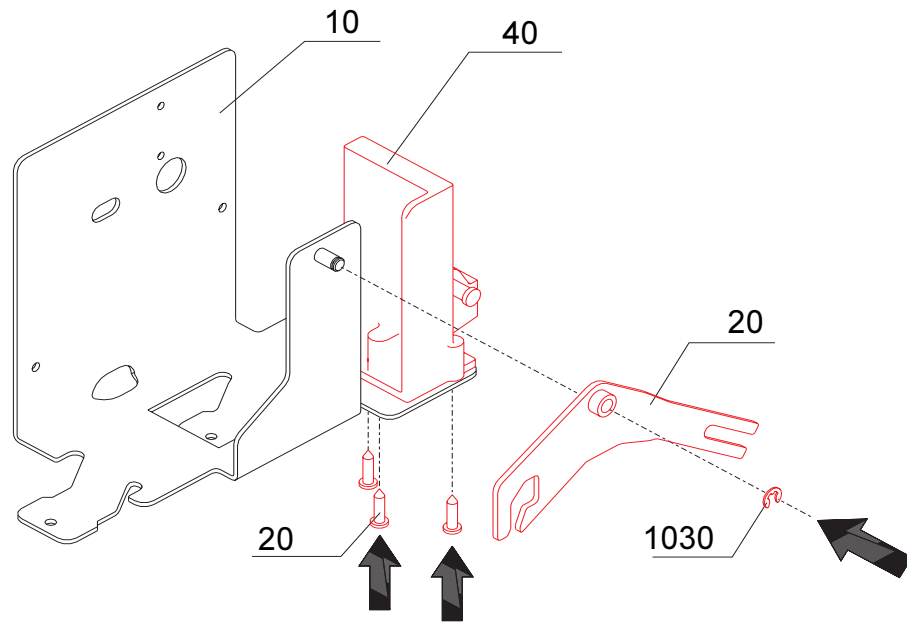
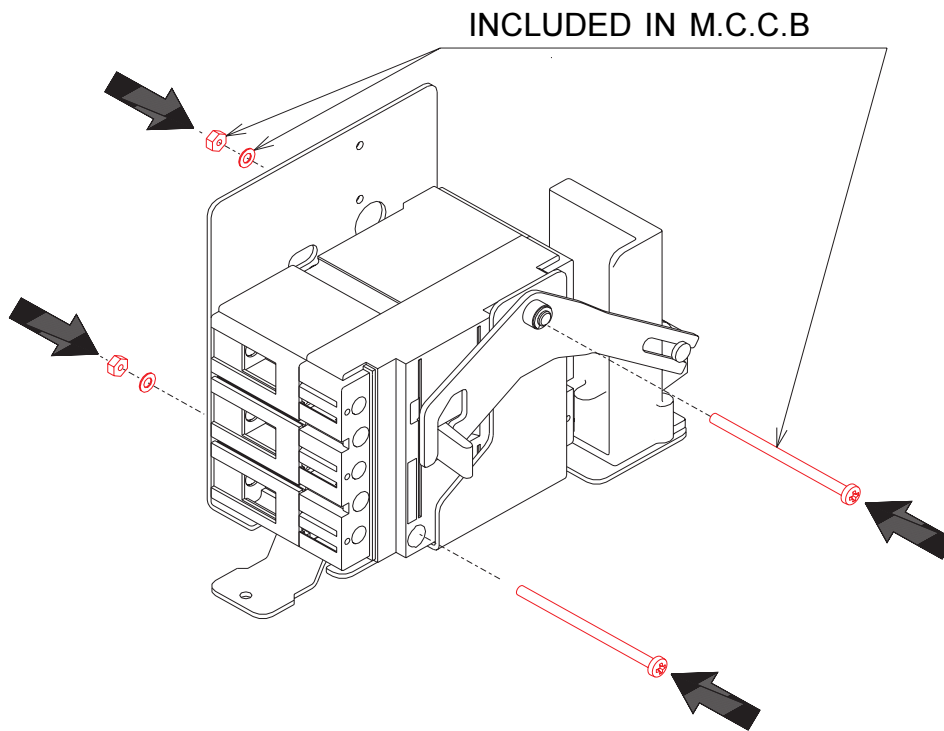


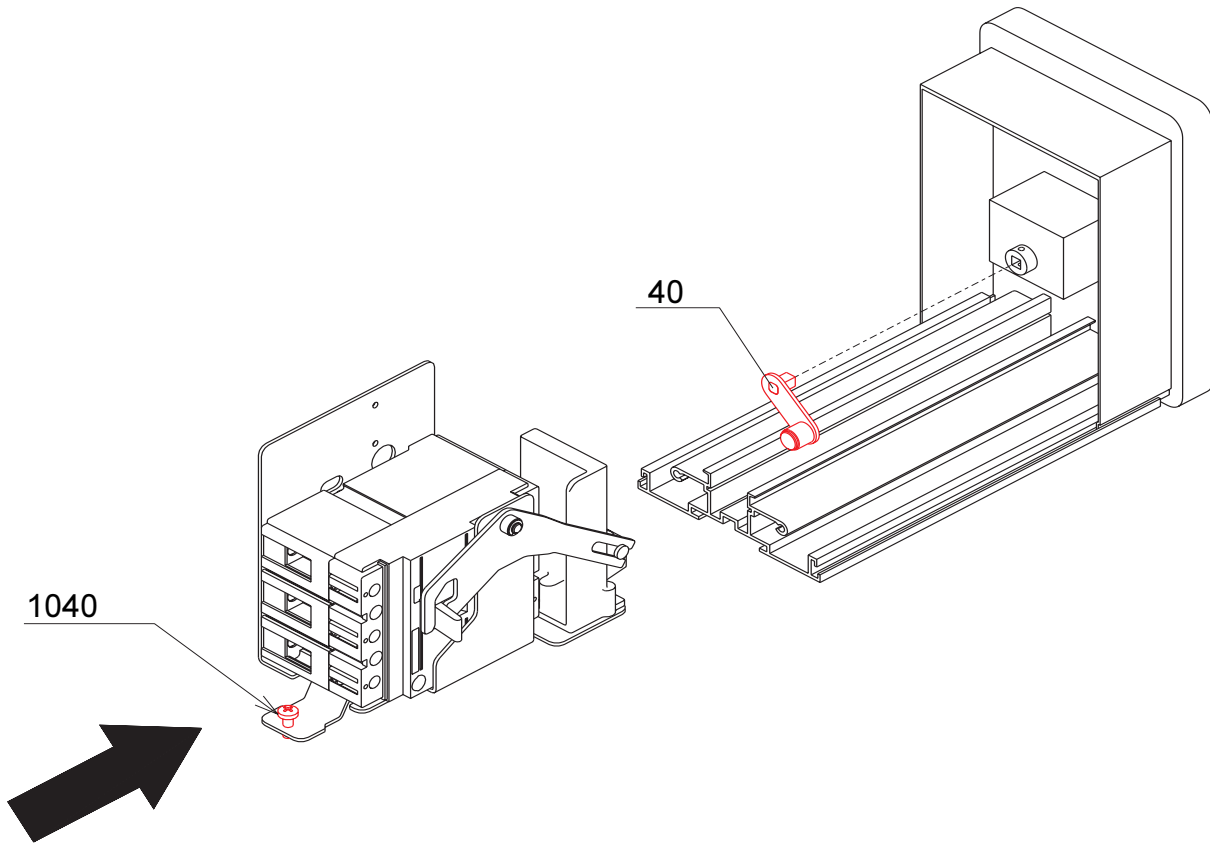
# MNS operating mechanism



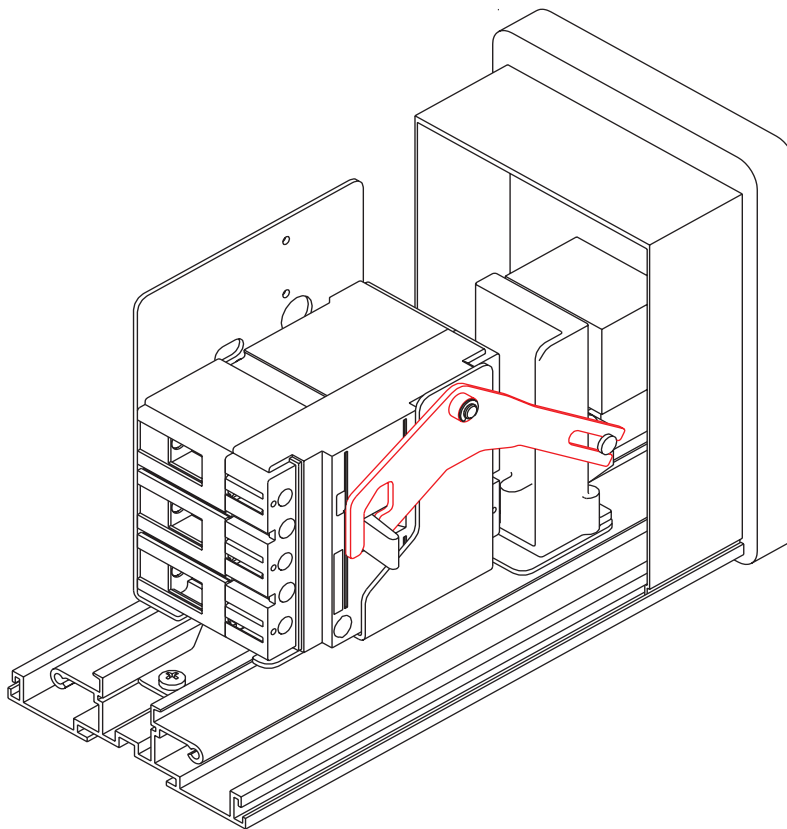
**A**



**B**



C



D

<b>ABBSACE</b>	<b>ABB</b>	<b>SACE MNS</b>	<b>RH0103.001</b>	<b>L0478</b>	<b>2/2</b>
----------------	------------	-----------------	-------------------	--------------	------------