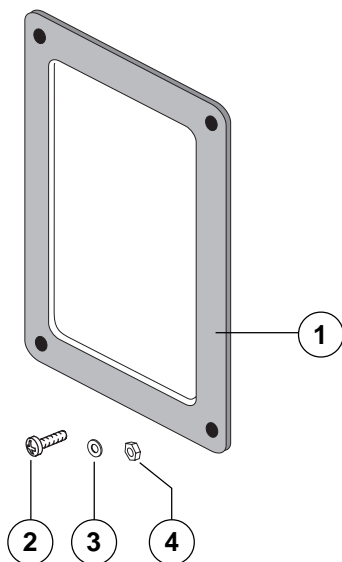


**MOSTRINA PER PORTA DELLA CELLA  
FLANGE FOR COMPARTMENT DOOR  
ABDECKRAHMEN FÜR DIE SCHALTFELDTÜR  
GARNITURE POUR PORTE DU COMPARTIMENT  
MARCO PARA PUERTA DE LA CELDA**

**KIT** 605036/601 L0454

**SACE S8**



POS. ITEM POS. POS.	CONTENUTO	CONTENTS	INHALT	CONTENU	CONTENIDO	QUANTITÀ QUANTITY ANZAHL QUANTITE CANTIDAD
1	Mostrina	Flange	Abdeckrahmen	Guarniture	Marco	1
2	Vite M4 x 12	M4 x 12 screw	M4 x 12 Schraube	Vis M4 x 12	Tornillo M4 x 12	4
3	Rondella	Washer	Unterlegscheibe	Rondelle	Arandela	4
4	Dado	Nut	Mutter	Ecrou	Tuerca	4

**ISTRUZIONI**

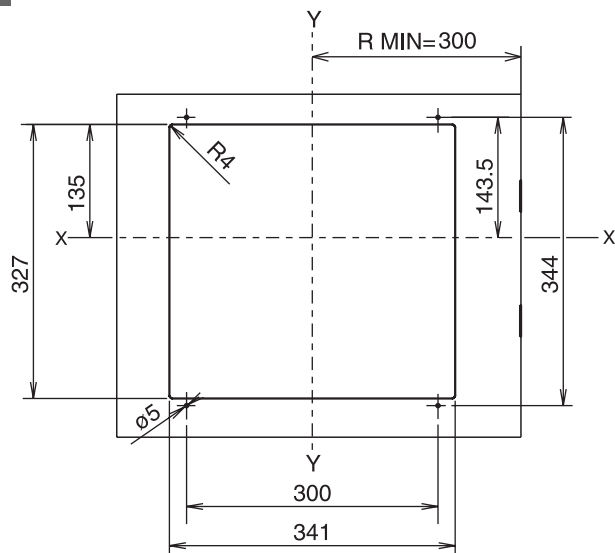
**INSTRUCTIONS**

**ANWEISUNGEN**

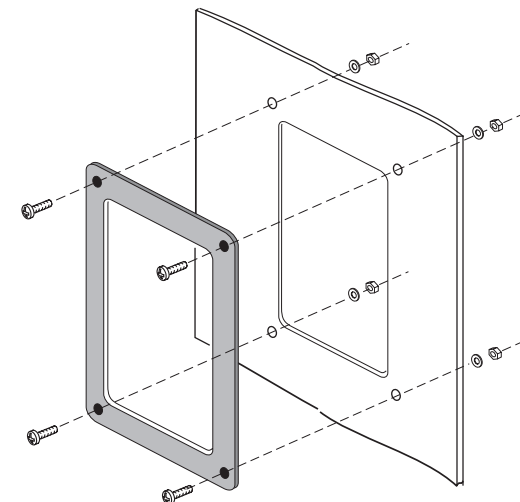
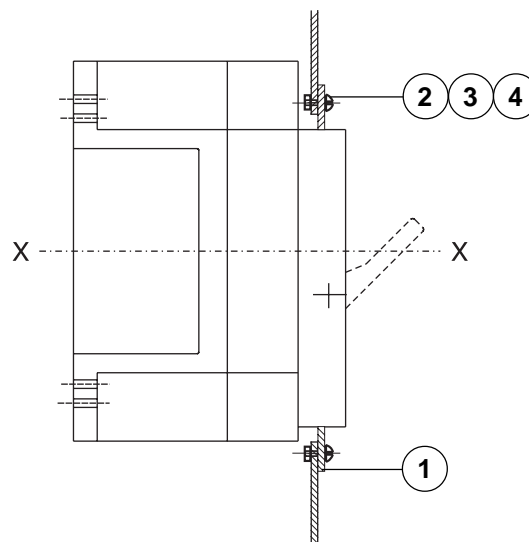
**INSTRUCTIONS**

**INSTRUCCIONES**

**A**



**B**



**A**

**Operazioni preliminari**  
Foratura della cella.

**A**

**Preliminary operations**  
Drilling of compartment door.

**A**

**Vorbereitende Maßnahmen**  
Bohrung des Schaltfelds

**A**

**Opérations préliminaires**  
Perçage du compartiment

**A**

**Operaciones preliminares**  
Taladrado de la celda

**B**

**Montaggio**  
Montare la mostrina 1, fissarla con le viti 2 (coppia di serraggio = 1,1 Nm), rosette 3 e dadi 4.

**B**

**Installation**  
Fit the flange 1 and fix it in place with screws 2 (tightening torque = 1.1 Nm), washers 3 and nuts 4.

**B**

**Montage**  
Abdeckrahmen 1 einsetzen, mit den Schrauben 2 (Anzugmoment = 1,1 Nm), den Unterlegscheiben 3 und den Muttern 4 befestigen.

**B**

**Montage**  
Monter la garniture 1, la fixer avec les vis 2 (couple de serrage = 1,1 Nm), les rondelles 3 et les écrous 4.

**B**

**Montaje**  
Montar el marco 1, sujetarlo con los tornillos 2 (par de apriete = 1,1 Nm), las arandelas 3 y las tuercas 4.

**ABB**

ABB SACE S.p.A  
L.V. Breakers Division  
Via Baioni, 35 - 24123 Bergamo - Italy  
Tel.: +39 035.395.111 - Telefax: +39 035.395.306-433  
<http://www.abb.com>

Due to possible developments of standards as well as of materials, the characteristics and dimensions specified in the present catalogue may only be considered binding after confirmation by ABB SACE.